

**A ALTEST**<sup>®</sup>  
ALUMINIUM PROFILES SYSTEMS

**ESKIMOS**



  
**ALTEST**<sup>®</sup>  
Ltd.

**gasket for glass**

**glassholder**

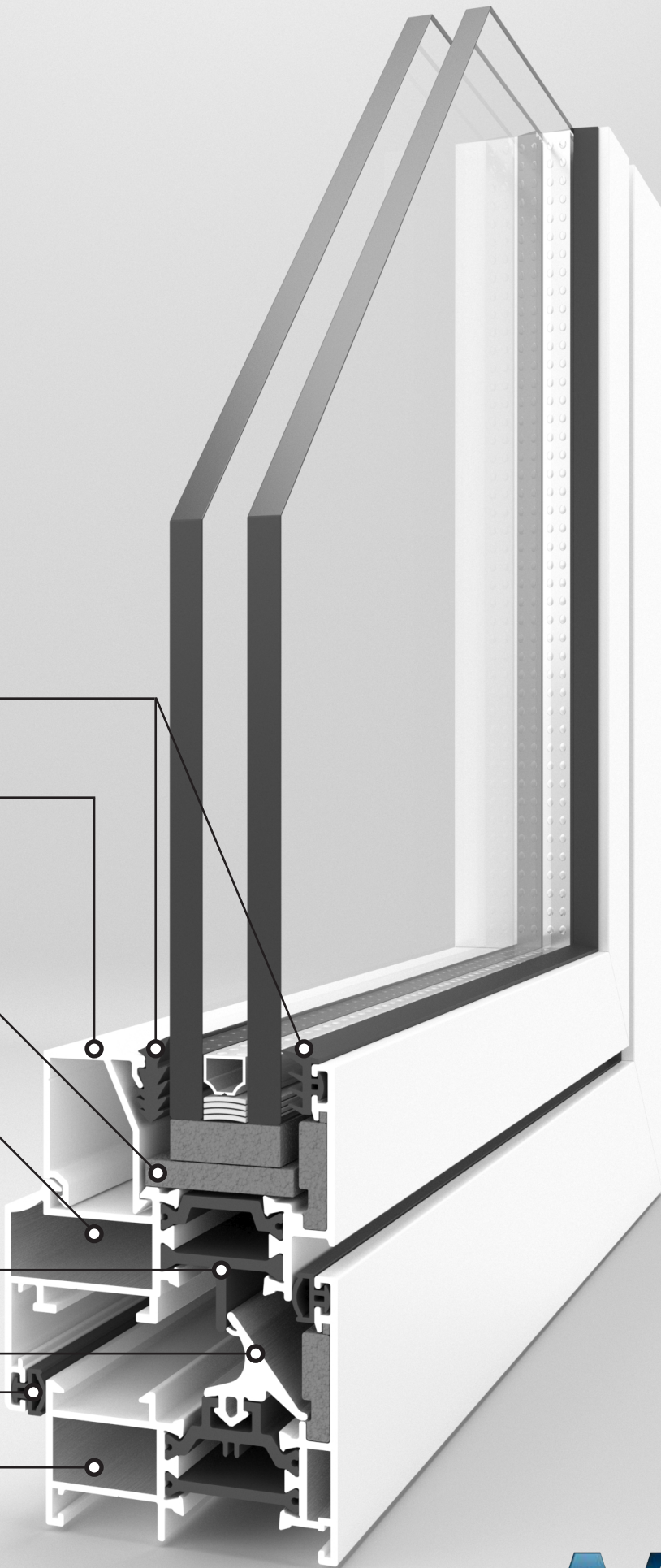
**padding**

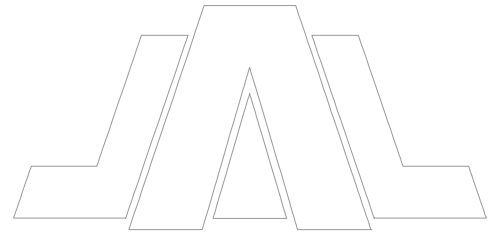
**sash**

**polyamide profile**

**central gasket  
gasket**

**frame**





# ***INTRODUCTION***

## **INTRODUCTION**

**"ESKIMOS" system by ALTEST is 53,00 mm aluminium series designed according to European standard and comfortable to requirements and dimensions of the hardware- hinges, locks and etc.**

**"ESKIMOS" is a thermal break series with 24 mm polyamide on the frame profile and 20-22mm for the sash. The system consists of wide composition of profiles suitable for any kind of solutions. It is designed to fulfil exterior and interior architectural choices , whenever thermal break is required.**

**"ESKIMOS" series is a suitable solution for different versions of opening and fixed systems.**

**The plentiful range of profiles, modern accessories and EPDM gaskets guarantee the perfect draining and faultless performance in different situations. The series is also suitable for tilt and turn mechanism. Versions of fixed, vertical and horizontal opening windows as well as fixed and opening sections doors are practicable.**

**"ESKIMOS" system is also compatible with PVC window hardware. So it makes it easier to be manufactured.**

**"ESKIMOS" series is based on work with three seal gaskets- central , outer and inner ( the central one is specially designed for the series).**

**This system allows the usage of 20 to 38 mm glazing , also 10mm single glass. Of course, variable design elaborations are possible, due to wide variety of frames, sashes and other auxiliary profiles. „ESKIMOS" is a modern aluminium system, satisfying the latest architectural tendencies of doors and windows ,where thermo-insulation is needed. These advantages allow the system to be integrated in different buildings and all kind of wether conditions.**

**The profiles can be painted in all range of RAL colours, as well as anodization , sublimation and lamination.**

**ALTEST series "ESKIMOS" are extruded from the following alloys: EN AW-6060 (Al Mg Si) and EN AW 6063 (Al Mg<sub>0,7</sub> Si).**

**The properties of alloy EN AW-6063 are:**

**\*Ultimate tensile strength-  $R_m = 210 \text{ N/m}^2$**

**\*Yield strength-  $R_{p0,2} = 160 \text{ N/m}^2$**

**\*Modulus of elasticity-  $E_{a1} = 70\,000 \text{ N/mm}^2 = 7 \cdot 10^9 \text{ kg/m}^2$**

**\*Coefficient of thermal expansion:  $\alpha = 0.023 \text{ mm/m} \cdot \text{K}$  (up to 1.2 mm/m for difference up to 50 °)**

## **INTRODUCTION**

**According to European Standard: Scheme „3“, described in Annex ZA of BDS EN 14351-1, „ESKIMOS“ system has the following technical characteristics:**

**\*Watertight integrity / static pressure/ : Class 5A**

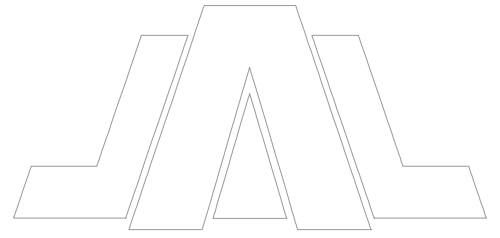
**\*Wind resistance: Class C2**

**\*Carrying capacity of the shield devices/at load/: Class 4**

**\*Index of insulation from airborne acoustical noise emissions:**

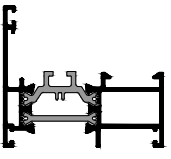
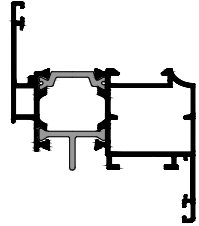
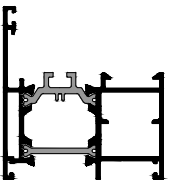
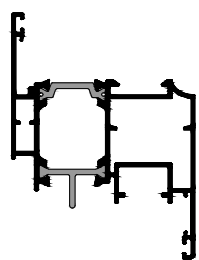
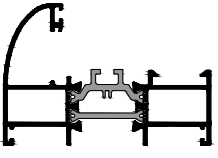
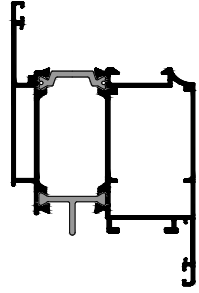
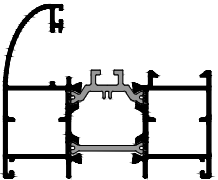
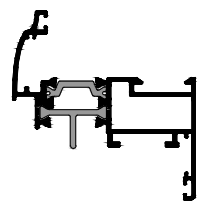
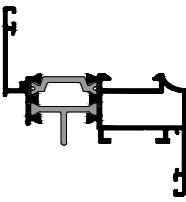
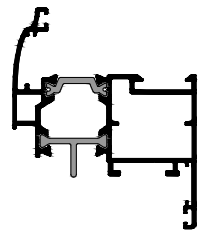
**$R_w(C;C_{tr})=37(-3;-3)$  dB**

**\*Thermal transmittance values :  $U=1,15W/(m^2.K)$**



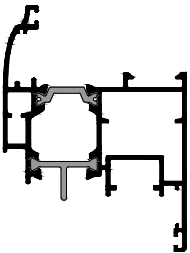
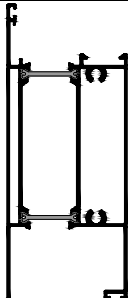
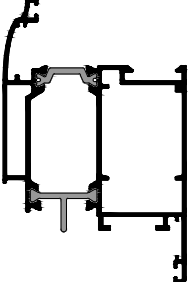
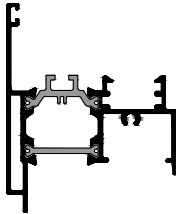
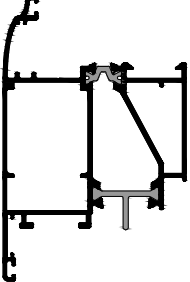
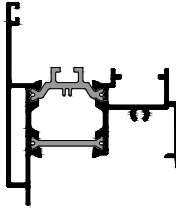
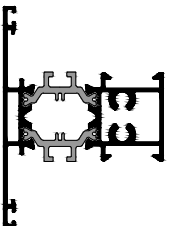
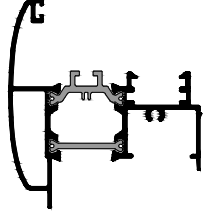
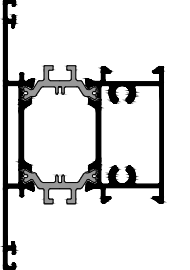
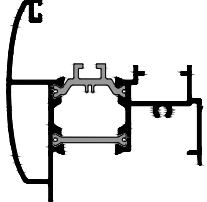
# ***PROFILES OVERVIEW***

**PROFILES OVERVIEW**

| Profile shape   | Profile code / description | Weight (gr/m) | Profile shape  | Profile code / description                | Weight (gr/m) |
|---|----------------------------|---------------|--|---|---------------|
|    | 530 0005<br>frame          | 897           |    | 530 0110<br>sash                          | 1215          |
|    | 530 0010<br>frame          | 1097          |   | 530 0327<br>sash<br><i>*PVC hardware*</i> | 1366          |
|  | 530 0015<br>frame          | 1075          |  | 530 0115<br>sash                          | 1538          |
|  | 530 0020<br>frame          | 1295          |  | 530 0120<br>sash                          | 1047          |
|  | 530 0105<br>sash           | 995           |  | 530 0125<br>sash                          | 1247          |

WARNING: ALL OF THE PROFILE WEIGHTS ARE THEORETICAL.

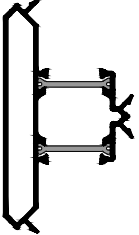
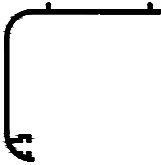
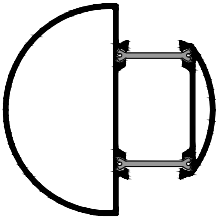




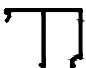
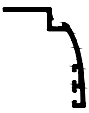

**PROFILES OVERVIEW**

| Profile shape   | Profile code / description                | Weight (gr/m) | Profile shape  | Profile code / description                    | Weight (gr/m) |
|---|---|---------------|--|---|---------------|
|    | 530 0326<br>sash<br><i>*PVC hardware*</i> | 1364          |     | 530 0220<br>door board                        | 2046          |
|   | 530 0130<br>sash                          | 1578          |    | 530 0305<br>overhung                          | 1102          |
|  | 530 0135<br>sash                          | 1563          |   | 530 0328<br>overhung<br><i>*PVC hardware*</i> | 1085          |
|  | 530 0205<br>mullion                       | 1276          |  | 530 0310<br>overhung                          | 1171          |
|  | 530 0210<br>mullion                       | 1510          |  | 530 0329<br>overhung<br><i>*PVC hardware*</i> | 1150          |

WARNING: ALL OF THE PROFILE WEIGHTS ARE THEORETICAL.





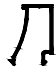


## PROFILES OVERVIEW

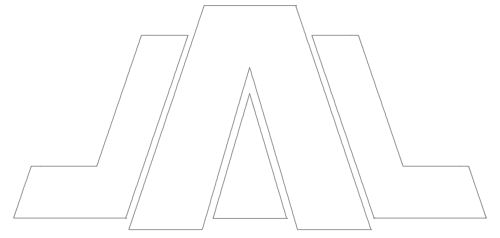
| Profile shape   | Profile code / description                | Weight (gr/m) | Profile shape   | Profile code / description                | Weight (gr/m) |
|---|---|---------------|---|---|---------------|
|    | 530 0320<br>column for 90°<br>angle       | 1095          |    | 375 0350-1<br>sill                        | 385           |
|   | 530 0325<br>pipe                          | 1327          |    | 375 0355<br>frame to frame<br>connection  | 123           |
|  | 530 0330<br>doorstep                      | 940           |  | 375 0370<br>addition for<br>door sash     | 232           |
|  | 530 5040<br>addition for<br>pipe 530 0325 | 176           |  | 375 0510<br>glass bead<br>for 10 mm glass | 290           |
|  | 375 0350<br>sill                          | 225           |  | 375 0520<br>glass bead<br>for 20 mm glass | 268           |

WARNING: ALL OF THE PROFILE WEIGHTS ARE THEORETICAL.

## PROFILES OVERVIEW

| Profile shape   | Profile code / description                | Weight (gr/m) | Profile shape | Profile code / description | Weight (gr/m) |
|---|---|---------------|---------------|----------------------------|---------------|
|    | 375 0530<br>glass bead<br>for 24 mm glass | 260           |               |                            |               |
|    | 375 0550<br>glass bead<br>for 38 mm glass | 203           |               |                            |               |
|  | 1017<br>glass bead<br>for 36 mm glass     | 222           |               |                            |               |
|  | 1200<br>glass bead<br>for 20 mm glass     | 270           |               |                            |               |
|  | 9312<br>glass bead<br>for 28 mm glass     | 235           |               |                            |               |

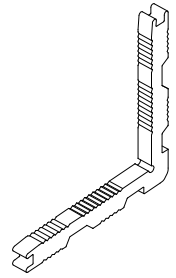
WARNING: ALL OF THE PROFILE WEIGHTS ARE THEORETICAL.



# ***ACCESSORIES***

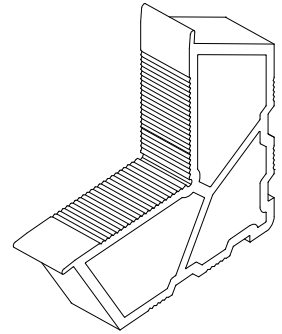
APE 0550

Press corner



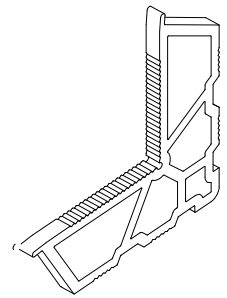
APE 2121

Press corner



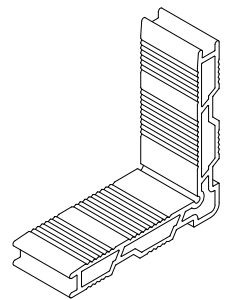
APE 0551

Press corner



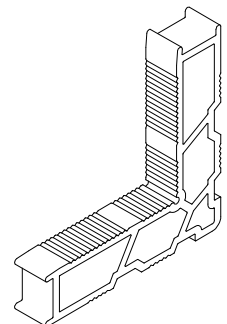
APE 2600/APE1870

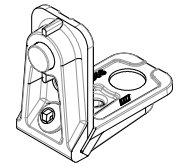
Press corner



APE 1390/APE2120/  
APE 2610

Press corner

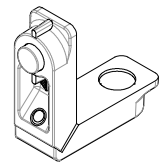




APE 4

Mechanical corner

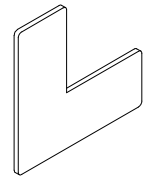
---



APE 8

Mechanical corner

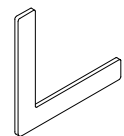
---



APE 7

Alignment corner

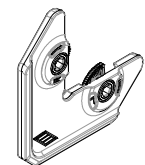
---



APE 6

Alignment corner

---

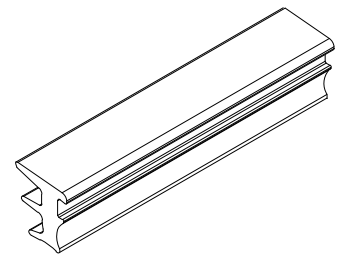


APE 10

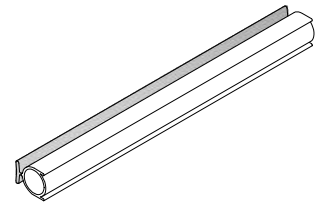
Mechanical corner

---

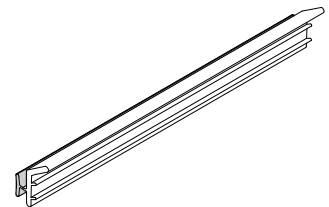
U00;0;1;1.5;2;2.5;3;4;5; EPDM gasket for glazing



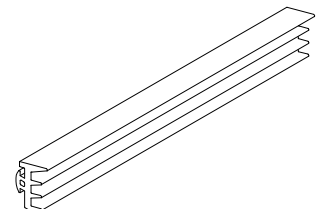
U60 gasket for the opening parts



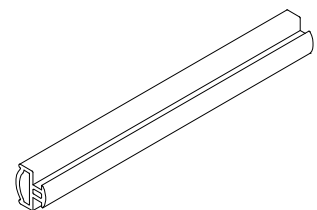
U68 gasket for the fix parts



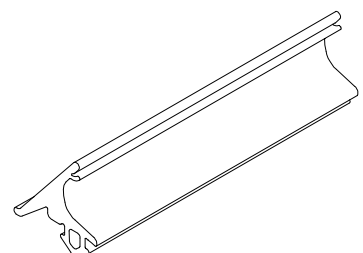
US68 EPDM gasket for the fix parts

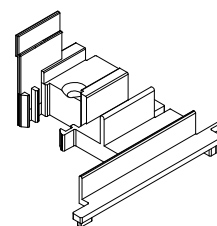


US60 EPDM gasket for the opening parts



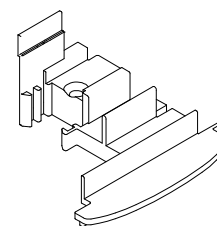
APE900 EPDM central gasket





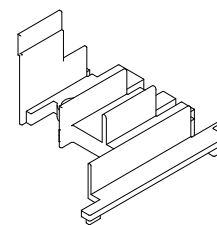
APE 310

Cover cap for overhung 530 0305



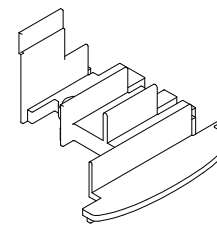
APE 313

Cover cap for overhung 530 0310



APE 312

Cover cap for overhung 530 0328

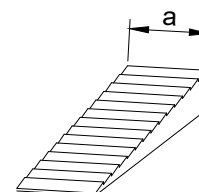


APE 311

Cover cap for overhung 530 0329

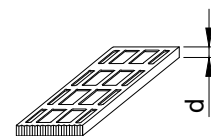
AP3320 /a =20mm/;  
AP3324 /a =24mm/;  
AP3326 /a =26mm/;  
AP3330 /a =30mm/;  
AP3332 /a =32mm/;

Glazing pad



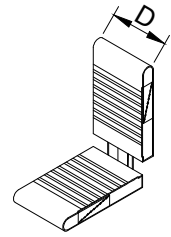
AP3220 /d=2mm/;  
AP3230 /d=3mm/;  
AP3240 /d=4mm/;  
AP3250 /d=5mm/;

Glazing pad

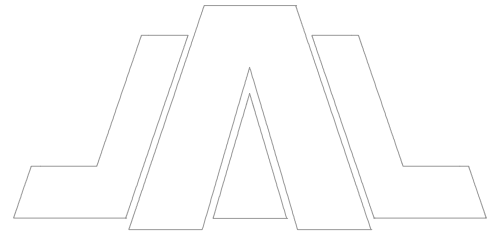


AP3170 /D=18mm/  
AP3171 /D=24mm/  
AP3172 /D=32mm/

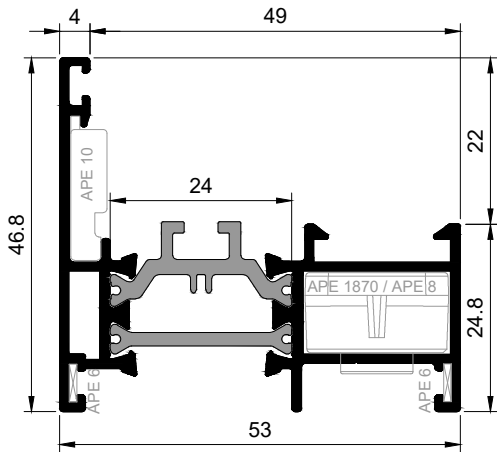
Adjusting corner for glass panes (USS)



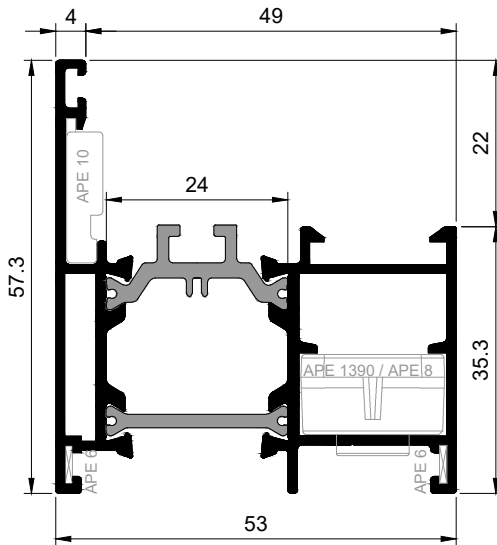




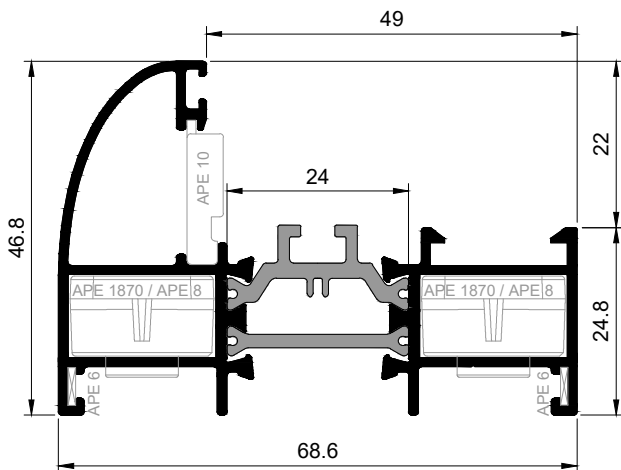
# ***PROFILES***



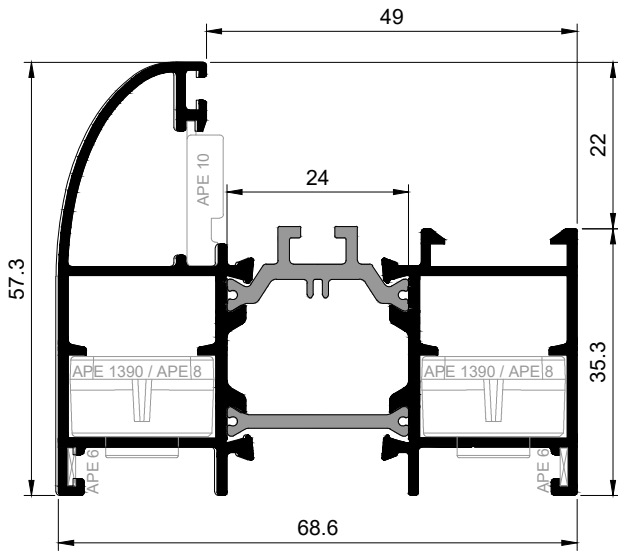
| 530 0005<br>Frame |          | Weight<br>(gr/m) | $I_x / I_y$ (cm <sup>4</sup> ) | $W_x / W_y$ (cm <sup>3</sup> ) |
|-------------------|----------|------------------|--------------------------------|--------------------------------|
|                   |          | 897              | 3,23/ 10,56                    | 1,05/ 3,50                     |
| JOINTS            |          |                  |                                |                                |
|                   | APE 1870 | APE 6            | APE 10                         | APE 8                          |
| GASKETS           |          |                  |                                |                                |
|                   | U 68     | US 68            | US 60                          | APE 900                        |



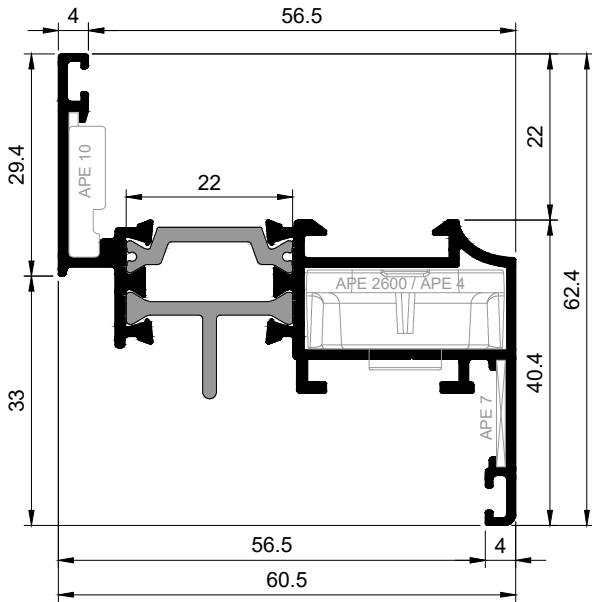
| 530 0010<br>Frame |          | Weight<br>(gr/m) | $I_x / I_y$ (cm <sup>4</sup> ) | $W_x / W_y$ (cm <sup>3</sup> ) |
|-------------------|----------|------------------|--------------------------------|--------------------------------|
|                   |          | 1097             | 6,53/ 13,32                    | 1,81/ 4,45                     |
| JOINTS            |          |                  |                                |                                |
|                   | APE 1390 | APE 6            | APE 10                         | APE 8                          |
| GASKETS           |          |                  |                                |                                |
|                   | U 68     | US 68            | US 60                          | APE 900                        |



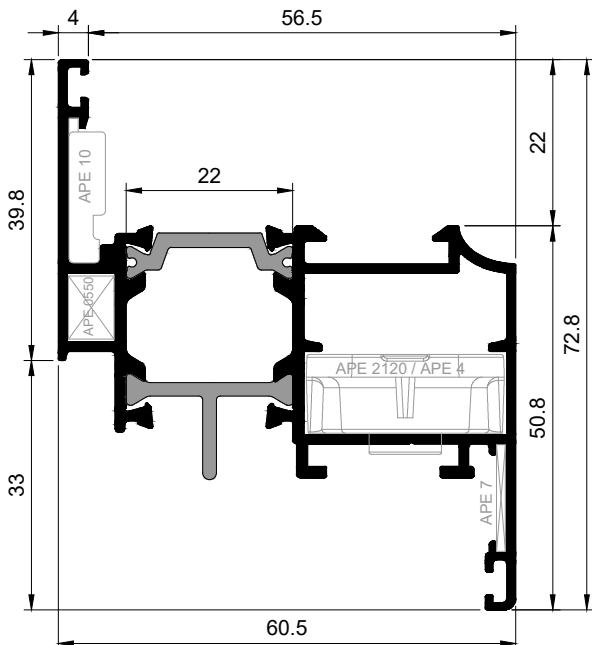
| 530 0015<br>Frame |          | Weight<br>(gr/m) | $I_x / I_y$ (cm <sup>4</sup> ) | $W_x / W_y$ (cm <sup>3</sup> ) |
|-------------------|----------|------------------|--------------------------------|--------------------------------|
|                   |          | 1075             | 4,78/ 18,37                    | 1,59/ 4,89                     |
| JOINTS            |          |                  |                                |                                |
|                   | APE 1870 | APE 6            | APE 10                         | APE 8                          |
| GASKETS           |          |                  |                                |                                |
|                   | U 68     | US 68            | US 60                          | APE 900                        |



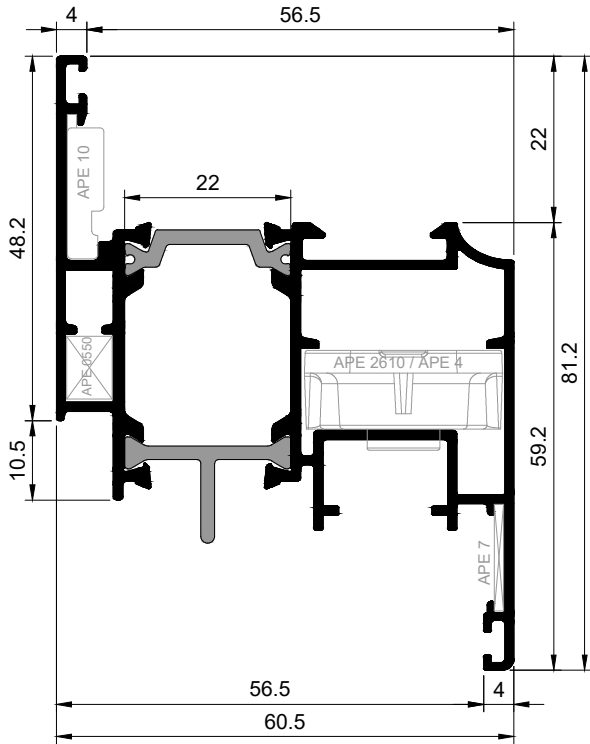
| 530 0020<br>Frame |  | Weight<br>(gr/m) | $I_x / I_y$ (cm <sup>4</sup> ) | $W_x / W_y$ (cm <sup>3</sup> ) |
|-------------------|--|------------------|--------------------------------|--------------------------------|
|                   |  | 1295             | 9,09/ 22,91                    | 2,61/ 6,22                     |
| JOINTS            |  |                  |                                |                                |
|                   |  |                  |                                |                                |



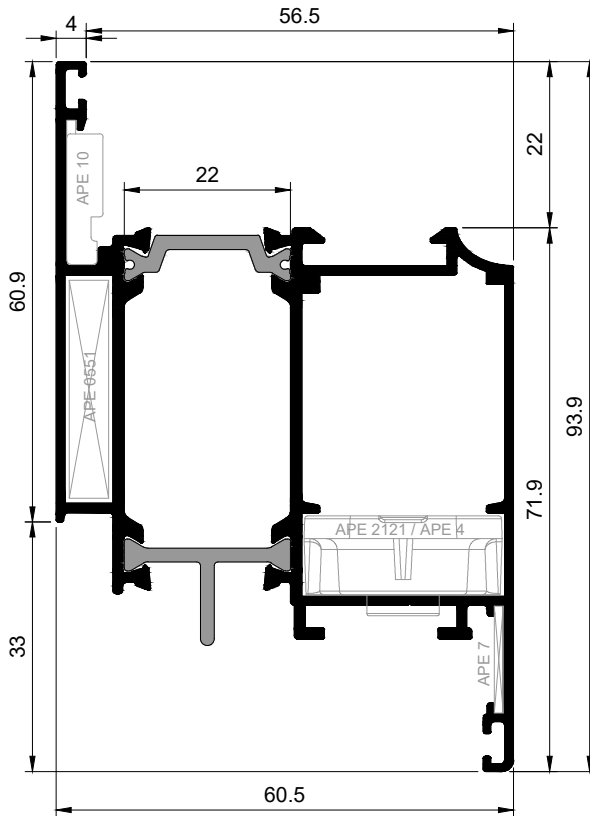
| 530 0105<br>Sash |  | Weight<br>(gr/m) | $I_x / I_y$ (cm <sup>4</sup> ) | $W_x / W_y$ (cm <sup>3</sup> ) |
|------------------|--|------------------|--------------------------------|--------------------------------|
|                  |  | 995              | 4,90/ 14,56                    | 1,55/ 4,58                     |
| JOINTS           |  |                  |                                |                                |
|                  |  |                  |                                |                                |



| 530 0110<br>Sash |  | Weight<br>(gr/m) | $I_x / I_y$ (cm <sup>4</sup> ) | $W_x / W_y$ (cm <sup>3</sup> ) |
|------------------|--|------------------|--------------------------------|--------------------------------|
|                  |  | 1215             | 9,02/ 18,61                    | 2,46/ 6,12                     |
| JOINTS           |  |                  |                                |                                |
|                  |  |                  |                                |                                |

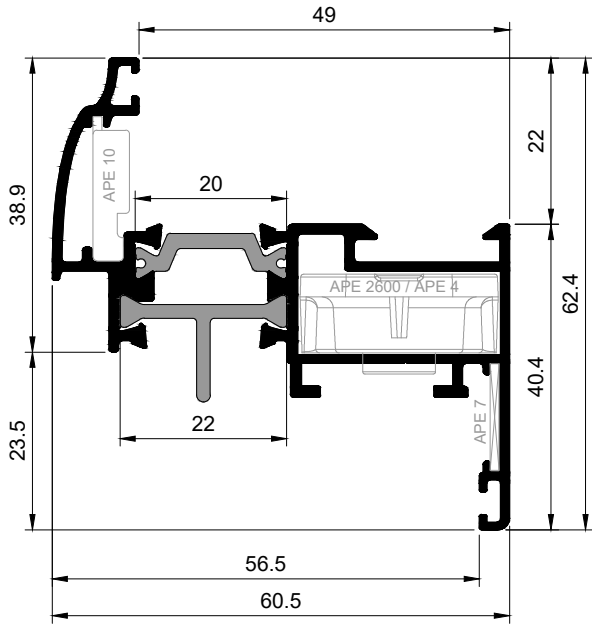


| <b>530 0327</b><br>Sash<br><i>*PVC hardware*</i> |  | Weight<br>(gr/m) | $I_x / I_y$ (cm <sup>4</sup> ) | $W_x / W_y$ (cm <sup>3</sup> ) |
|--|--|------------------|--------------------------------|--------------------------------|
|  |  | 1366             | 13,16/ 21,50                   | 3,22/ 6,96                     |
| JOINTS   |  |                  |                                |                                |
| GASKETS  |  |                  |                                |                                |

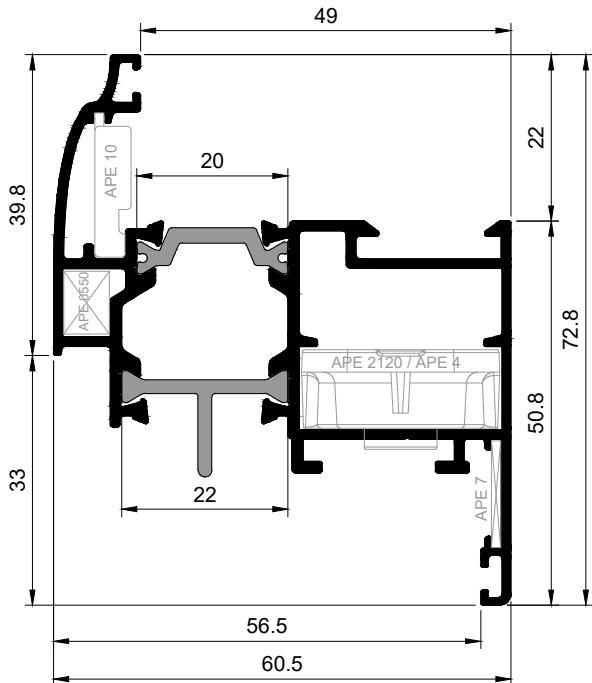


| <b>530 0115</b><br>Sash |  | Weight<br>(gr/m) | $I_x / I_y$ (cm <sup>4</sup> ) | $W_x / W_y$ (cm <sup>3</sup> ) |
|-------------------------|--|------------------|--------------------------------|--------------------------------|
|                         |  | 1538             | 24,51/ 24,81                   | 5,20/ 7,90                     |
| JOINTS                  |  |                  |                                |                                |
| GASKETS                 |  |                  |                                |                                |

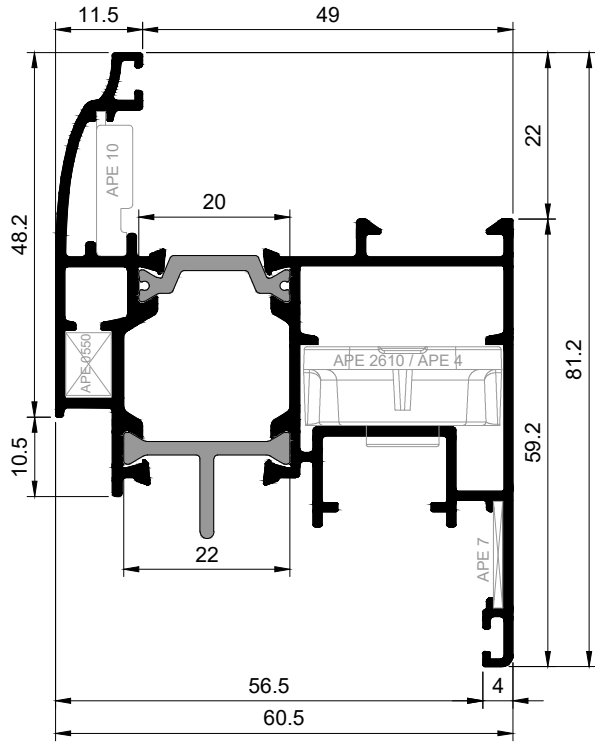
# Series Eskimos



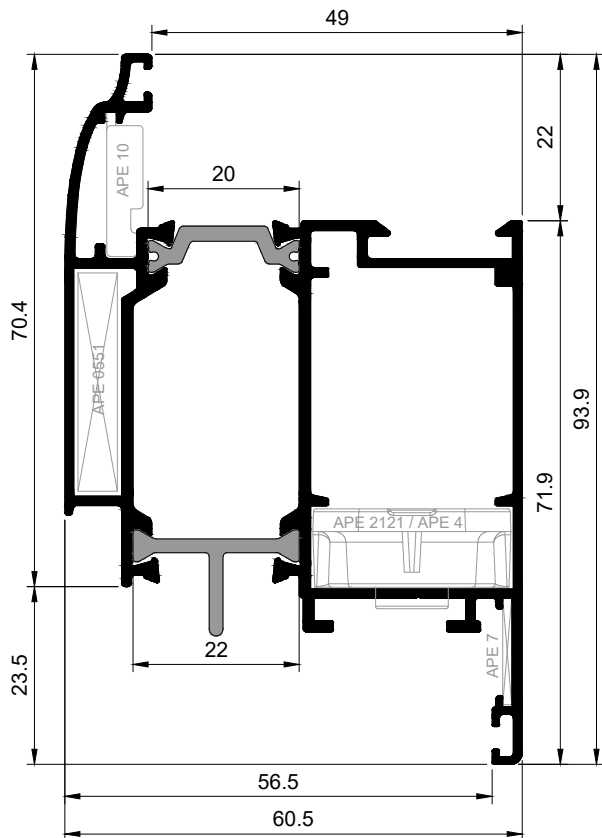
| 530 0120 Sash |        | Weight (gr/m) | $I_x / I_y$ (cm <sup>4</sup> ) | $W_x / W_y$ (cm <sup>3</sup> ) |
|---------------|--------|---------------|--------------------------------|--------------------------------|
|               |        | 1047          | 5,35/ 14,64                    | 1,70/ 4,62                     |
| GASKETS       |        |               |                                |                                |
|               | JOINTS |               |                                |                                |



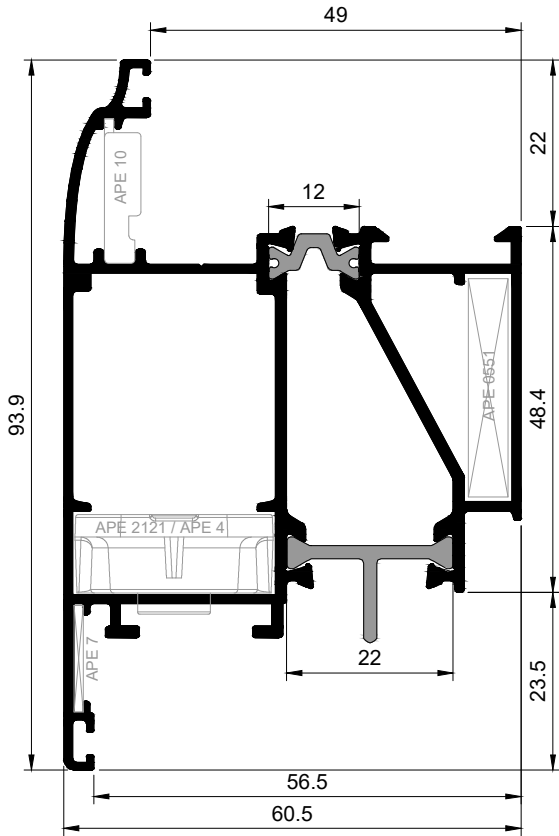
| 530 0125 Sash |        | Weight (gr/m) | $I_x / I_y$ (cm <sup>4</sup> ) | $W_x / W_y$ (cm <sup>3</sup> ) |
|---------------|--------|---------------|--------------------------------|--------------------------------|
|               |        | 1247          | 9,71/ 18,42                    | 2,63/ 6,06                     |
| GASKETS       |        |               |                                |                                |
|               | JOINTS |               |                                |                                |



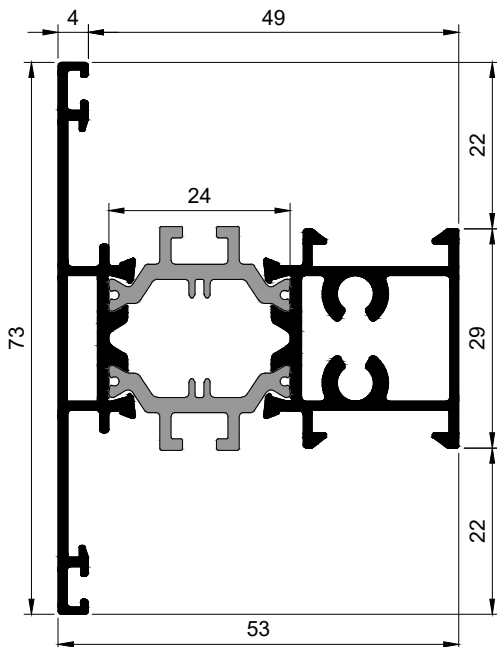
| <b>530 0326</b><br>Sash<br><i>*PVC hardware*</i> |  | Weight<br>(gr/m) | $I_x / I_y$ (cm <sup>4</sup> ) | $W_x / W_y$ (cm <sup>3</sup> ) |
|--|--|------------------|--------------------------------|--------------------------------|
|  |  | 1364             | 13,38/ 21,25                   | 3,28/ 6,94                     |
| JOINTS   |  |                  |                                |                                |
| GASKETS  |  |                  |                                |                                |



| <b>530 0130</b><br>Sash |  | Weight<br>(gr/m) | $I_x / I_y$ (cm <sup>4</sup> ) | $W_x / W_y$ (cm <sup>3</sup> ) |
|-------------------------|--|------------------|--------------------------------|--------------------------------|
|                         |  | 1578             | 25,92/ 24,83                   | 5,41/ 8,01                     |
| JOINTS                  |  |                  |                                |                                |
| GASKETS                 |  |                  |                                |                                |

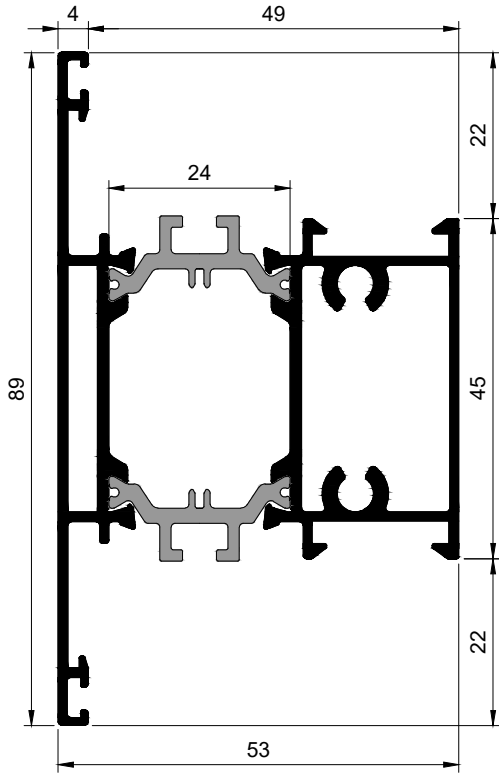


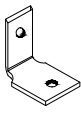
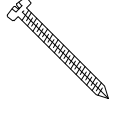





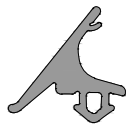
| 530 0135<br>Sash |  | Weight<br>(gr/m) | $I_x / I_y$ (cm <sup>4</sup> ) | $W_x / W_y$ (cm <sup>3</sup> ) |
|------------------|--|------------------|--------------------------------|--------------------------------|
|                  |  | 1563             | 25,61/ 23,06                   | 5,36/ 6,80                     |
| JOINTS           |  |                  |                                |                                |
|                  |  |                  |                                |                                |

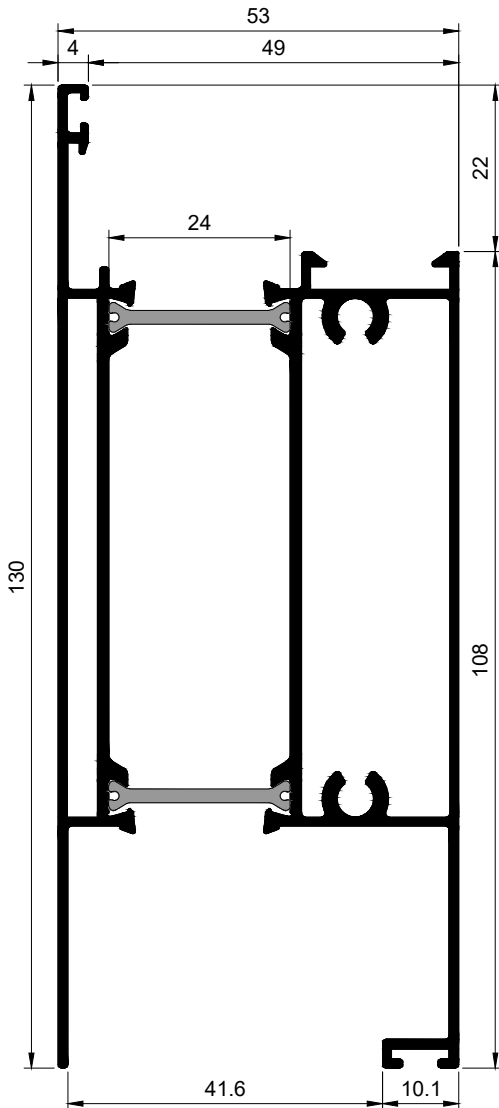


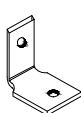
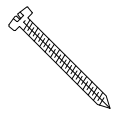




| 530 0205<br>Mullion |  | Weight<br>(gr/m) | $I_x / I_y$ (cm <sup>4</sup> ) | $W_x / W_y$ (cm <sup>3</sup> ) |
|---------------------|--|------------------|--------------------------------|--------------------------------|
|                     |  | 1276             | 7,92/ 14,68                    | 2,17/ 4,83                     |
| JOINTS              |  |                  |                                |                                |
|                     |  |                  |                                |                                |

# Series Eskimos



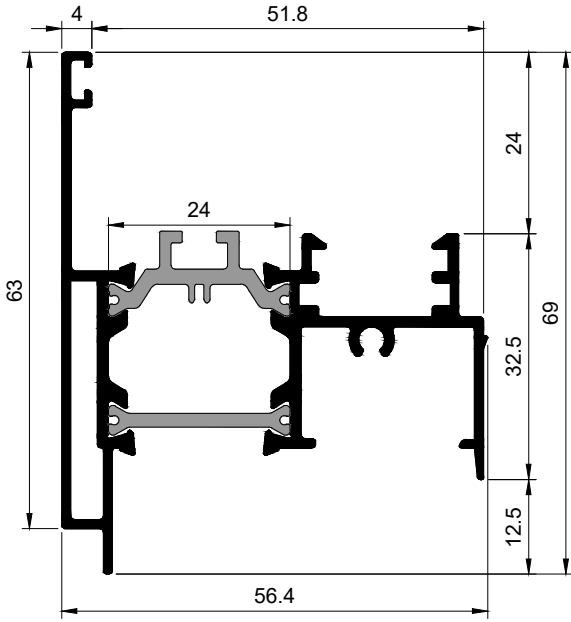
| 530 0210<br>Mullion |   | Weight (gr/m) | $I_x / I_y$ (cm <sup>4</sup> ) | $W_x / W_y$ (cm <sup>3</sup> ) |
|---------------------|---|---------------|--------------------------------|--------------------------------|
|                     |   | 1510          | 17,76/ 18,35                   | 3,99/ 6,00                     |
| JOINTS              |  BA 1001  VM 12212   |               |                                |                                |
|                     |  U 00.0;1;1.5; 2;2.5;3;4;5  U 60  U 68  US 68  US 60  APE 900 |               |                                |                                |



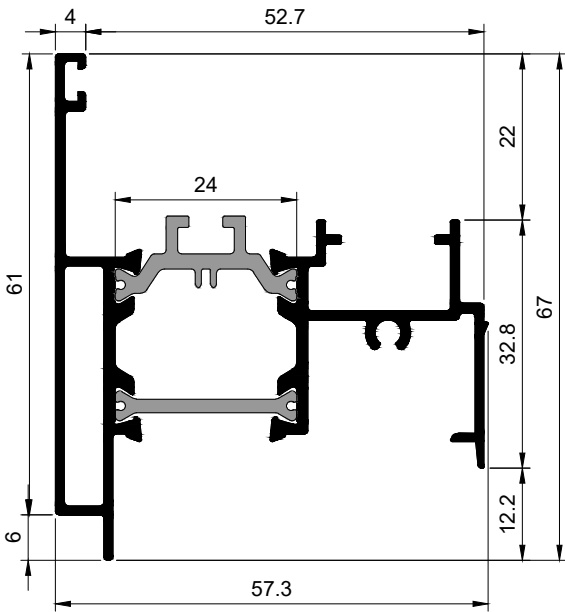
| 530 0220<br>Door board |   | Weight (gr/m) | $I_x / I_y$ (cm <sup>4</sup> ) | $W_x / W_y$ (cm <sup>3</sup> ) |
|------------------------|---|---------------|--------------------------------|--------------------------------|
|                        |   | 2046          | 78,88/ 29,46                   | 11,99/ 10,30                   |
| JOINTS                 |  BA 1001  VM 12212           BRUSHES  TZ 5.5; TZ 6; TZ 8; TZ 12; TZ 18; |               |                                |                                |
|                        |  U 00.0;1;1.5; 2;2.5;3;4;5  U 68  US 68                                |               |                                |                                |



# Series Eskimos

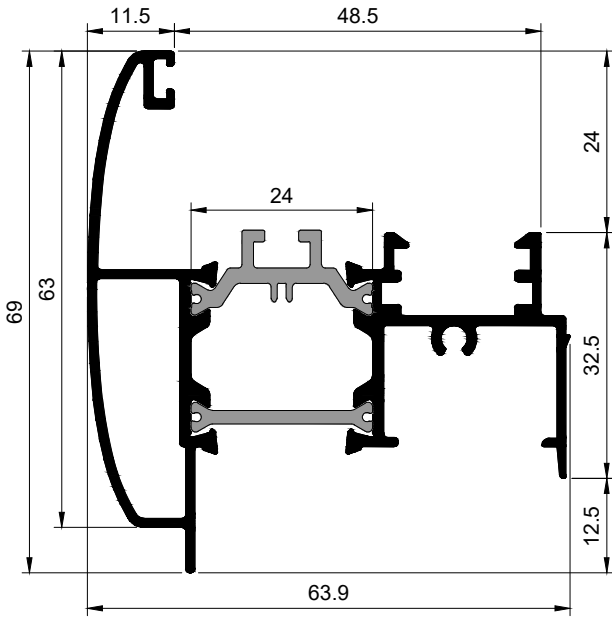


|                             |  |                  |                                |                                |
|-----------------------------|--|------------------|--------------------------------|--------------------------------|
| <b>530 0305</b><br>Overhung |  | Weight<br>(gr/m) | $I_x / I_y$ (cm <sup>4</sup> ) | $W_x / W_y$ (cm <sup>3</sup> ) |
|                             |  | 1102             | 6,83/ 13,67                    | 1,81/ 3,92                     |
| JOINTS                      |  |                  | COVER<br>CAP                   | <br>APE 310                    |
| GASKETS                     | U 60             US 60             APE 900 |                  |                                |                                |

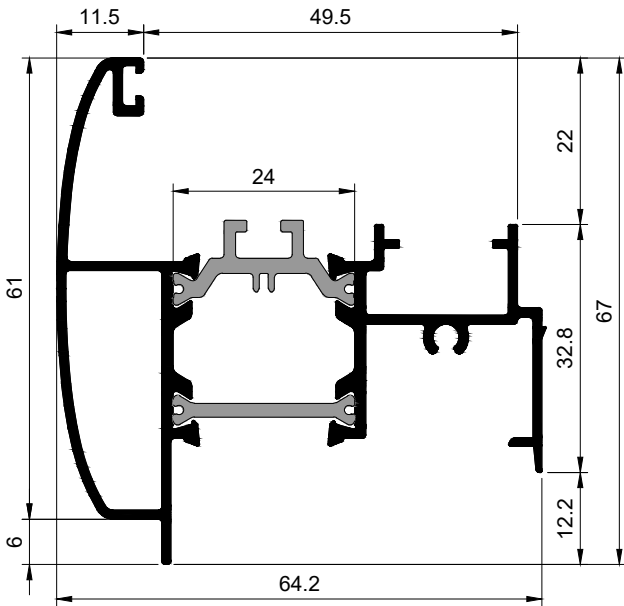


|  |  |                  |                                |                                |
|--|--|------------------|--------------------------------|--------------------------------|
| <b>530 0328</b><br>Overhung<br><i>*PVC hardware*</i> |  | Weight<br>(gr/m) | $I_x / I_y$ (cm <sup>4</sup> ) | $W_x / W_y$ (cm <sup>3</sup> ) |
|  |  | 1085             | 6,45/ 13,55                    | 1,78/ 3,82                     |
| JOINTS   |  |                  | COVER<br>CAP                   | <br>APE 312                    |
| GASKETS  | U 60             US 60             APE 900 |                  |                                |                                |

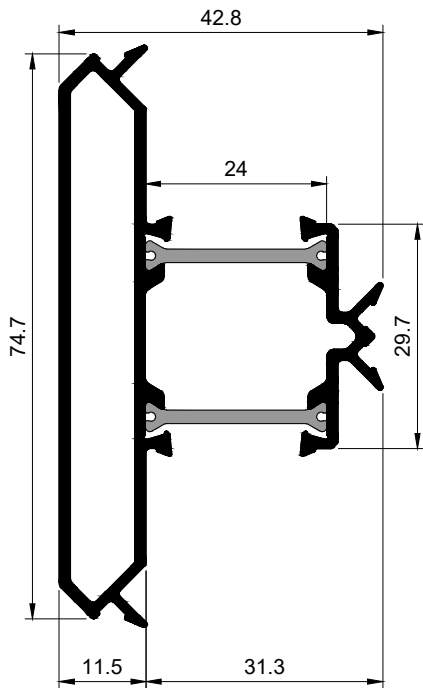
# Series Eskimos



|                             |  |               |                                |                                |
|-----------------------------|--|---------------|--------------------------------|--------------------------------|
| <b>530 0310</b><br>Overhung |  | Weight (gr/m) | $I_x / I_y$ (cm <sup>4</sup> ) | $W_x / W_y$ (cm <sup>3</sup> ) |
|                             |  | 1171          | 8,40/ 16,85                    | 2,29/ 4,48                     |
| JOINTS                      |  |               | COVER CAP                      | APE 313                        |
| GASKETS                     | U 60             US 60             APE 900 |               |                                |                                |

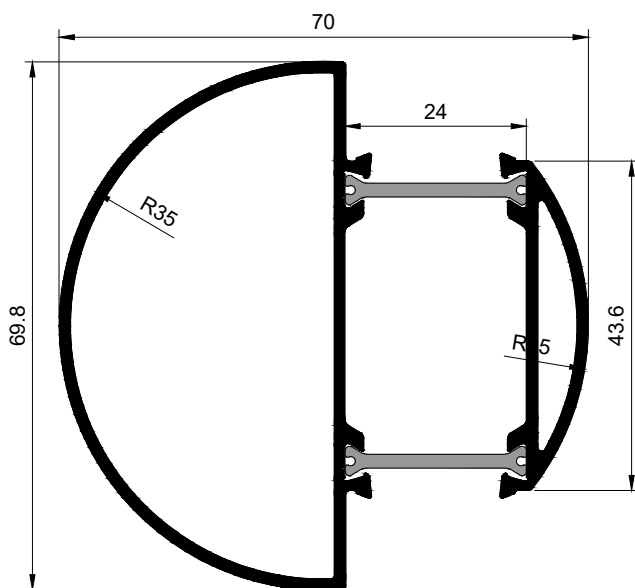


|  |  |               |                                |                                |
|--|--|---------------|--------------------------------|--------------------------------|
| <b>530 0329</b><br>Overhung<br><i>*PVC hardware*</i> |  | Weight (gr/m) | $I_x / I_y$ (cm <sup>4</sup> ) | $W_x / W_y$ (cm <sup>3</sup> ) |
|  |  | 1150          | 7,84/ 16,67                    | 2,22/ 4,38                     |
| JOINTS   |  |               | COVER CAP                      | APE 311                        |
| GASKETS  | U 60             US 60             APE 900 |               |                                |                                |



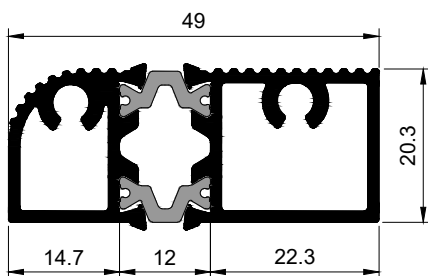
| 530 0320<br>Column for<br>90° angle | Weight<br>(gr/m) | $I_x / I_y$ (cm <sup>4</sup> ) | $W_x / W_y$ (cm <sup>3</sup> ) |
|-------------------------------------|------------------|--------------------------------|--------------------------------|
|                                     | 1095             | 13,89/ 7,07                    | 3,61/ 2,49                     |

*\*Only for frames 530 0005 and 530 0010\**

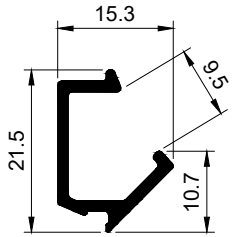


| 530 0325<br>Pipe | Weight<br>(gr/m) | $I_x / I_y$ (cm <sup>4</sup> ) | $W_x / W_y$ (cm <sup>3</sup> ) |
|------------------|------------------|--------------------------------|--------------------------------|
|                  | 1327             | 18,14/ 22,37                   | 5,18/ 5,89                     |

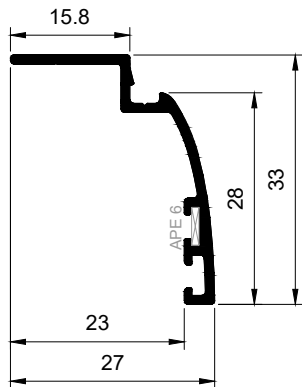
*\*Only for frames 530 0015 and 530 0020\**



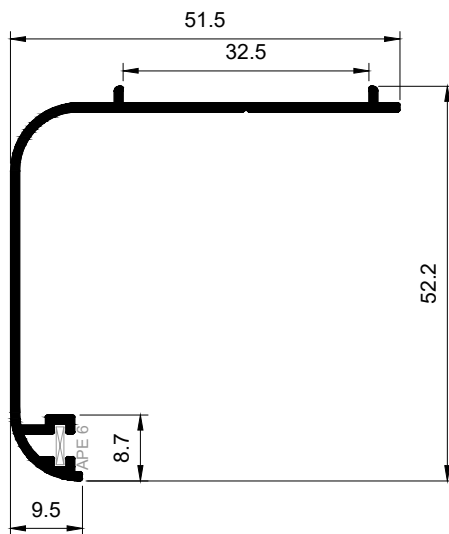
| 530 0330<br>Doorstep | Weight<br>(gr/m) | $I_x / I_y$ (cm <sup>4</sup> ) | $W_x / W_y$ (cm <sup>3</sup> ) |
|----------------------|------------------|--------------------------------|--------------------------------|
|                      | 940              | 1,60/ 6,96                     | 1,37/ 2,78                     |



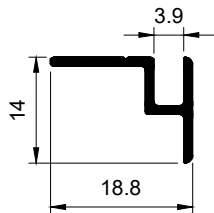
|  |                  |
|--|------------------|
| <b>530 5040</b><br>Addition for pipe<br>530 0325 | Weight<br>(gr/m) |
|  | 176              |



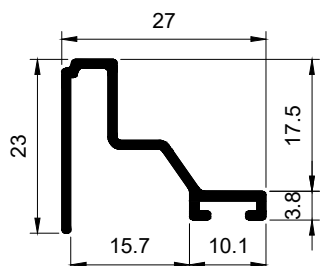
|                         |                  |                               |                               |
|-------------------------|------------------|-------------------------------|-------------------------------|
| <b>375 0350</b><br>sill | Weight<br>(gr/m) | $I_x/ I_y$ (cm <sup>4</sup> ) | $W_x/ W_y$ (cm <sup>3</sup> ) |
|                         | 225              | 0.99/0.44                     | 0.51/0.23                     |
| JOINTS                  | APE 6            | GASKETS                       | U 60                          |



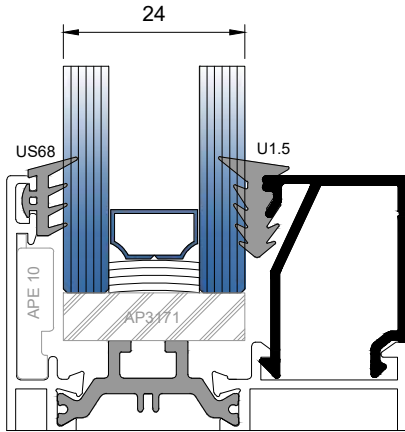
|                           |                  |                               |                               |
|---------------------------|------------------|-------------------------------|-------------------------------|
| <b>375 0350-1</b><br>sill | Weight<br>(gr/m) | $I_x/ I_y$ (cm <sup>4</sup> ) | $W_x/ W_y$ (cm <sup>3</sup> ) |
|                           | 385              | 4.97/ 3.57                    | 1.53/0.94                     |
| JOINTS                    | APE 6            | GASKETS                       | U 60                          |



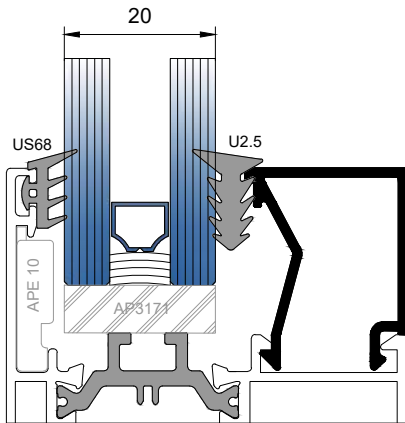
|   |                  |
|---|------------------|
| <b>375 0355</b><br>Frame to frame<br>connection | Weight<br>(gr/m) |
|   | 123              |



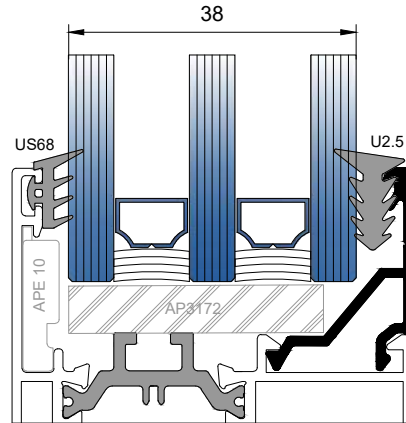
|  |                                  |                               |                               |
|--|----------------------------------|-------------------------------|-------------------------------|
| <b>375 0370</b><br>Addition for<br>door sash | Weight<br>(gr/m)                 | $I_x/ I_y$ (cm <sup>4</sup> ) | $W_x/ W_y$ (cm <sup>3</sup> ) |
|  | 232                              | 0.38/0.66                     | 0.31/0.38                     |
| BRUSHES                                      | TZ 5.5; TZ 6; TZ 8; TZ 12; TZ18; |                               |                               |



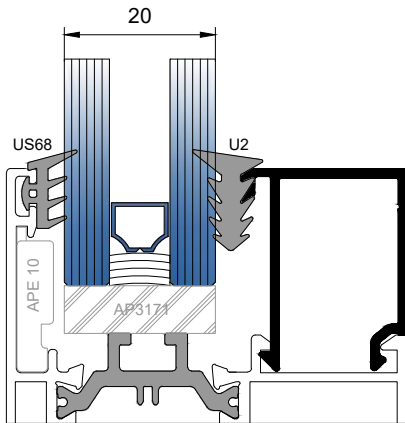
375 0530  
/24mm glass bead/  
weight: 260gr/m



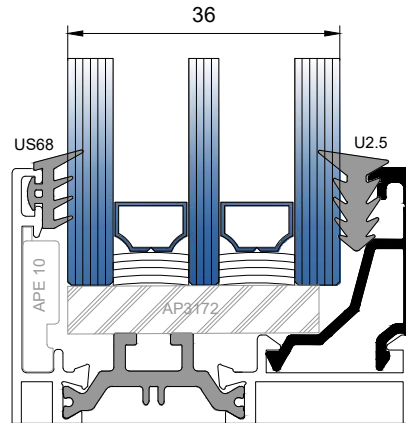
1200  
/20mm glass bead/  
weight: 270gr/m



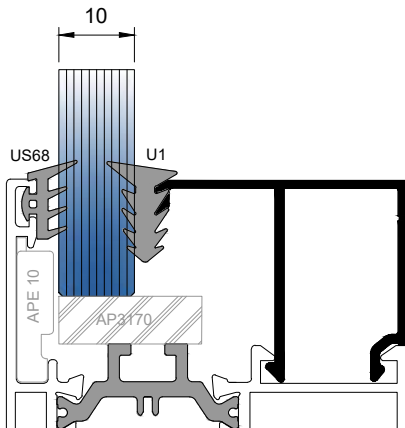
375 0550  
/38mm glass bead/  
weight: 203gr/m



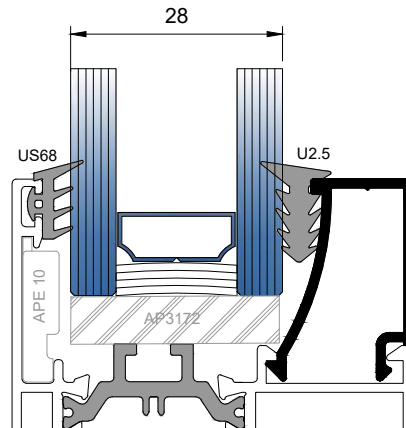
375 0520  
/20mm glass bead/  
weight: 268gr/m



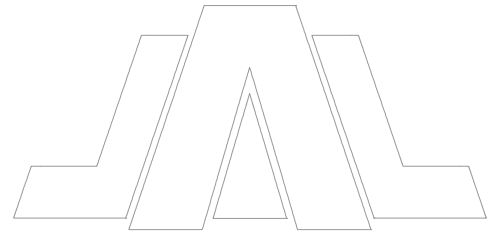
1017  
/36mm glass bead/  
weight: 222gr/m



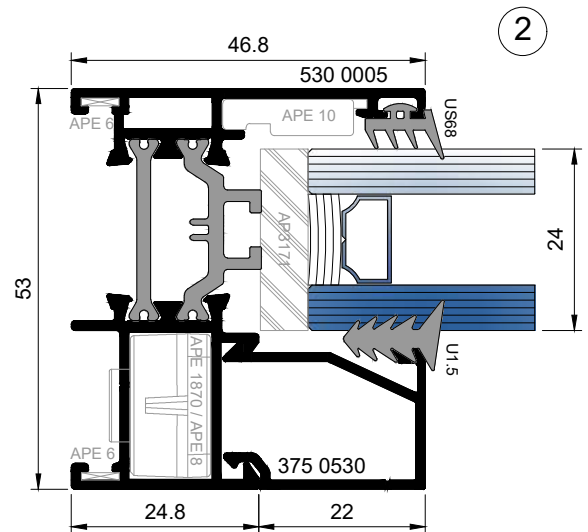
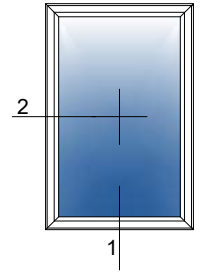
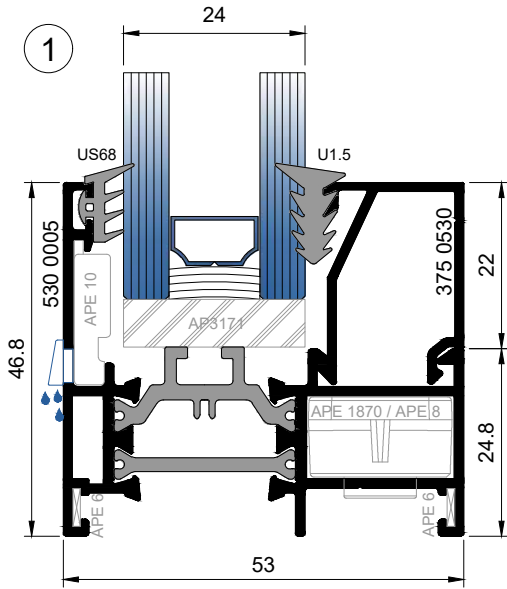
375 0510  
/10mm glass bead/  
weight: 290gr/m

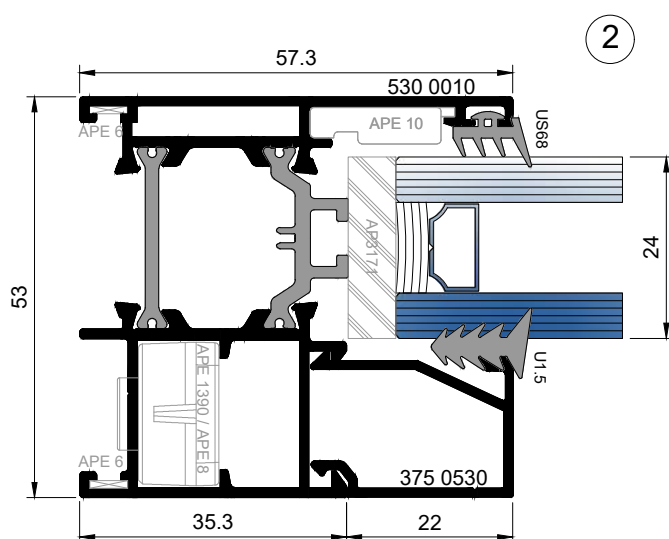
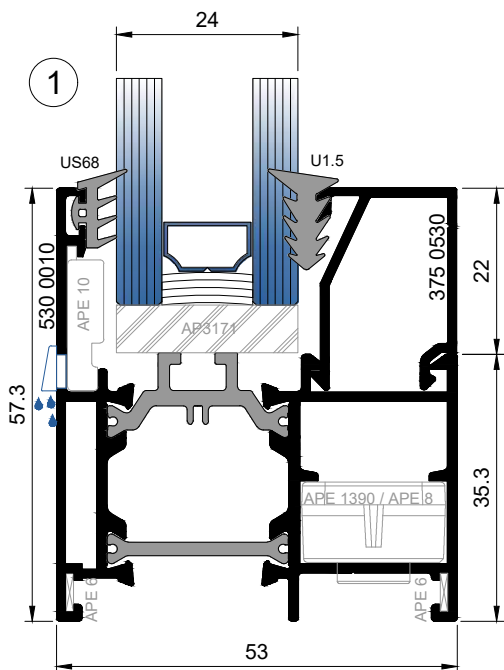
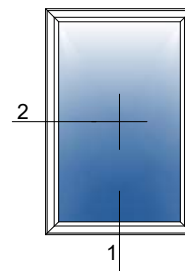


9312  
/28mm glass bead/  
weight: 235gr/m

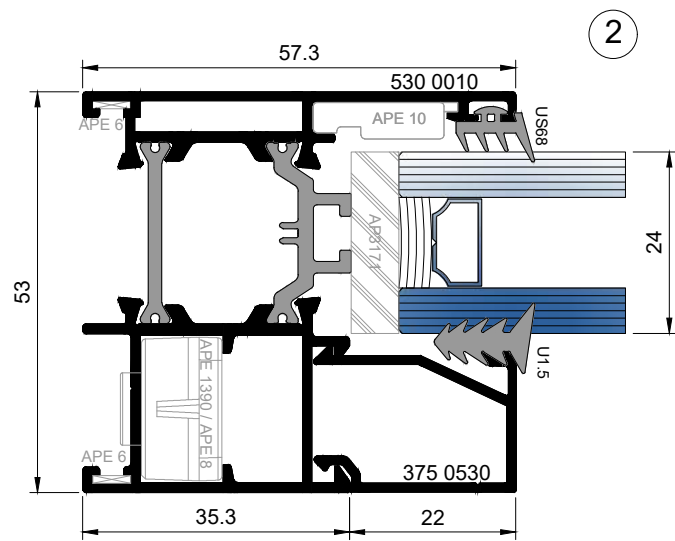
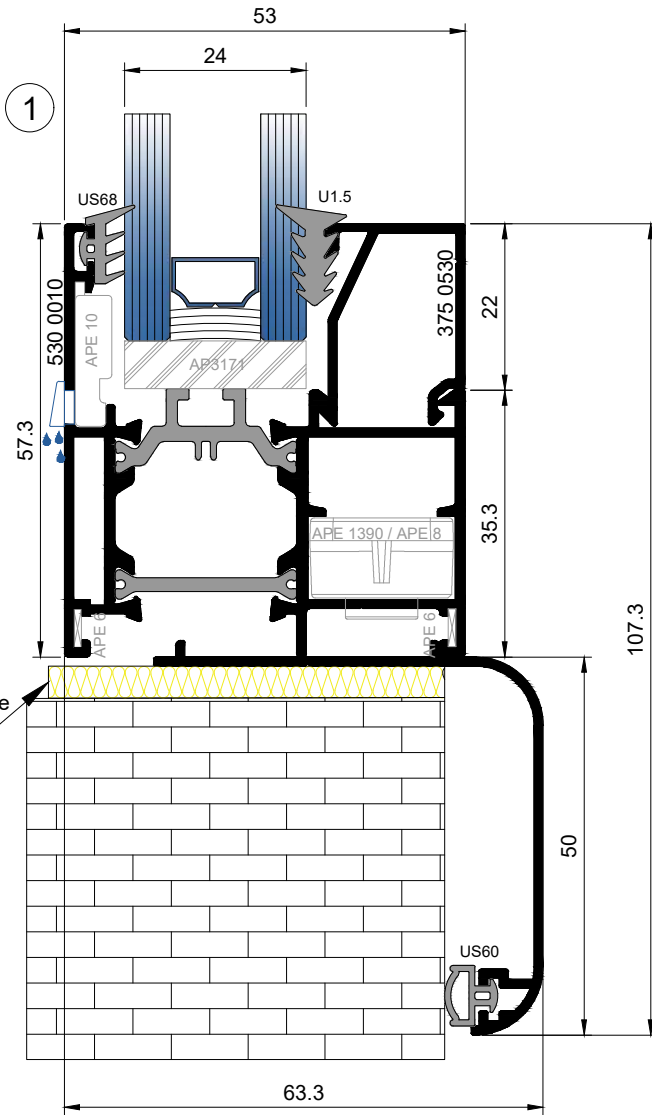
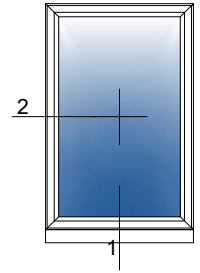


# ***SECTIONS***

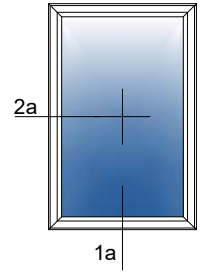
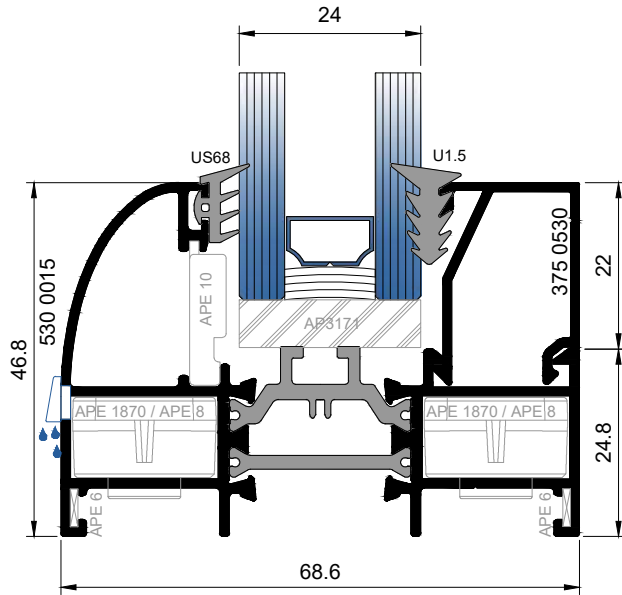




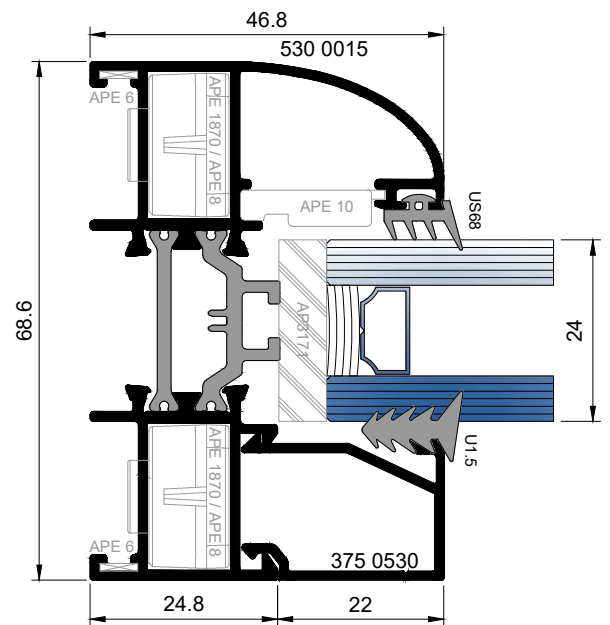


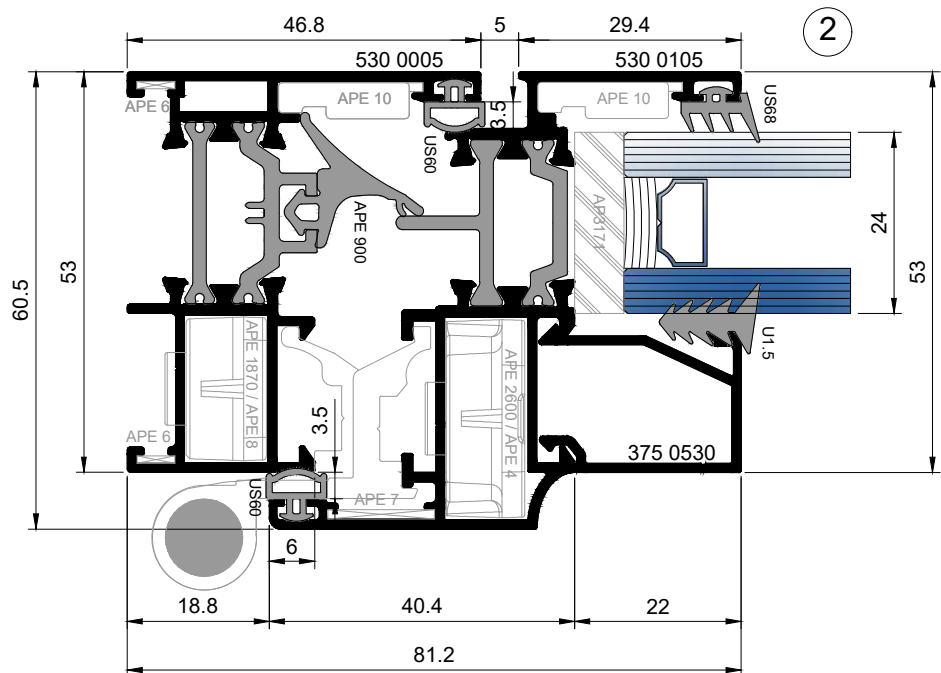
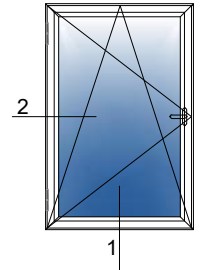
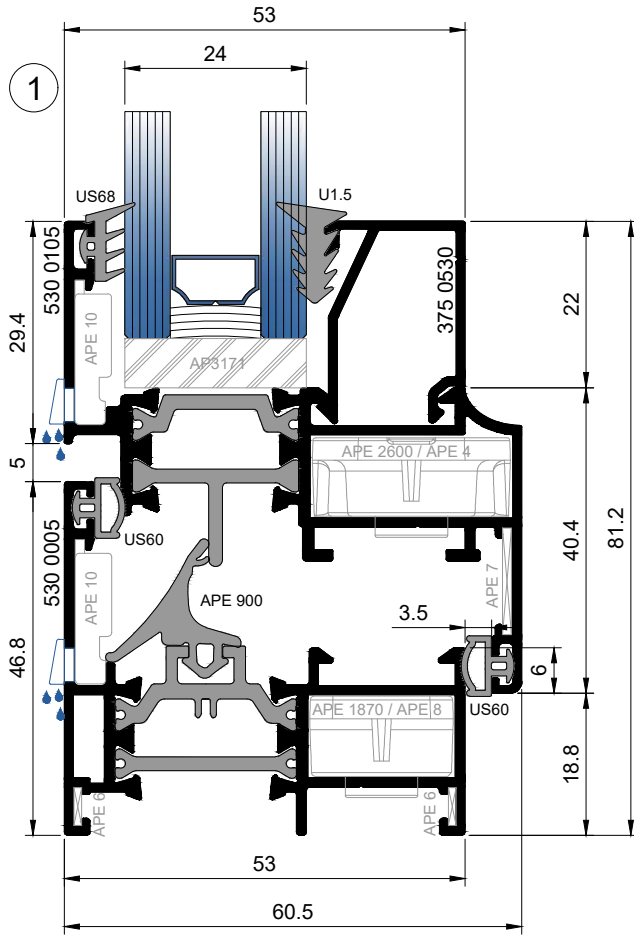


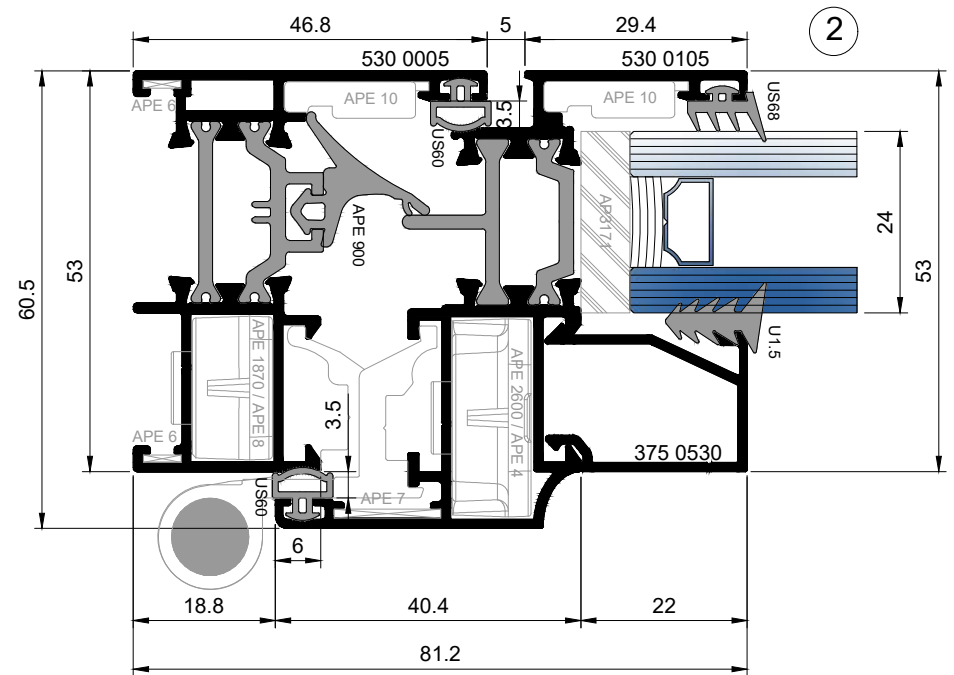
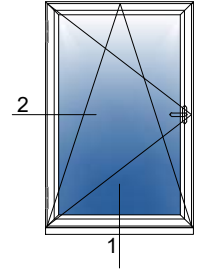
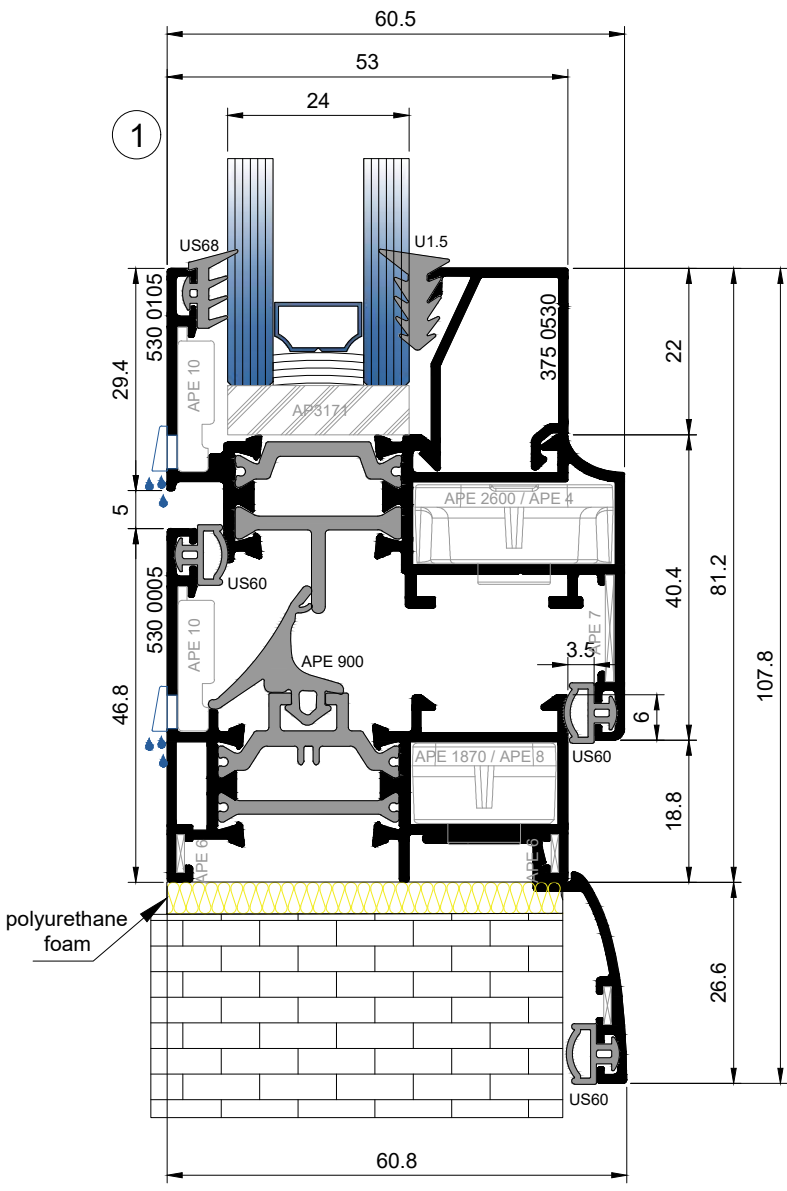
1a

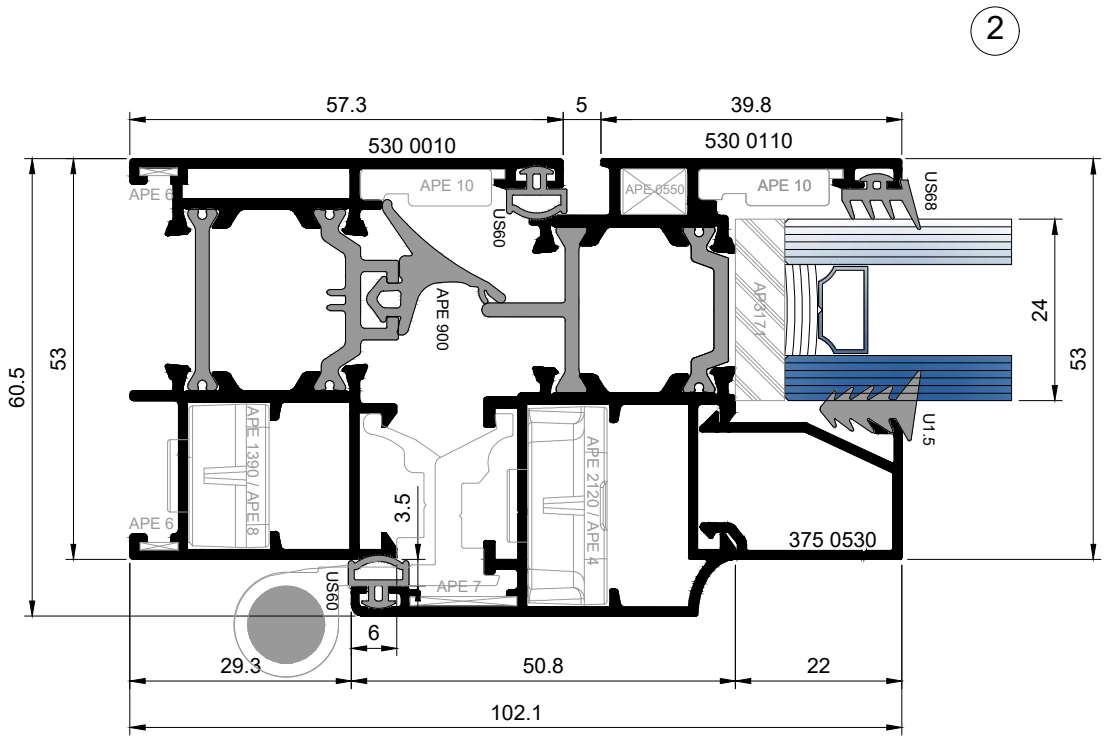
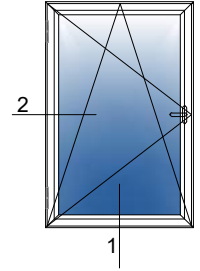
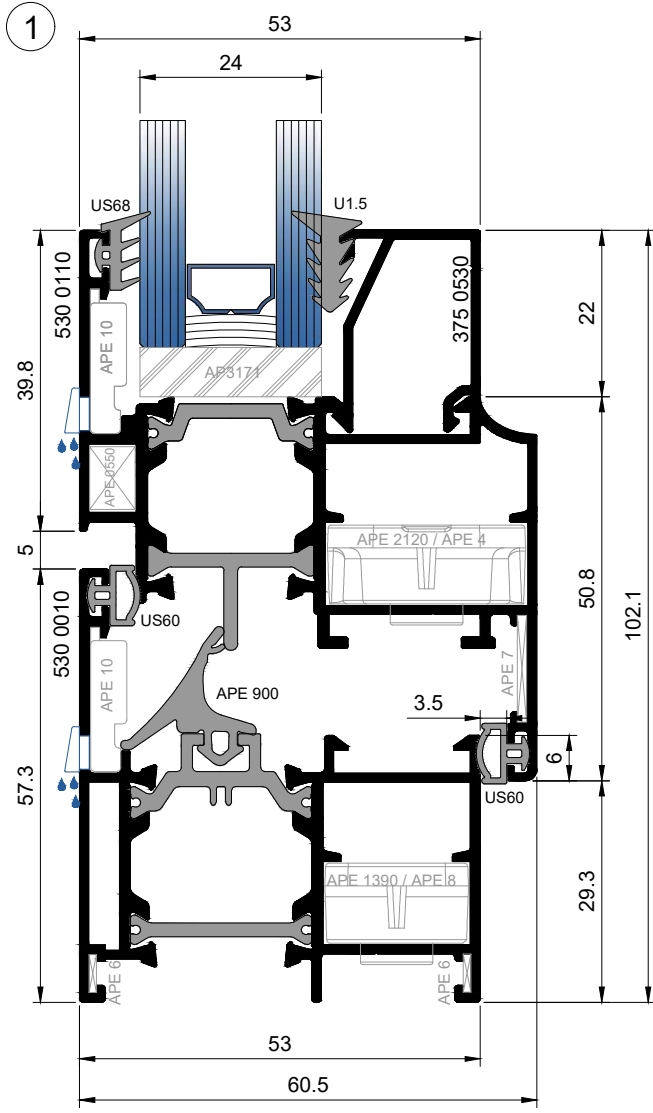


2a



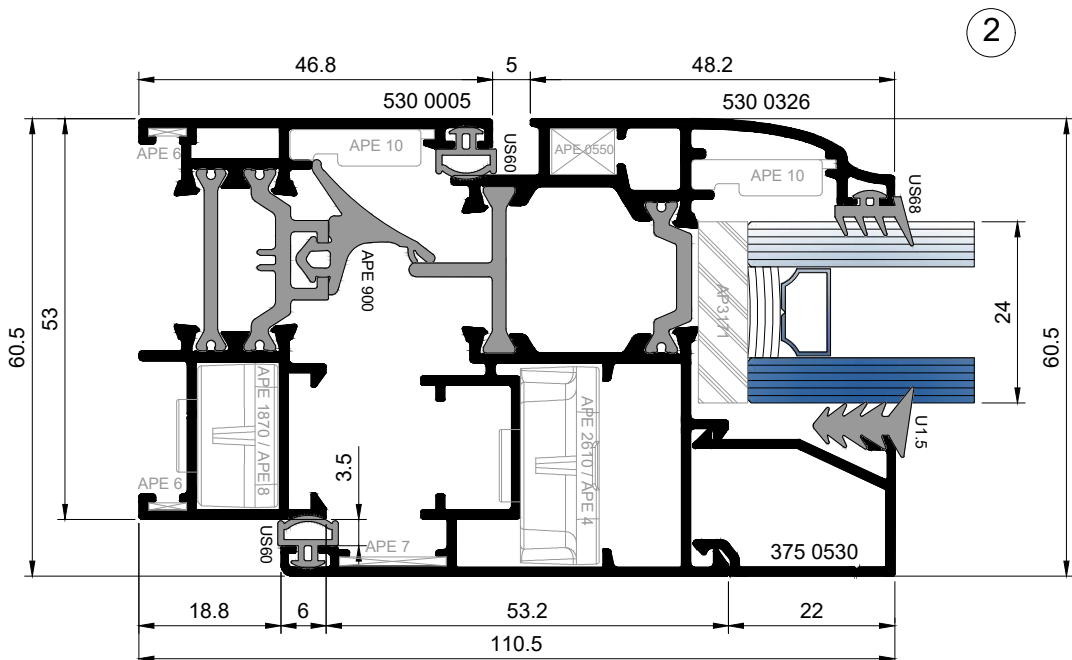
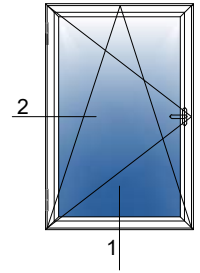
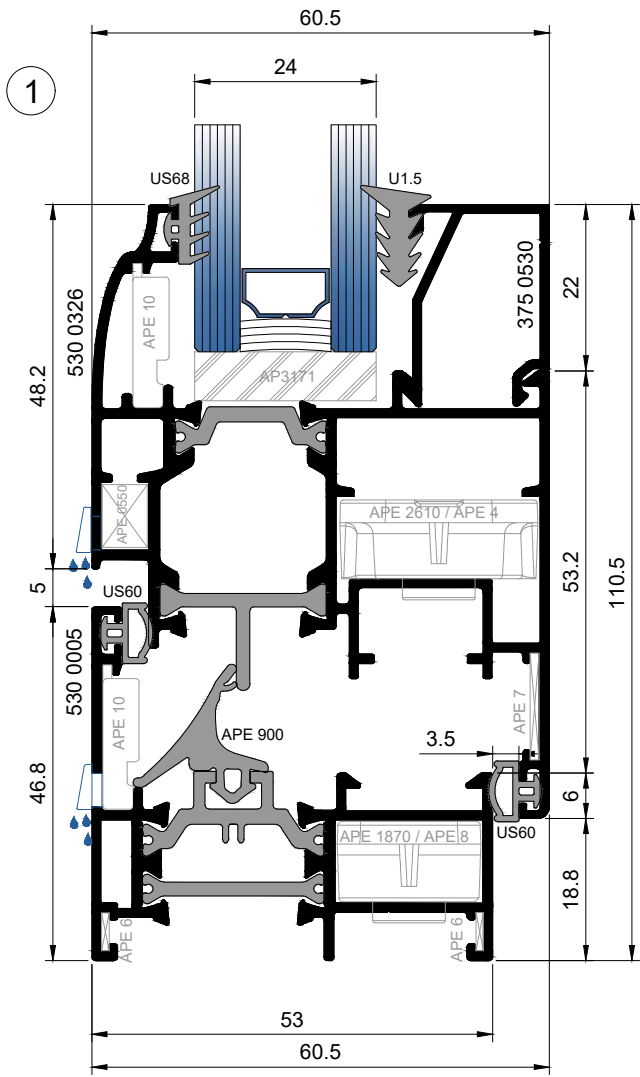




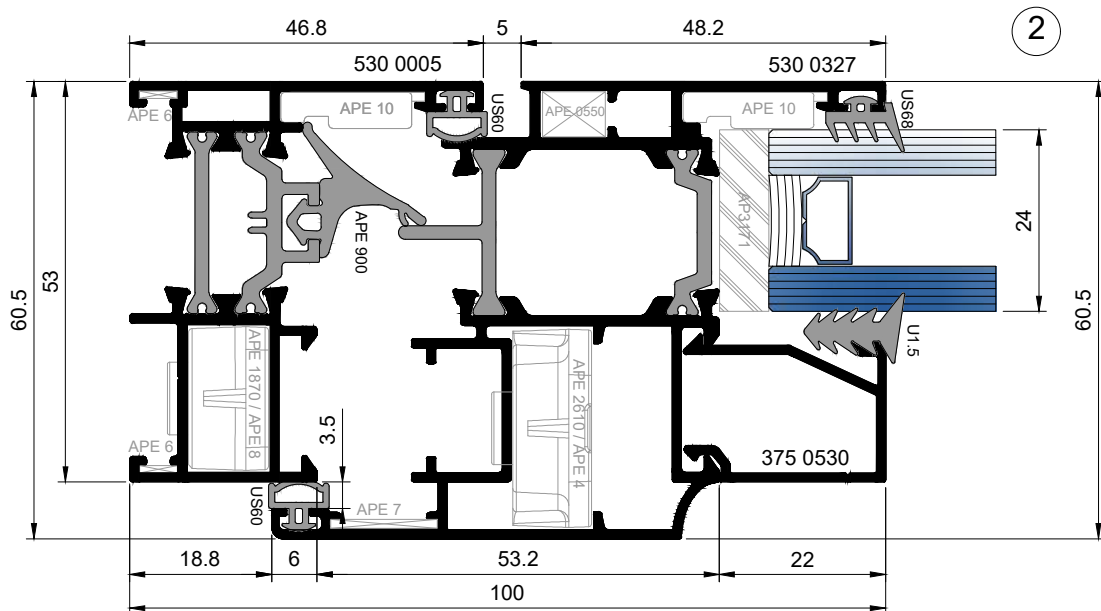
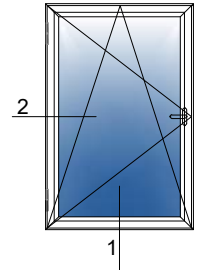
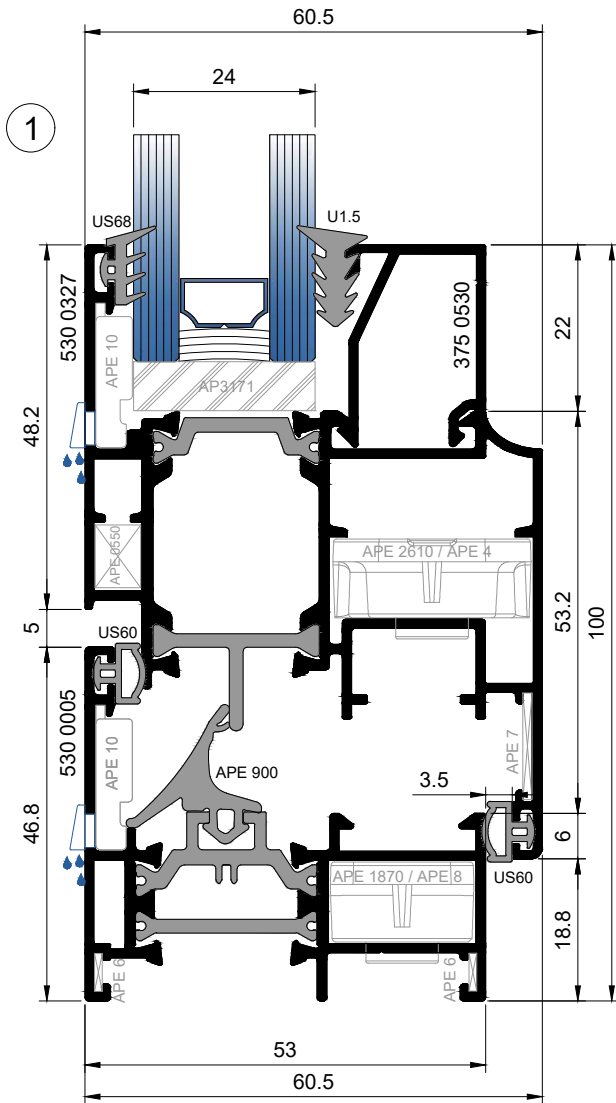




\*PVC hardware\*

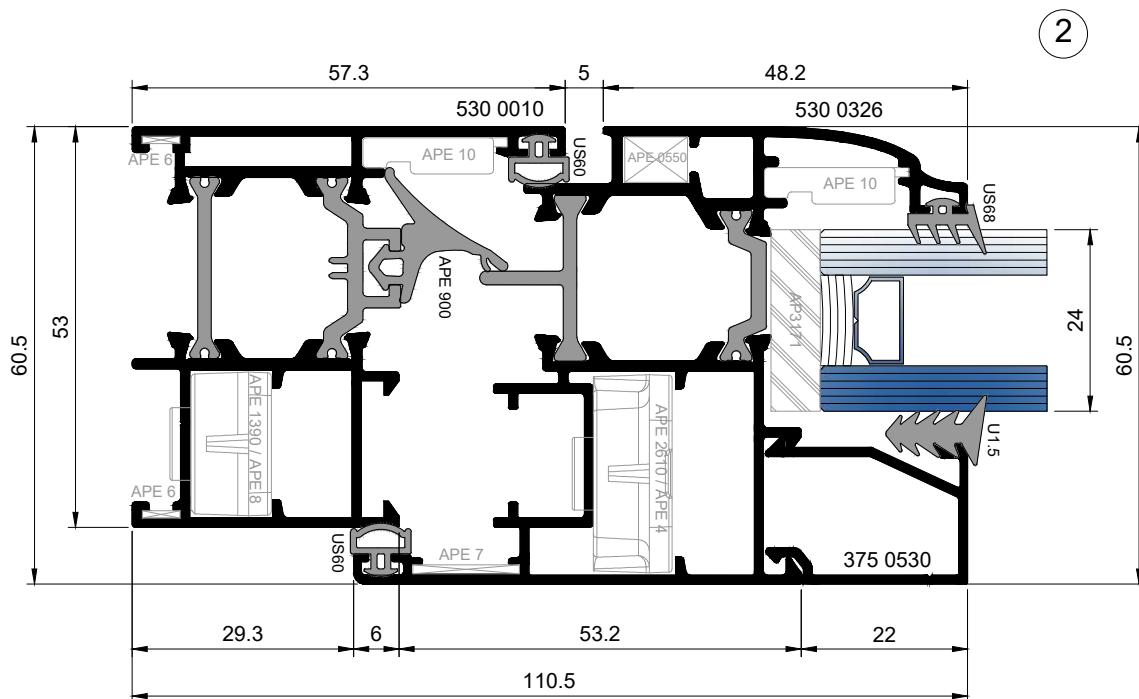
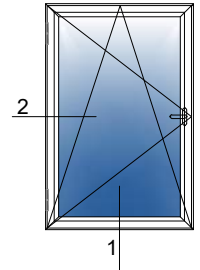
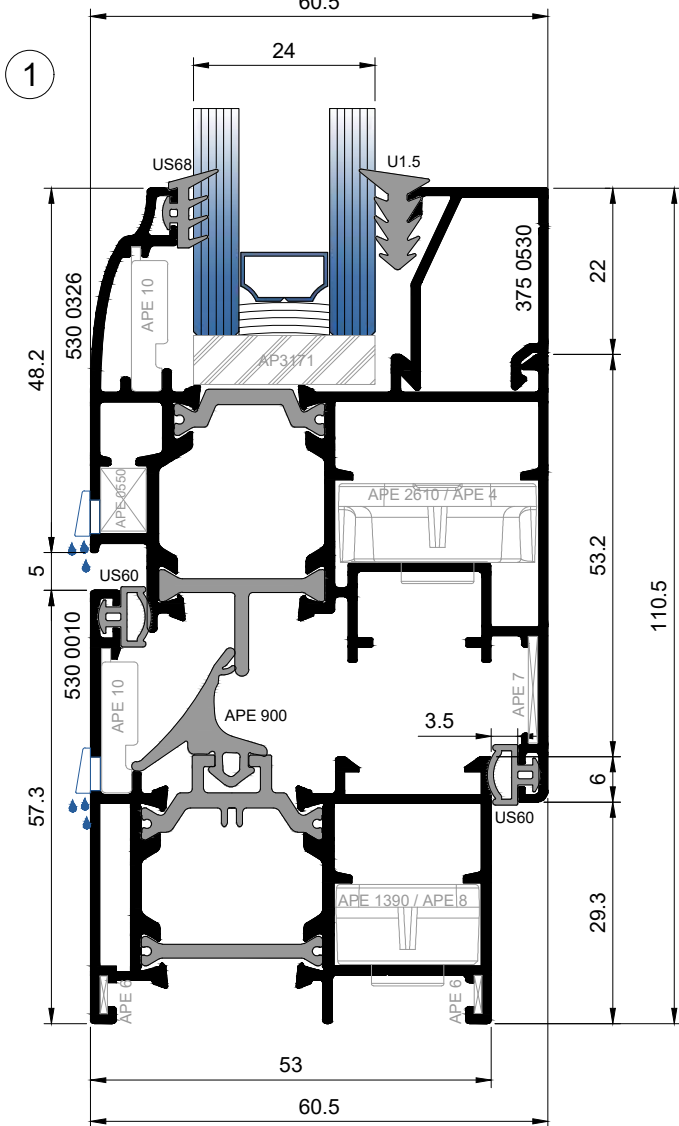


\*PVC hardware\*

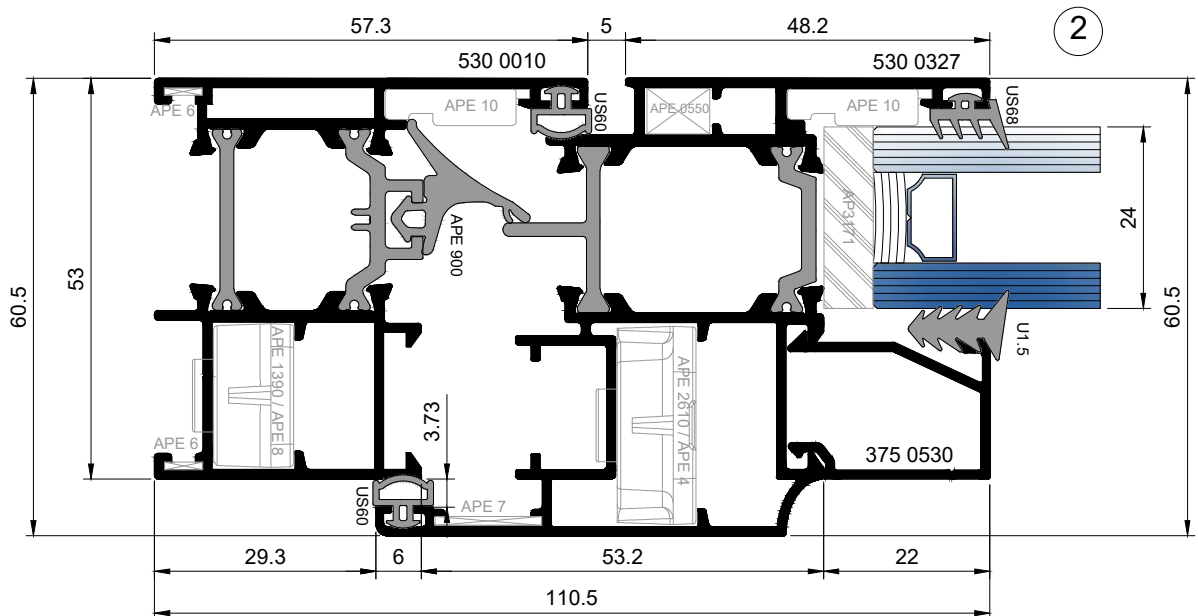
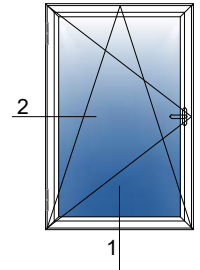
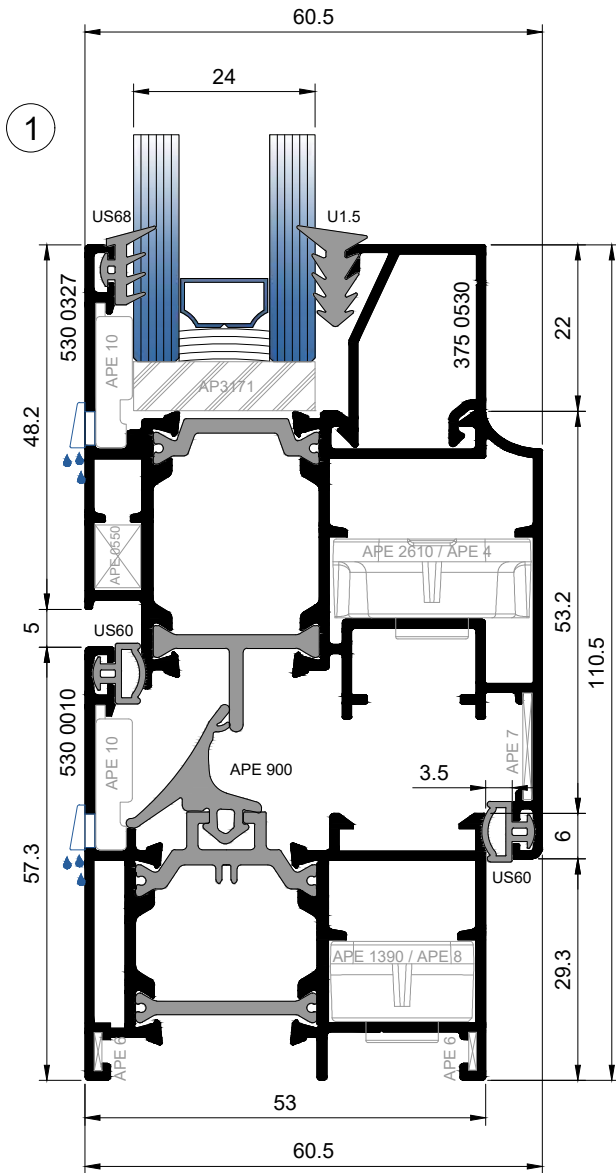


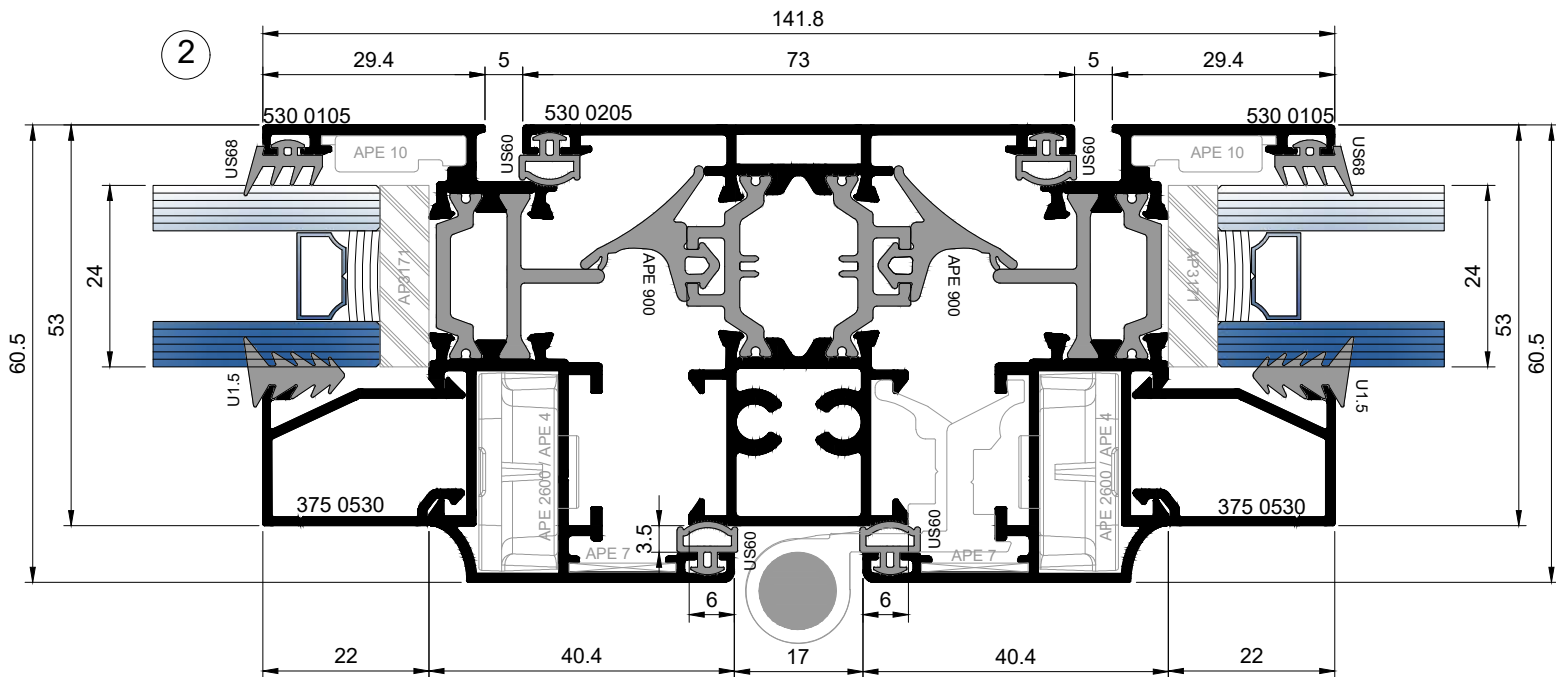
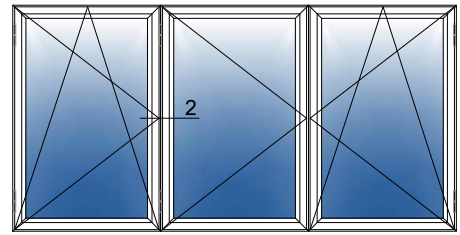
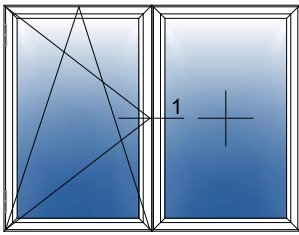
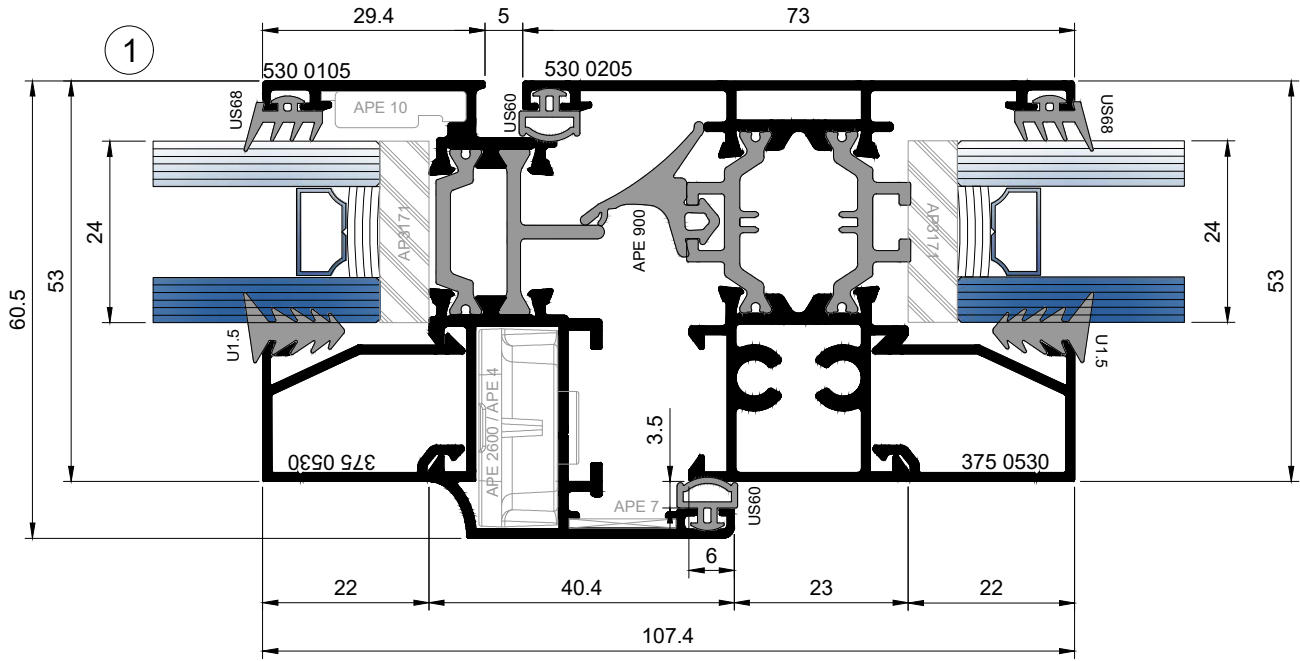


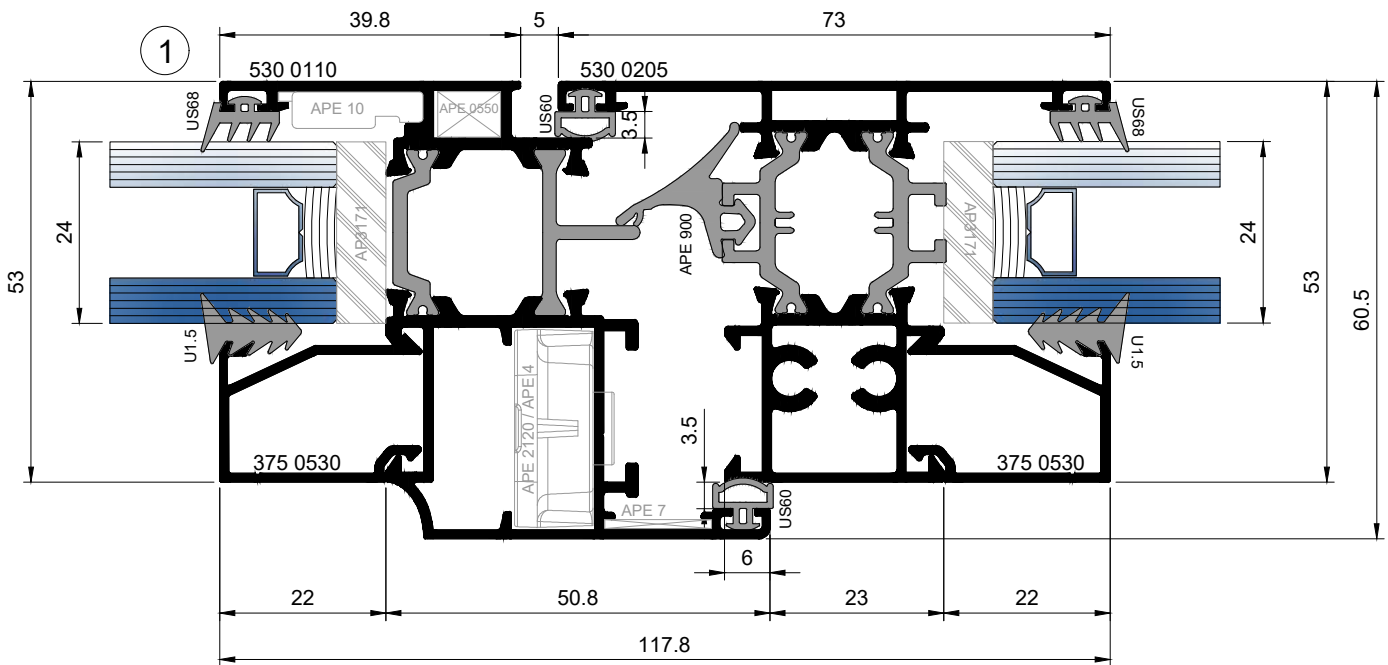
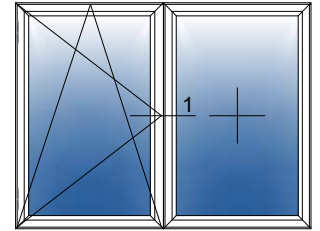
\*PVC hardware\*



\*PVC hardware\*

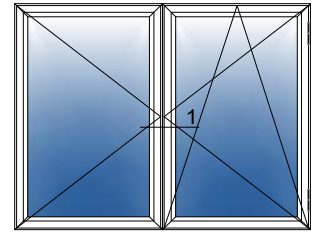
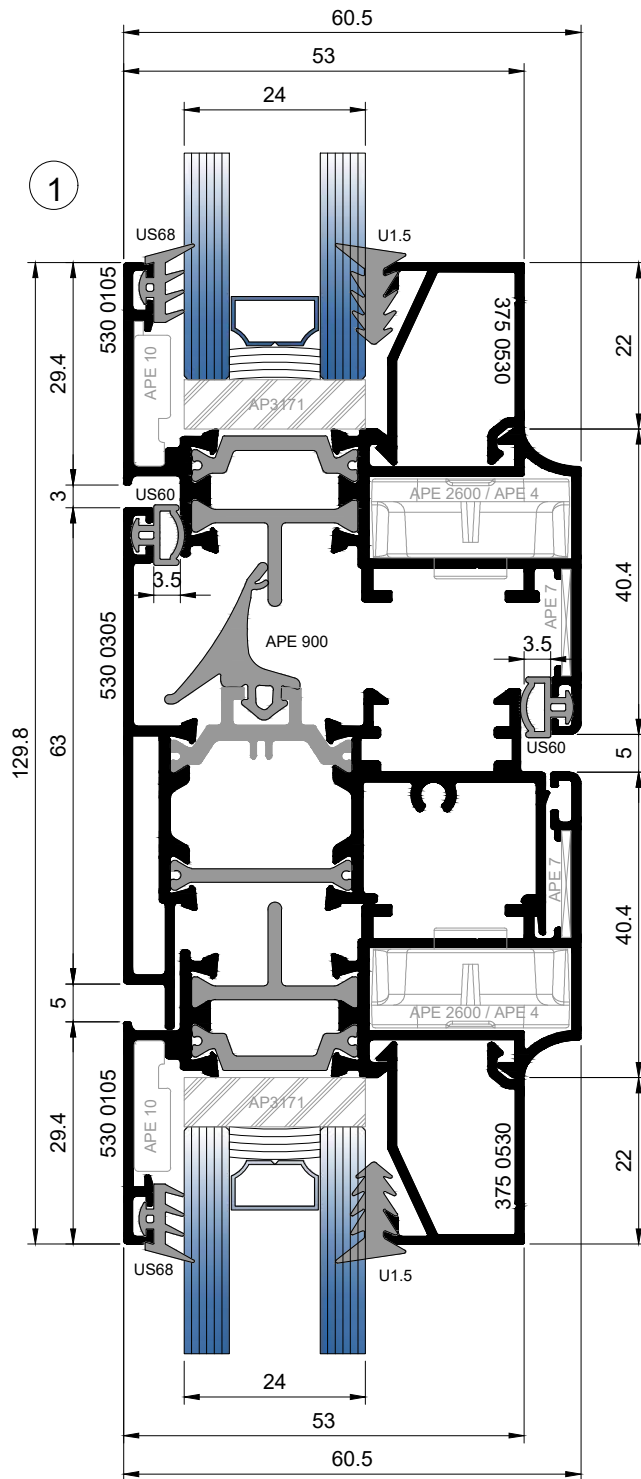


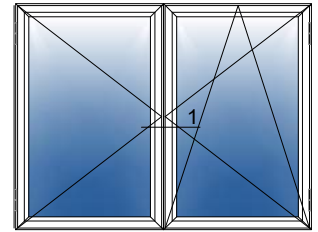
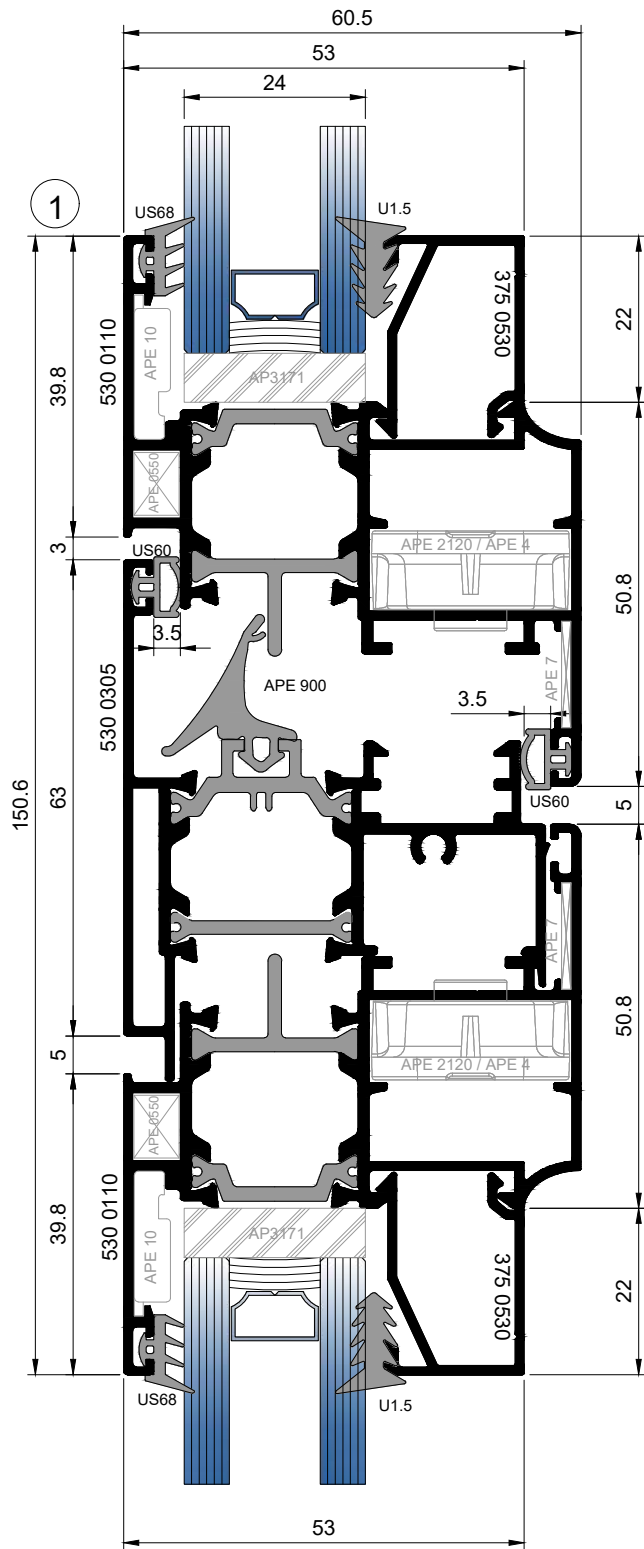






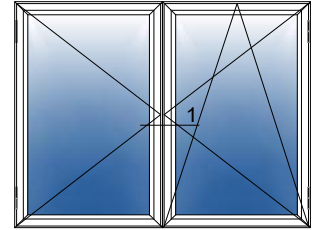
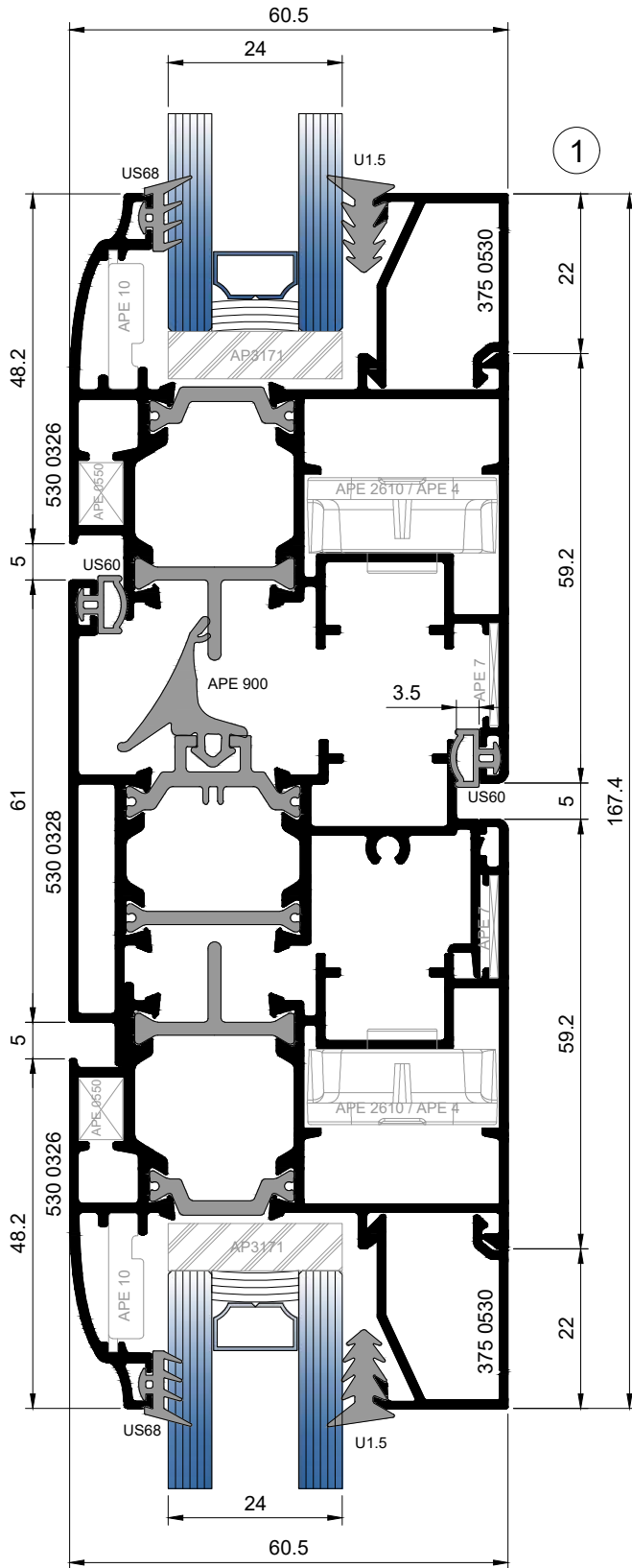




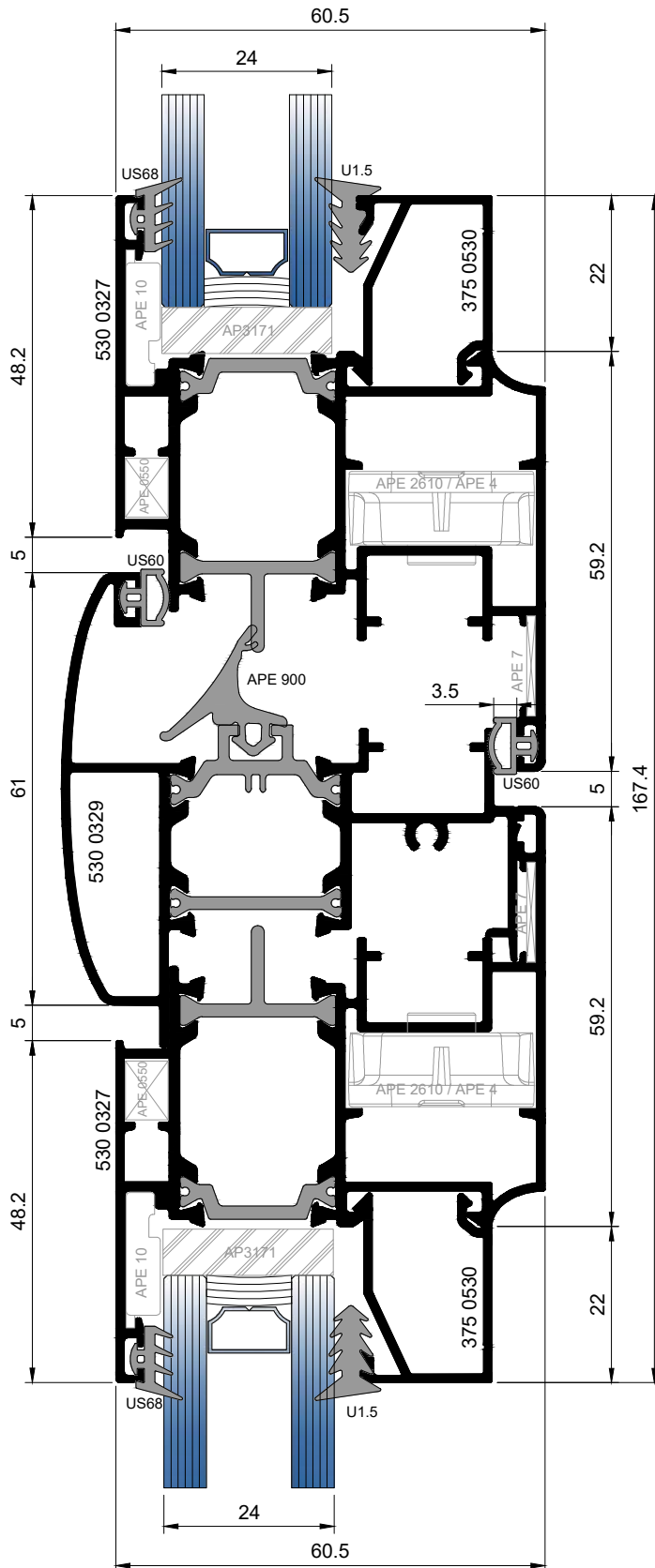
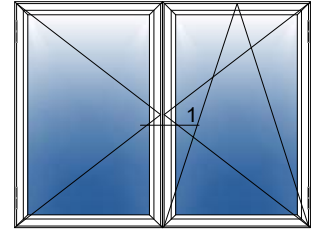


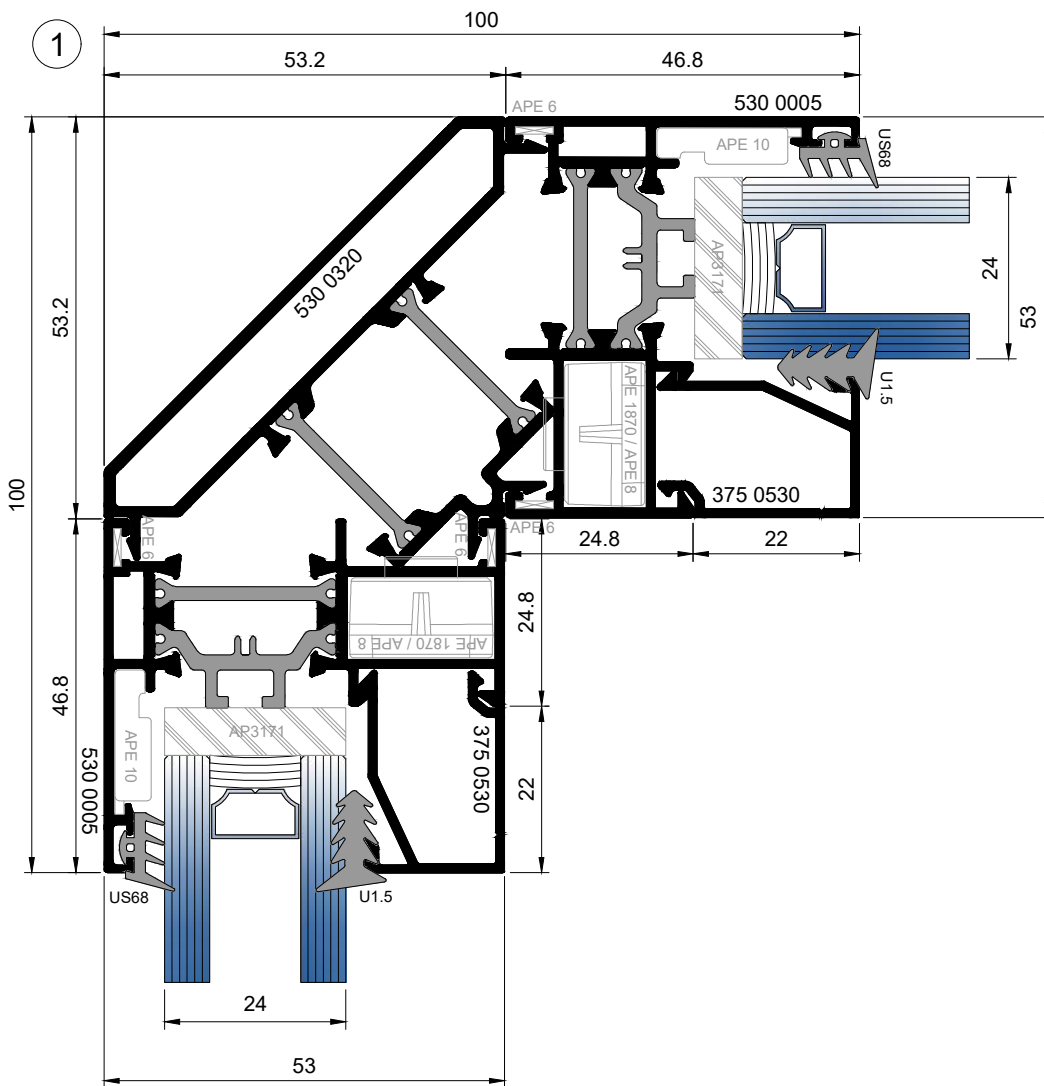
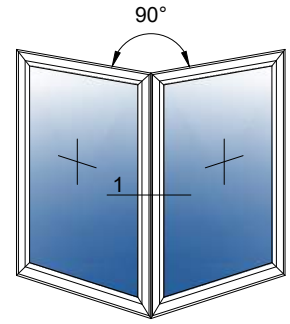


\*PVC hardware\*



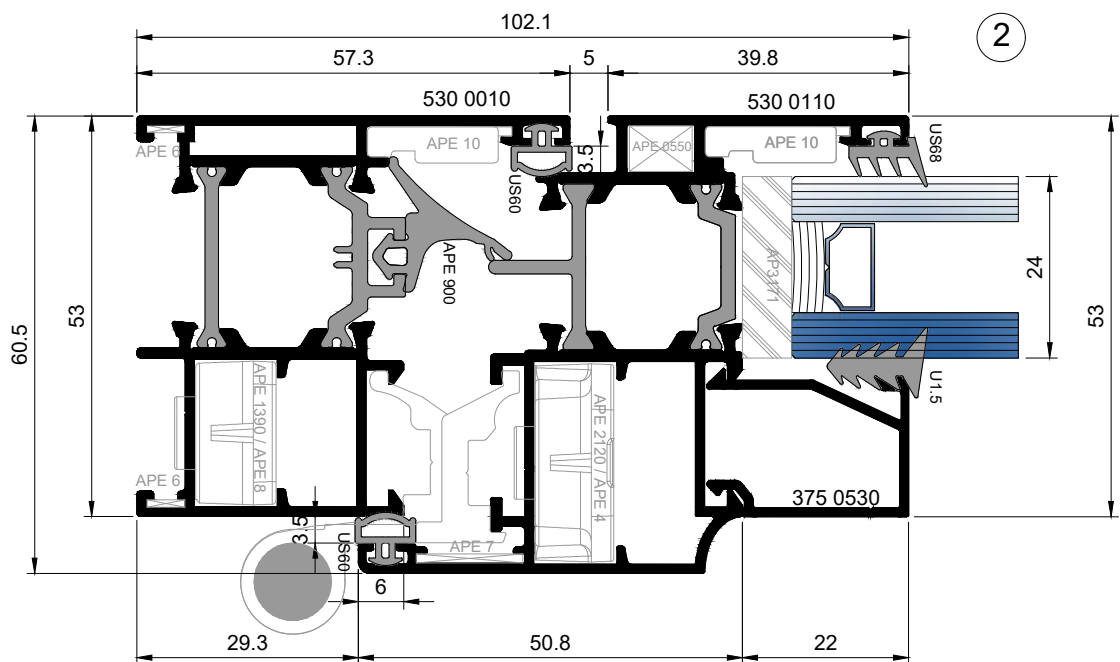
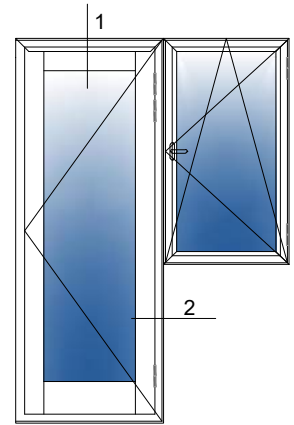
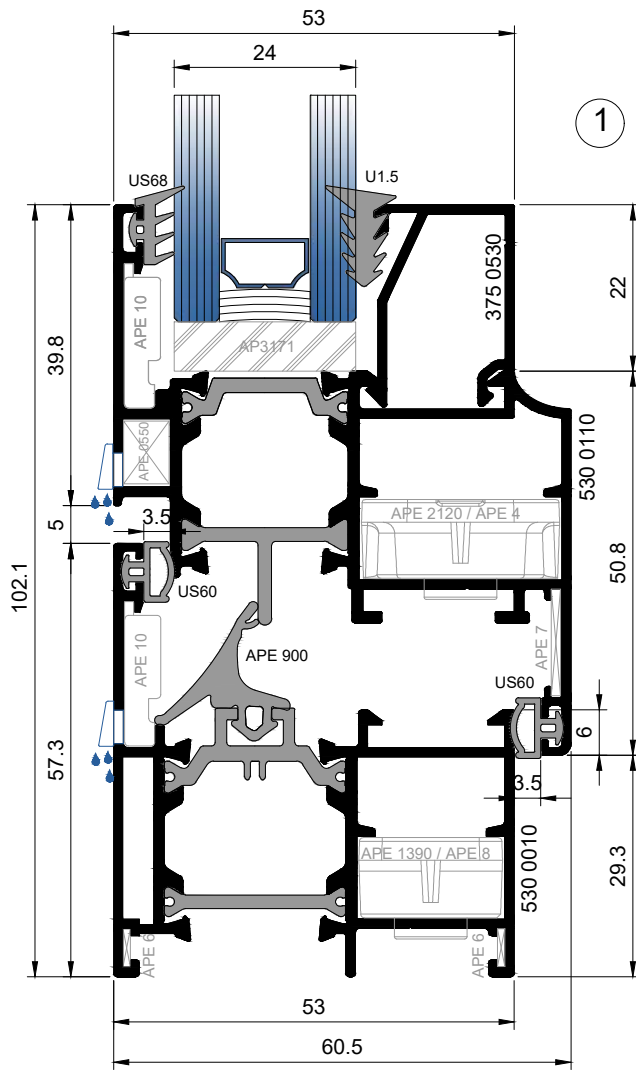
\*PVC hardware\*







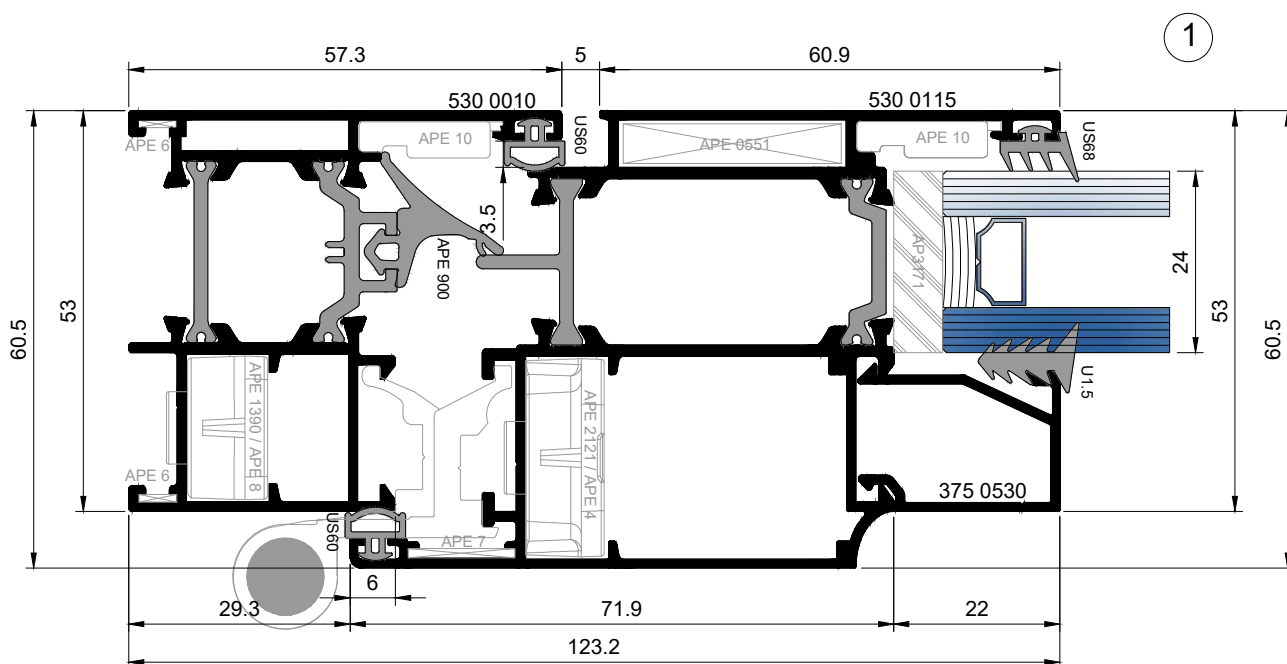
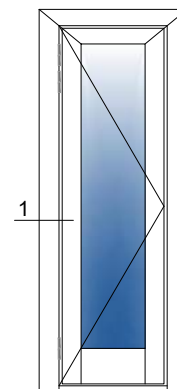




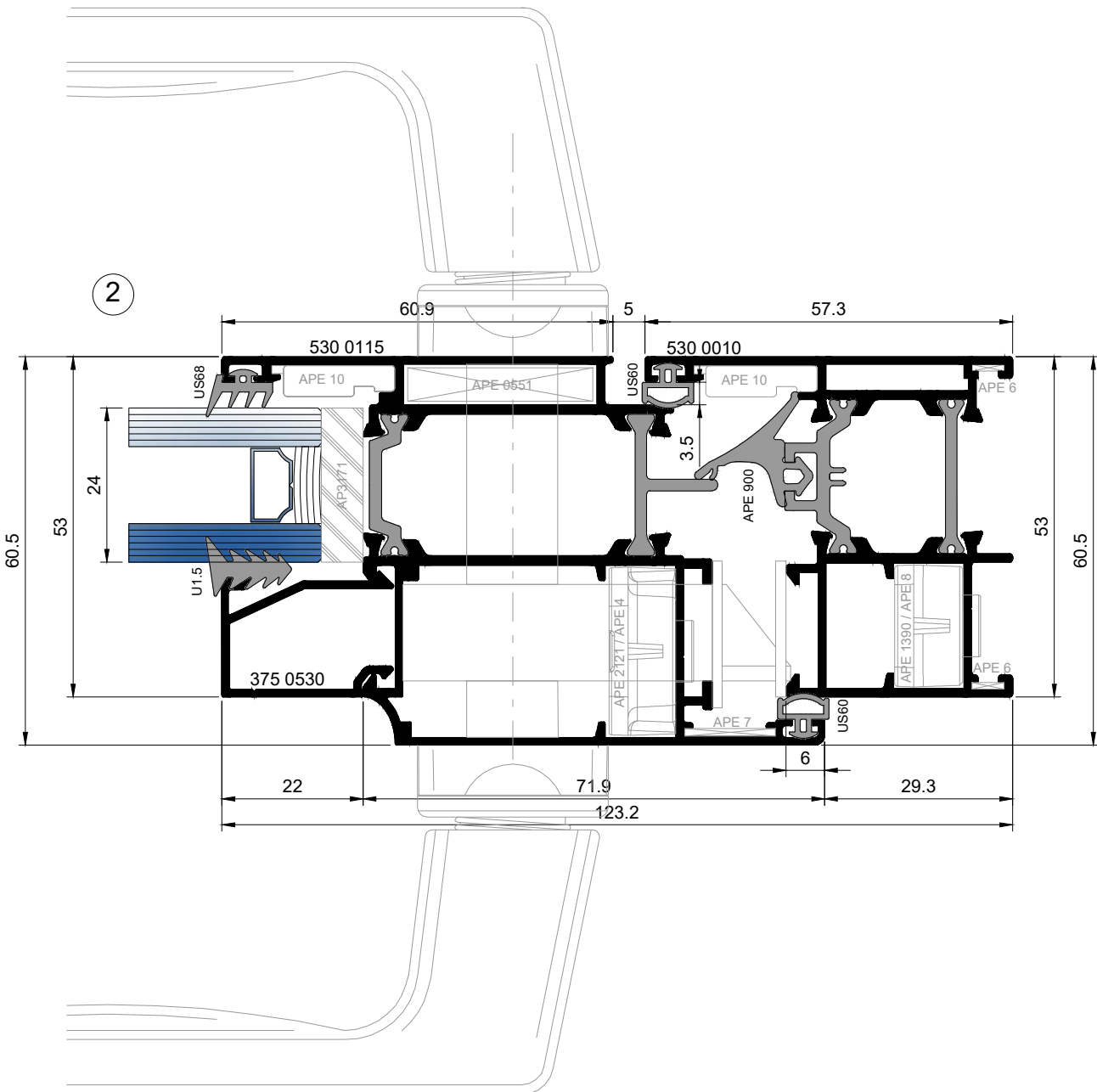
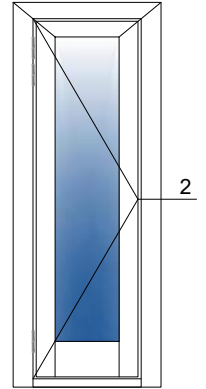


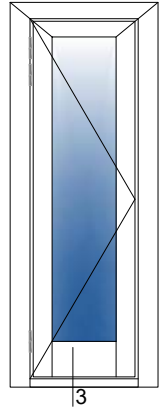
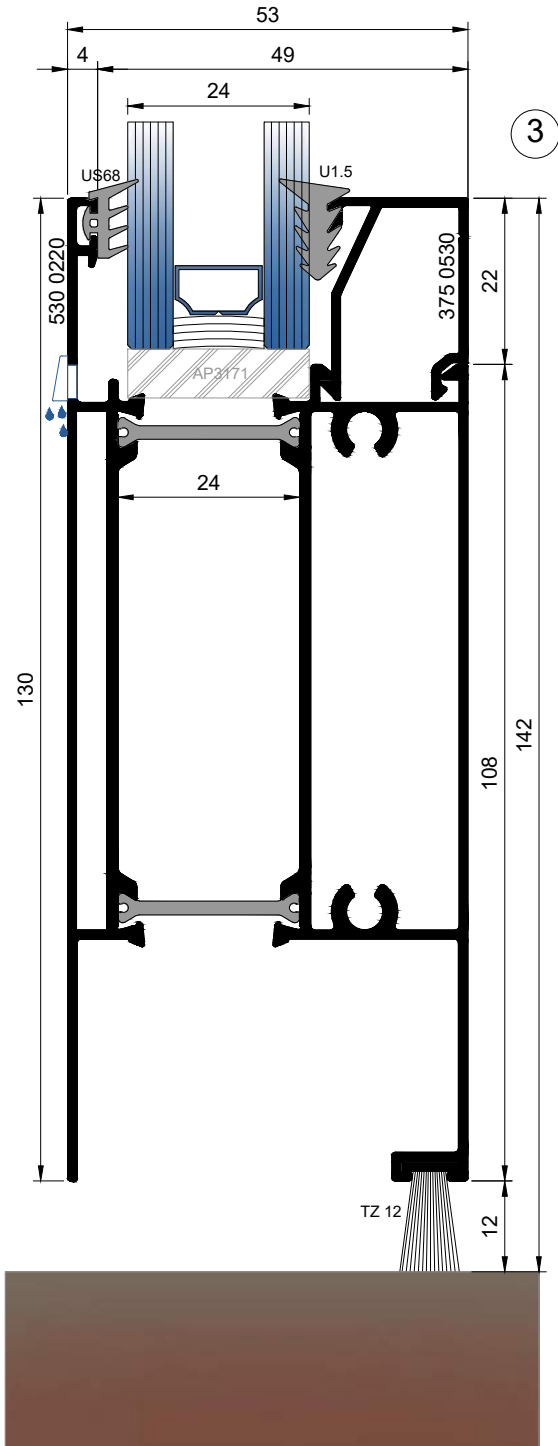


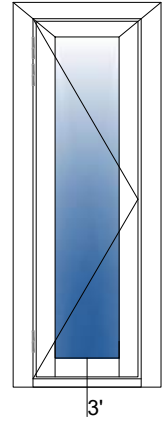
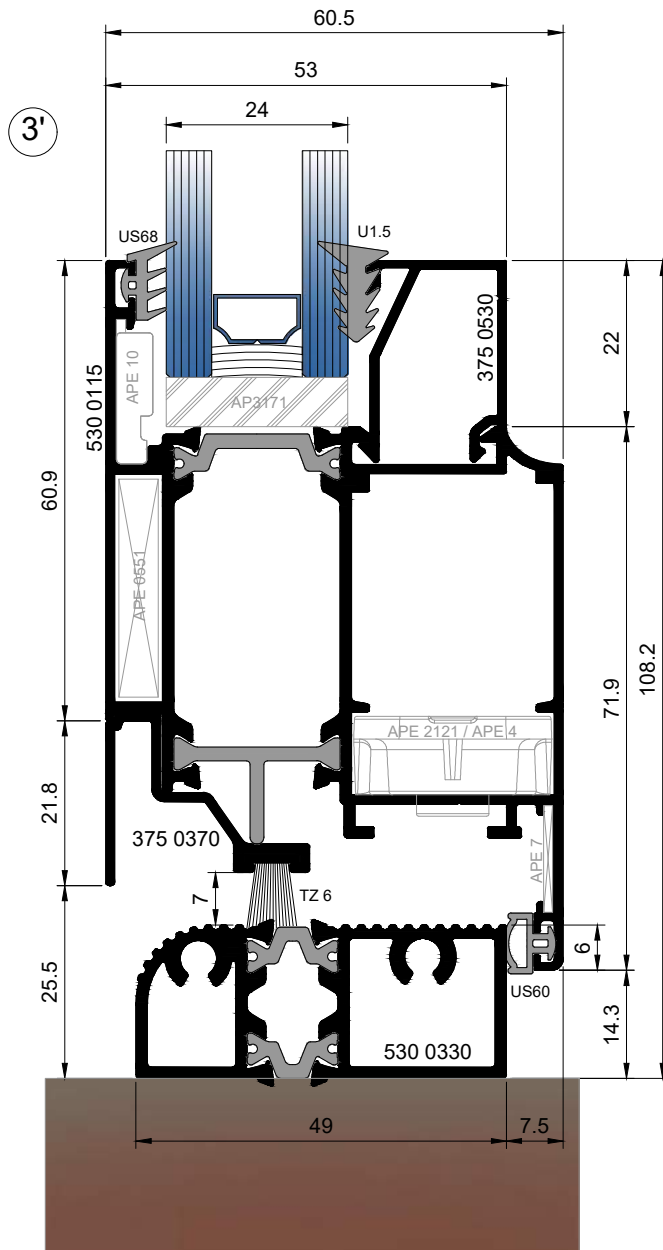


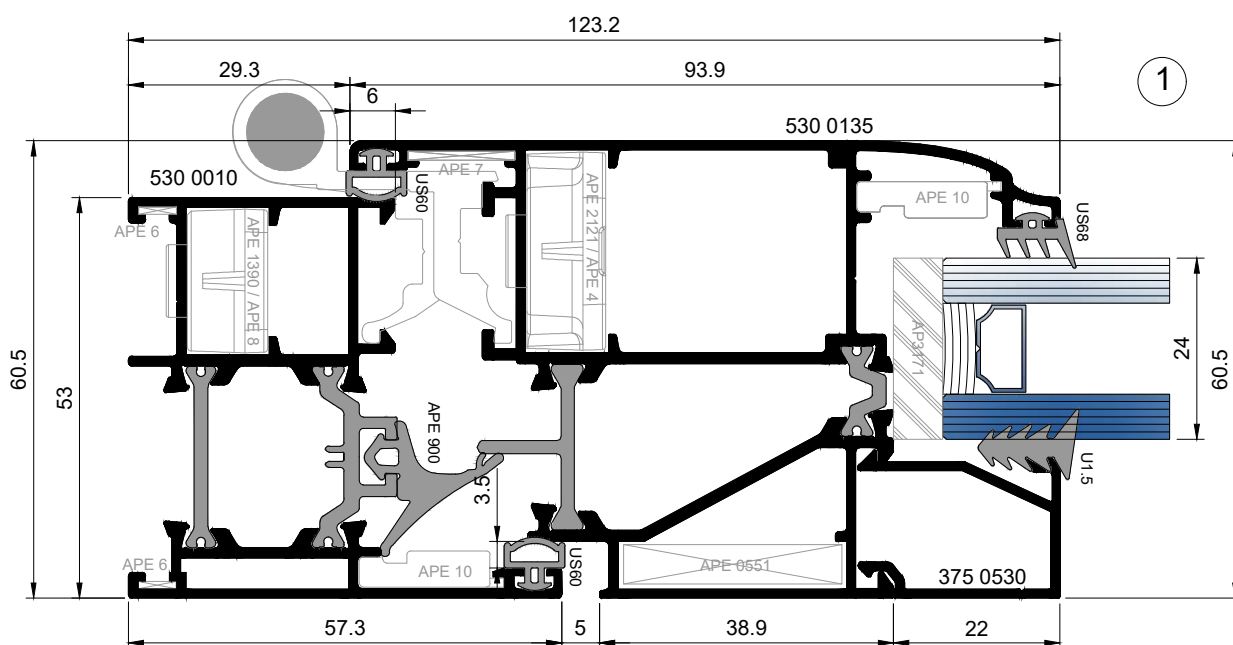
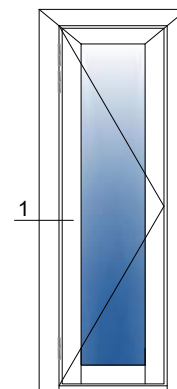


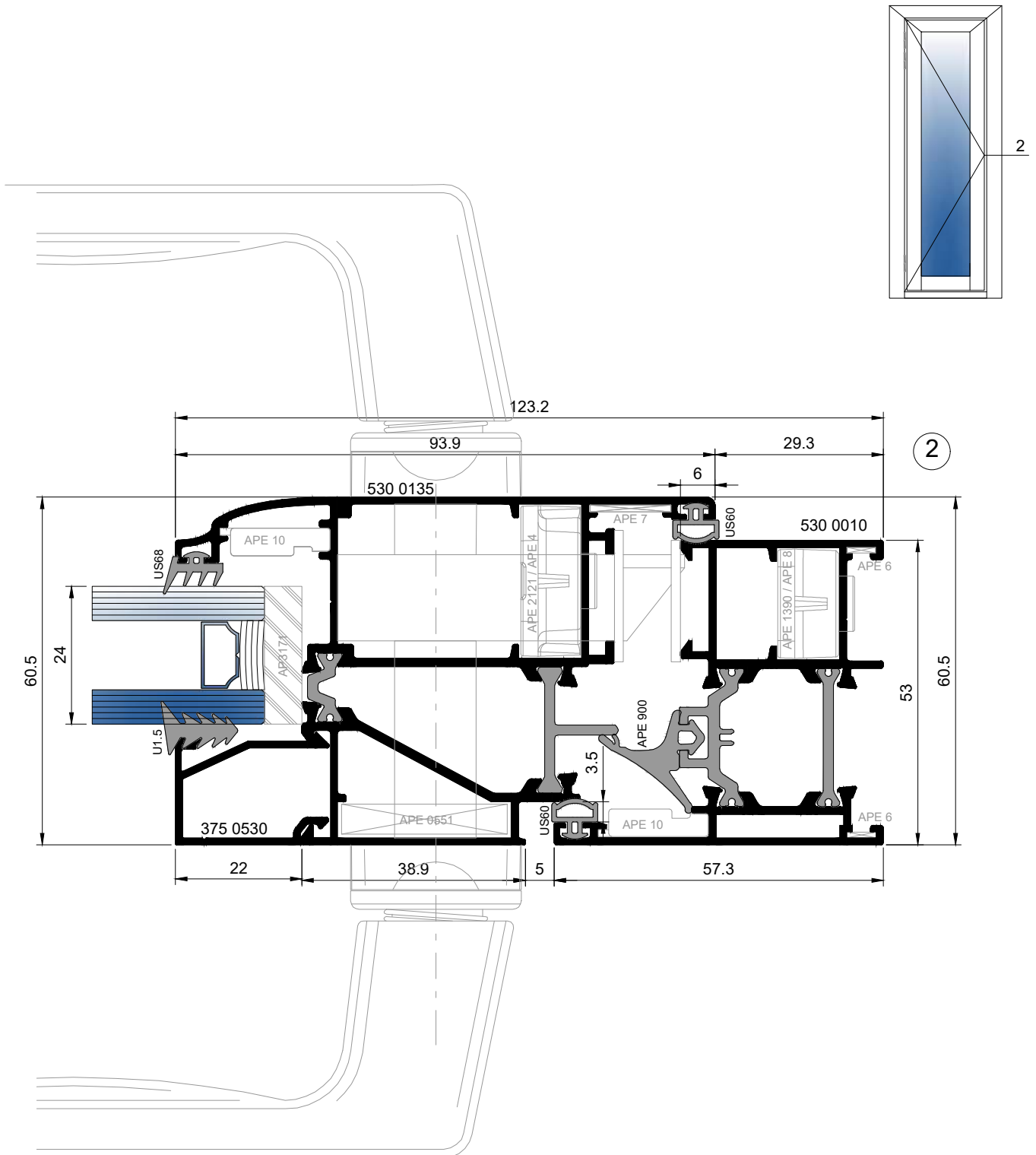
1

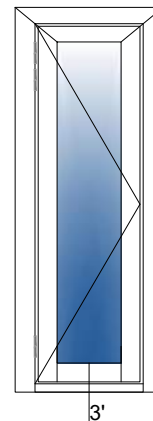
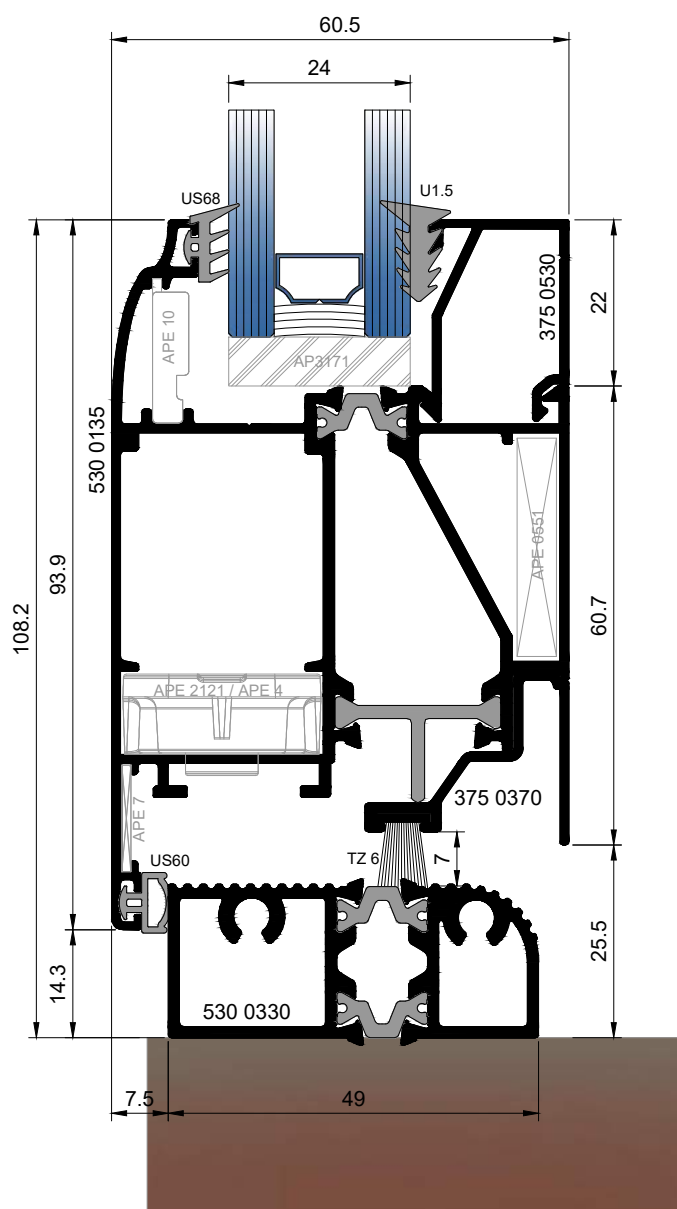


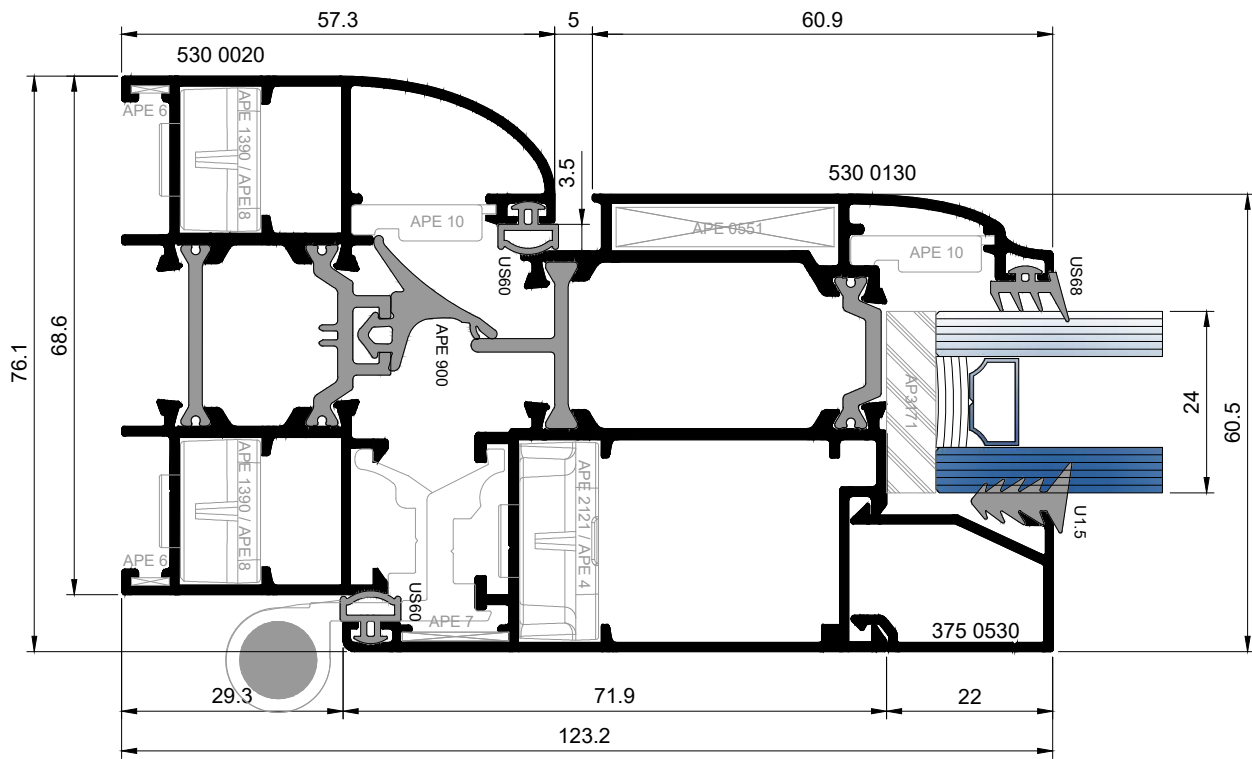
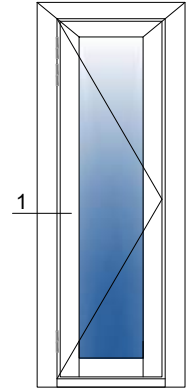




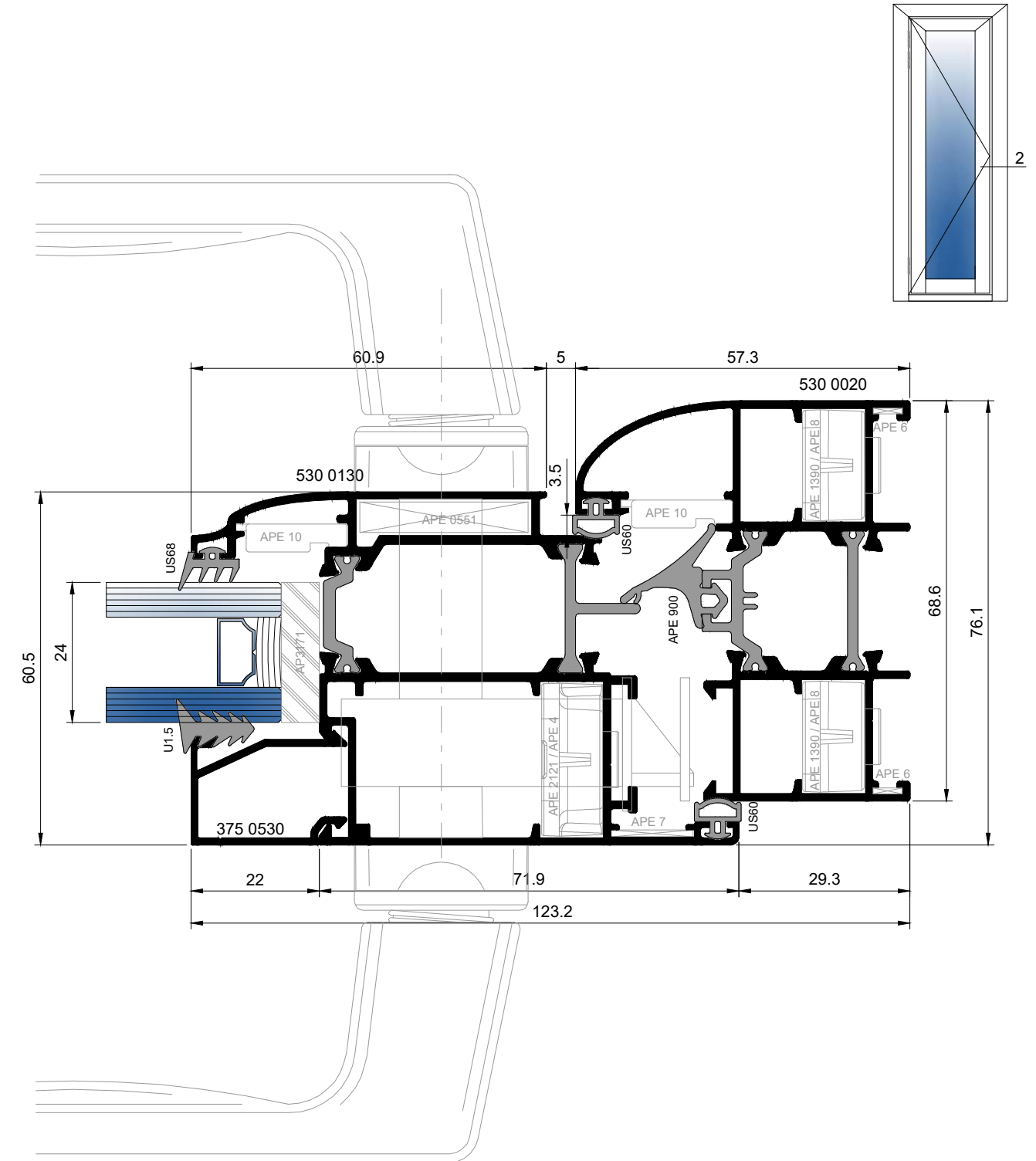


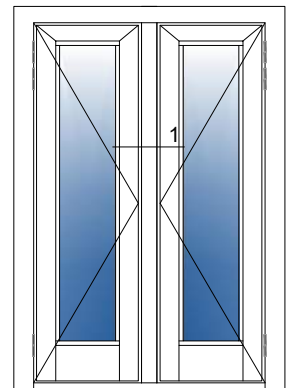
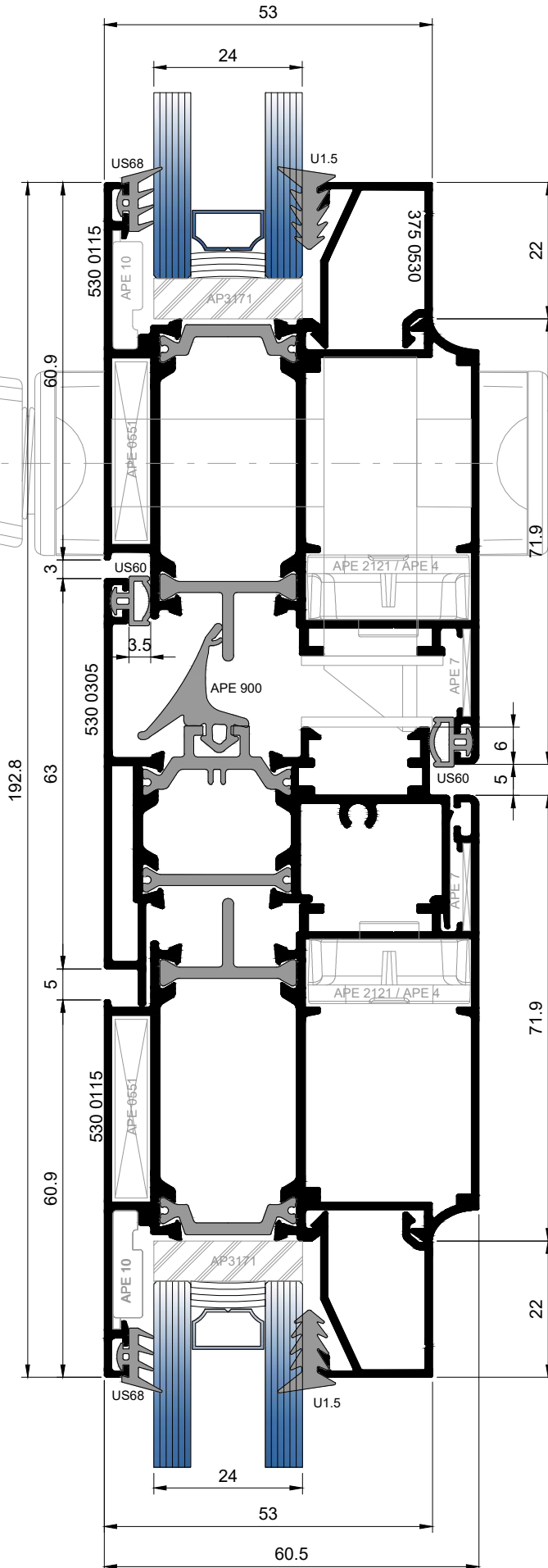


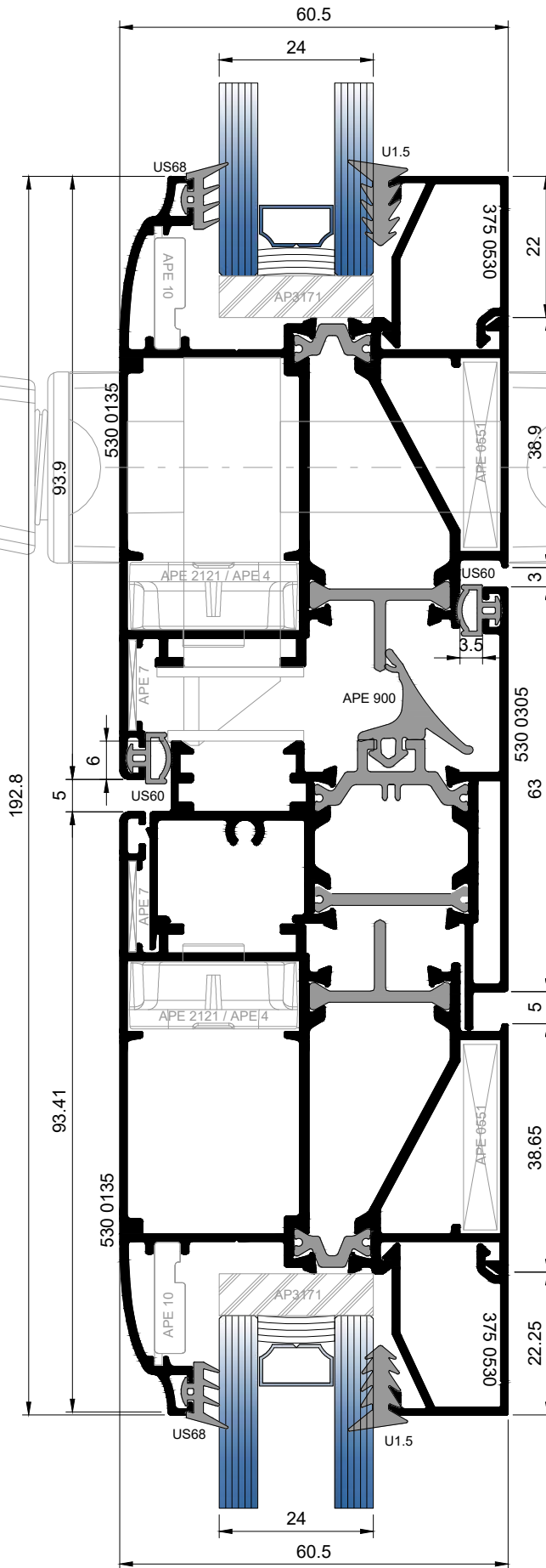




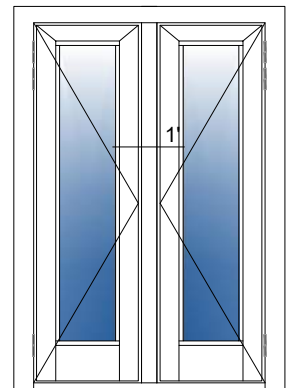




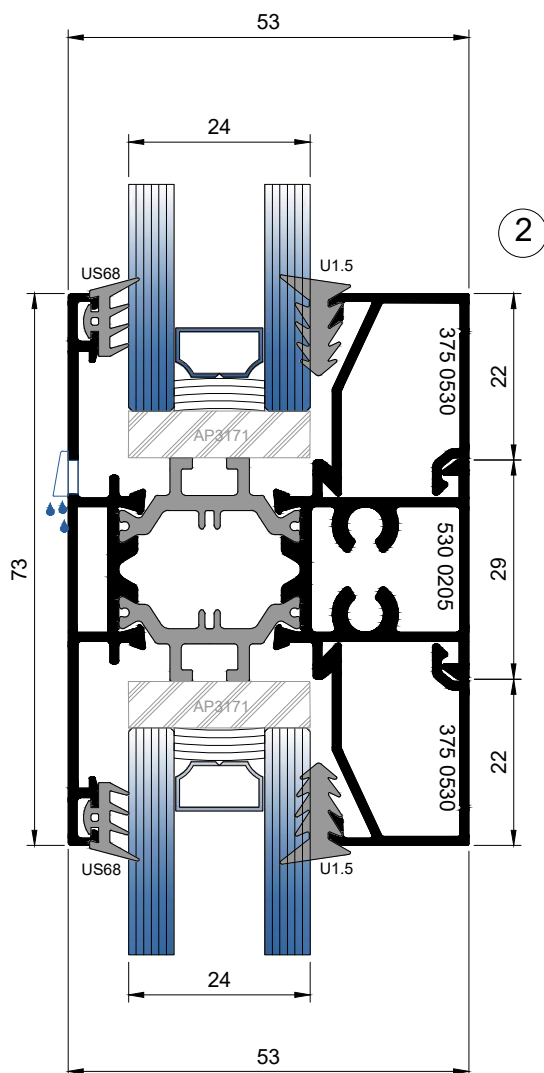
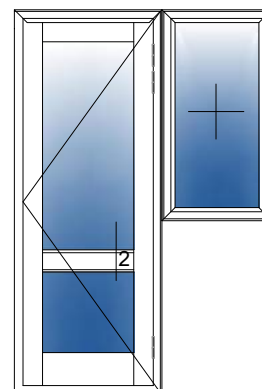


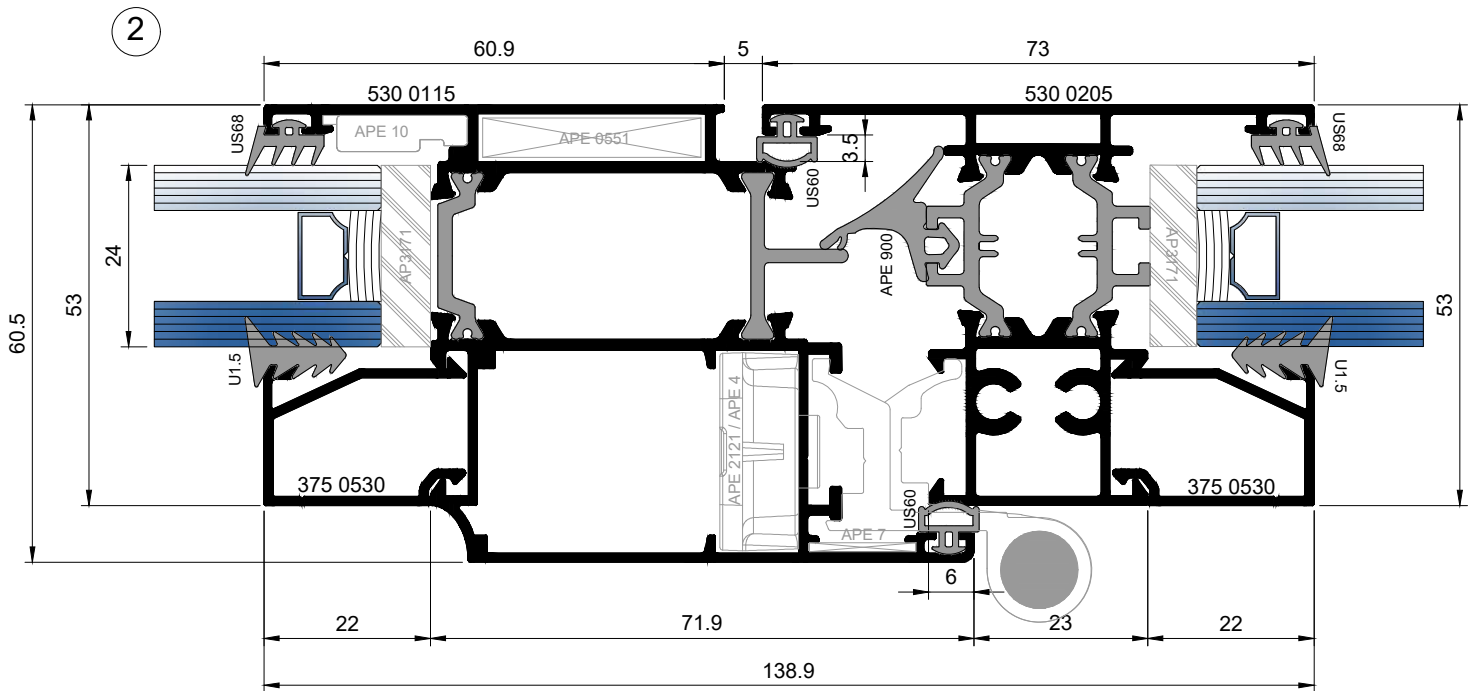
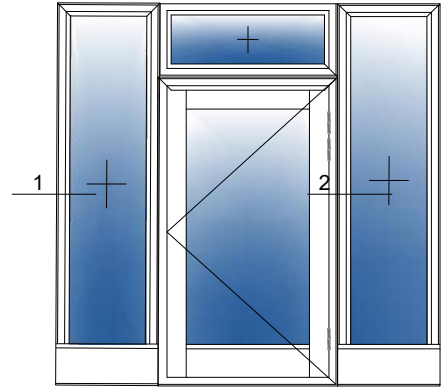
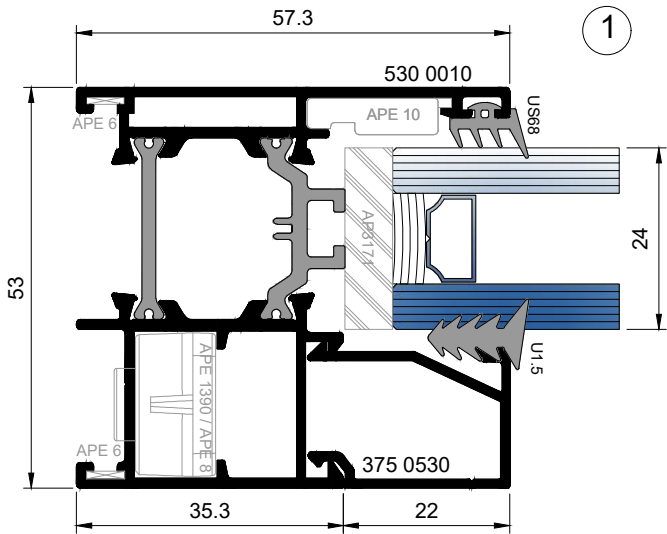


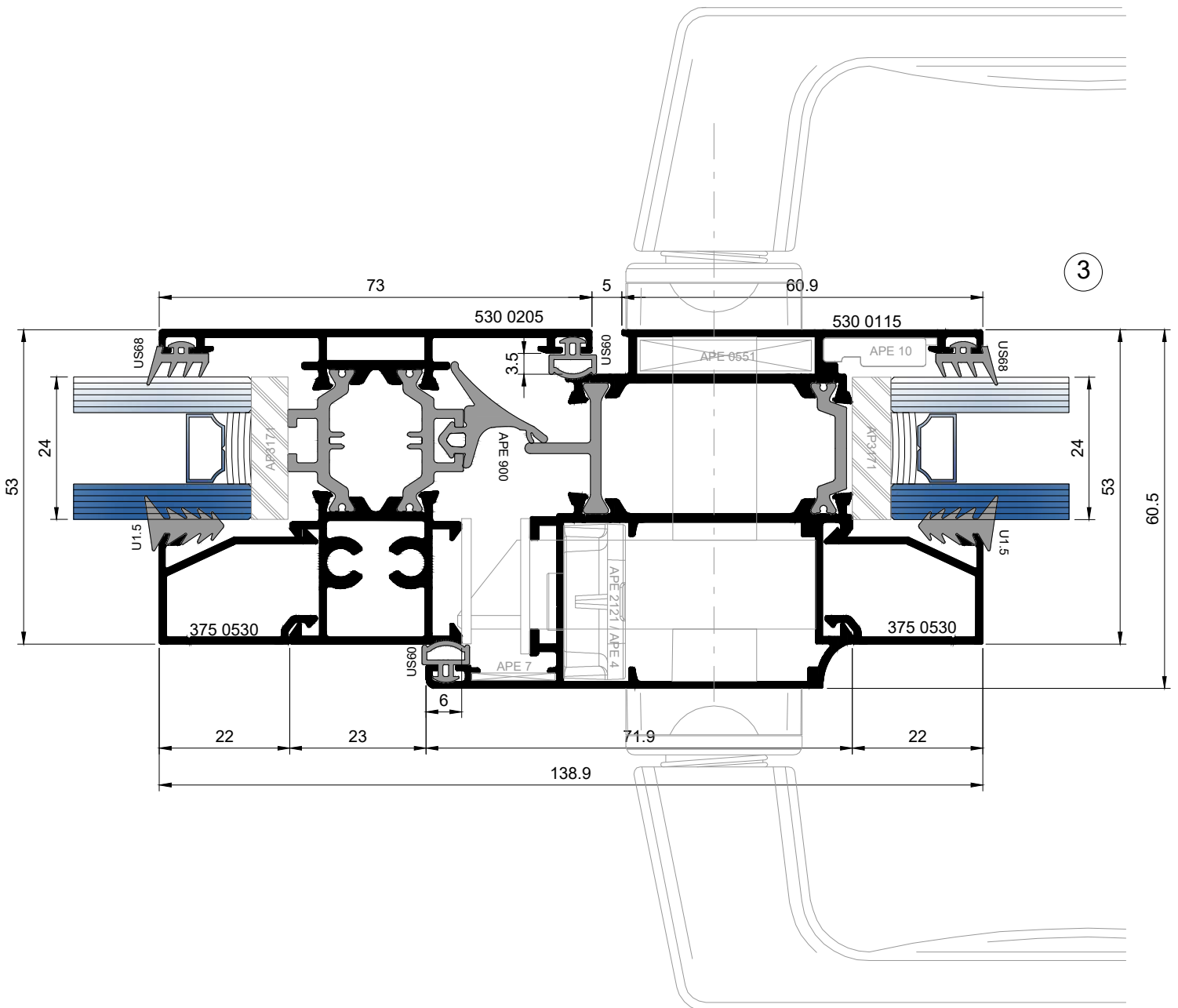
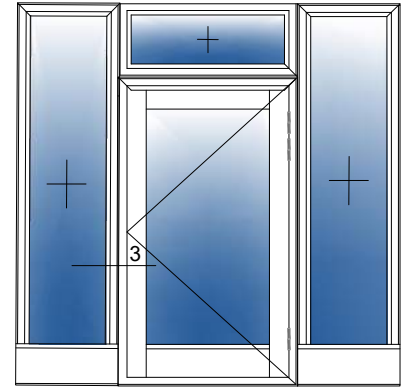
1'

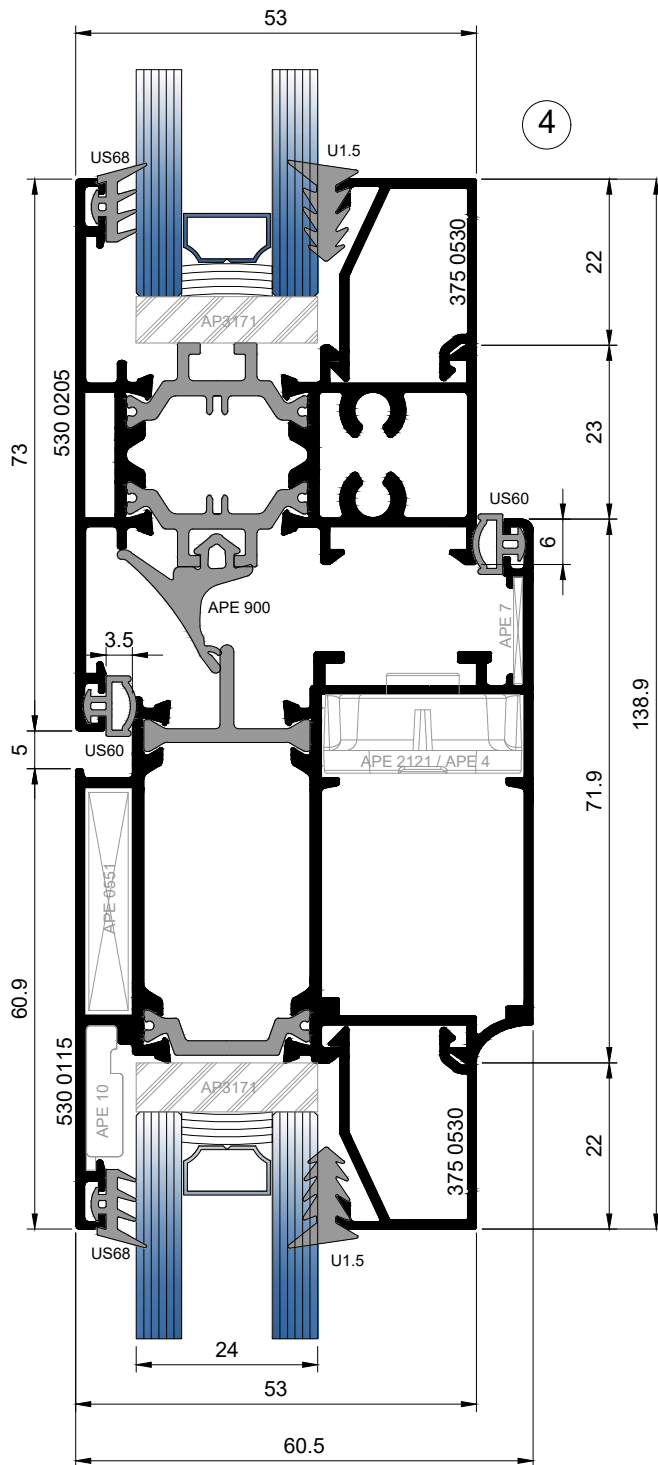
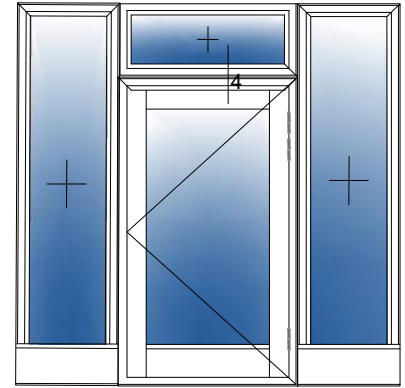






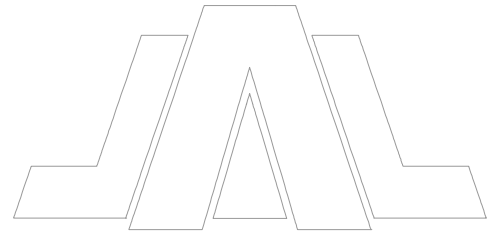




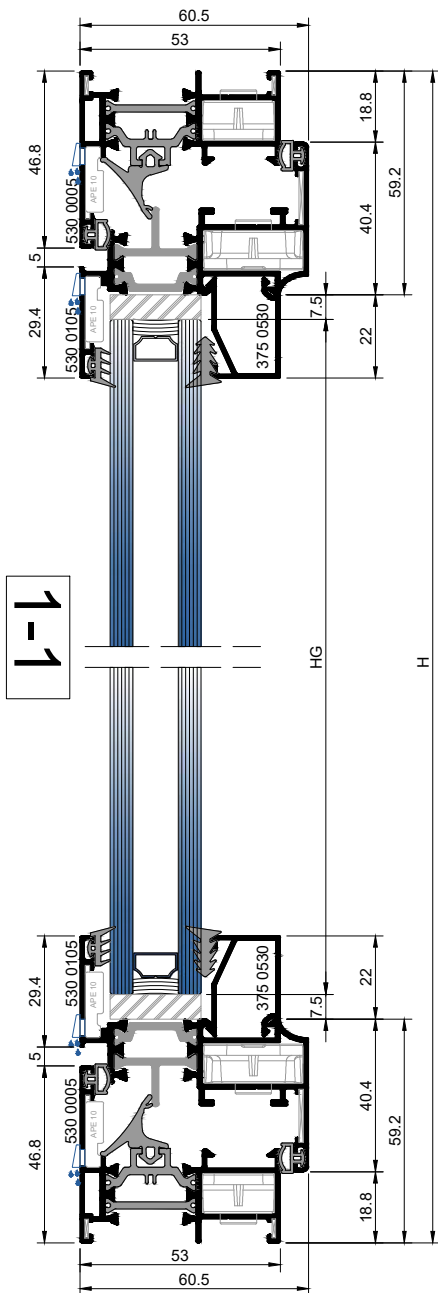


4

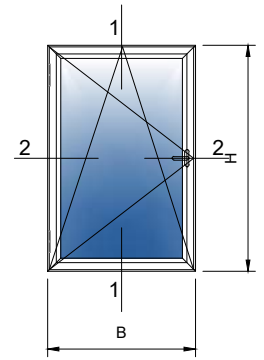




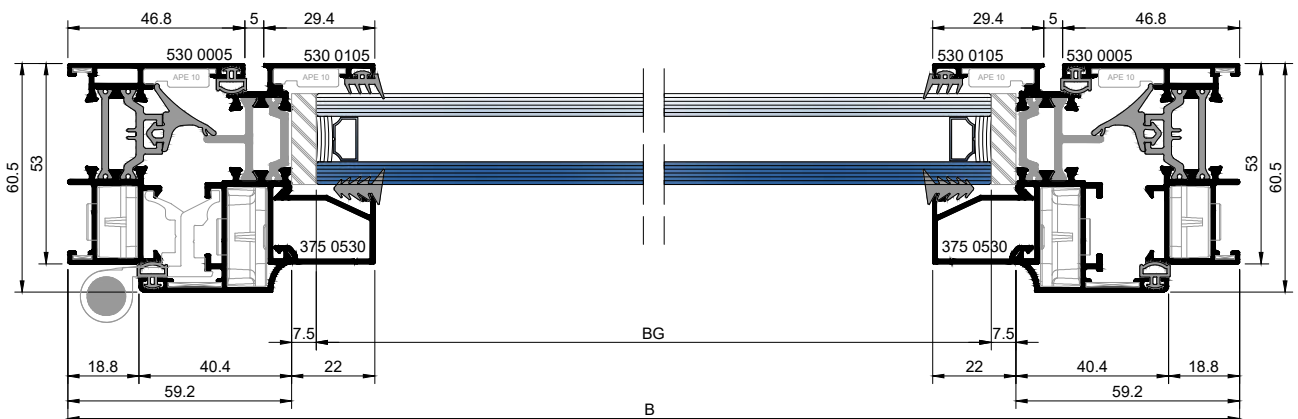
# **CUTTING ANALYSIS**



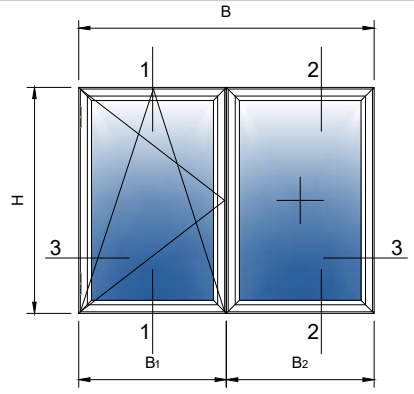
| PROFILES                       |                 |               |
|--------------------------------|-----------------|---------------|
| FRAME                          | 2pcs=B          |               |
|                                | 2pcs=H          |               |
| SASH                           | 2pcs=B-37.6 mm  |               |
|                                | 2pcs=H-37.6 mm  |               |
| For frames: 530 0005, 530 0015 |                 |               |
| GLASSHOLDER                    | 2pcs=B-118.4 mm |               |
|                                | 2pcs=H-162.4 mm |               |
| For frames: 530 0005, 530 0015 |                 |               |
| For sashes: 530 0105, 530 0120 |                 |               |
| GLASS                          | Glass width     | BG=B-133.4 mm |
|                                | Glass height    | HG=H-133.4 mm |



2-2

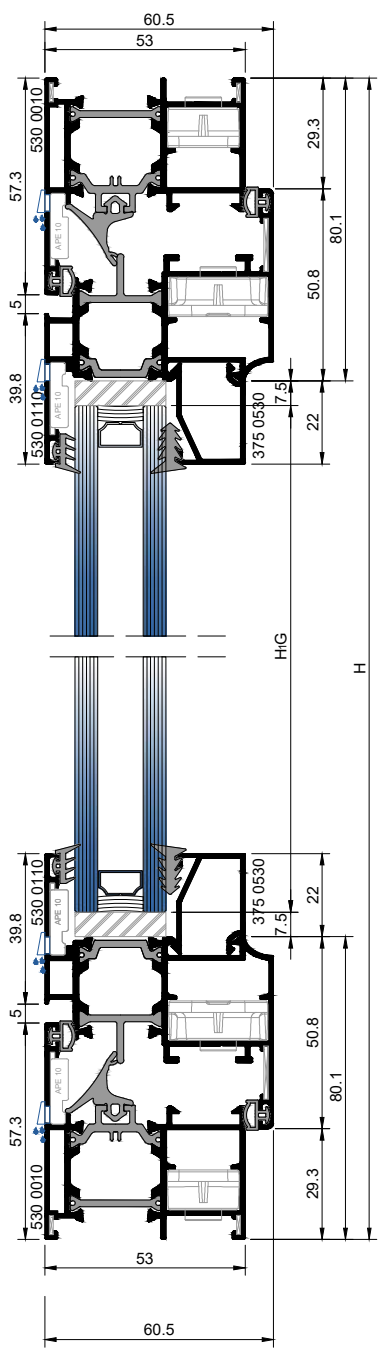




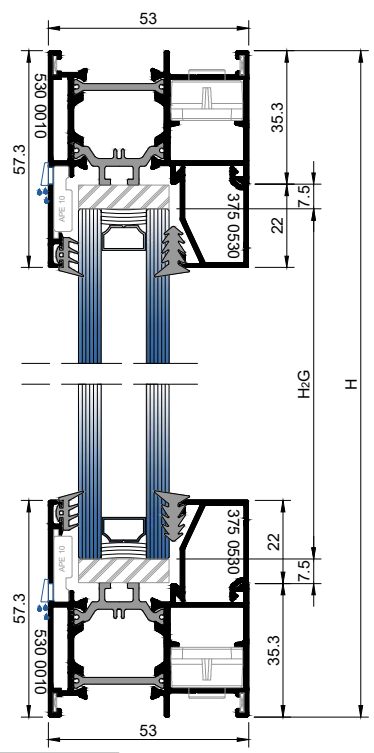


| PROFILES   |                               |  |
|--|-------------------------------|--|
| FRAME  | 2pcs=B                        |  |
|  | 2pcs=H                        |  |
| SASH   | 2pcs=B-37,8* mm               | Only for 530 0205*                       |
|  | 2pcs=H-58.6mm                 |  |
| For frames: 530 0010, 530 0020                                   |                               |  |
| GLASSHOLDER  | 2pcs=B <sub>1</sub> -139.4mm* |  |
|  | 2pcs=H-204.2mm                |  |
|  | 2pcs=B <sub>2</sub> -49.8mm*  |  |
|  | 2pcs=H-114.6mm                |  |
| For frames: 530 0010, 530 0020<br>For sashes: 530 0110, 530 0125 |                               |  |
| MULLION  | 1pcs=H-70.6mm                 |  |
| For frames: 530 0010, 530 0020                                   |                               |  |
| GLASS  | Glass width                   | B <sub>1</sub> G=B <sub>1</sub> -154.4mm |
|  | Glass height                  | H <sub>1</sub> G=H-175.2 mm              |
|  | Glass width                   | B <sub>2</sub> G=B <sub>2</sub> -64.8mm  |
|  | Glass height                  | H <sub>2</sub> G=H-85.6 mm               |

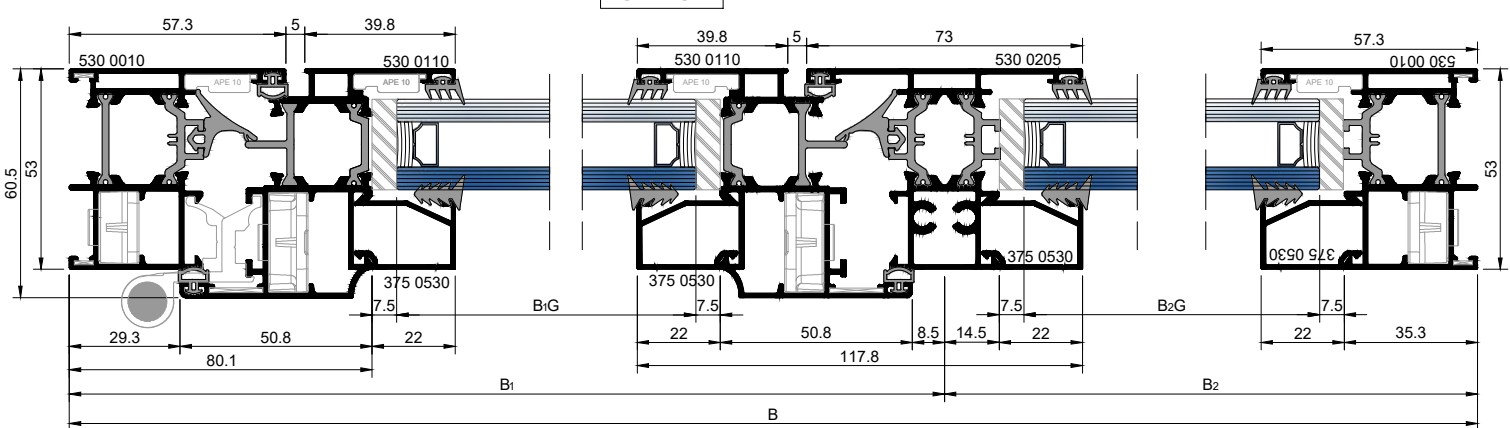
1-1

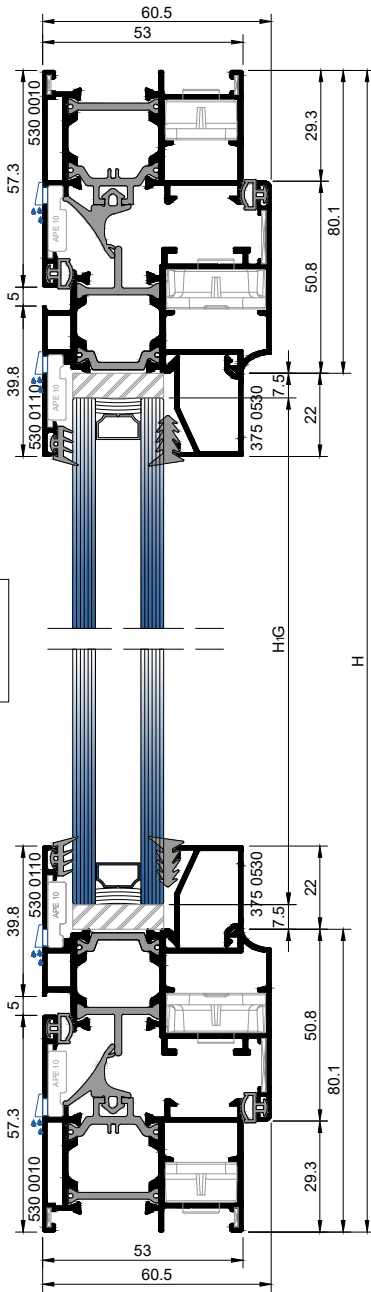


2-2

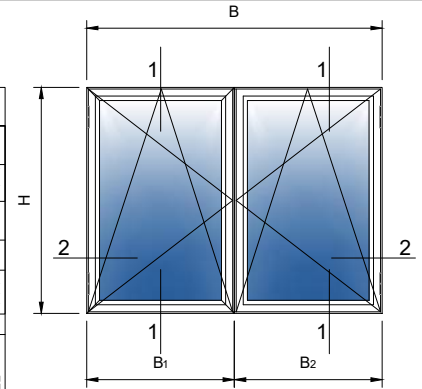


3-3

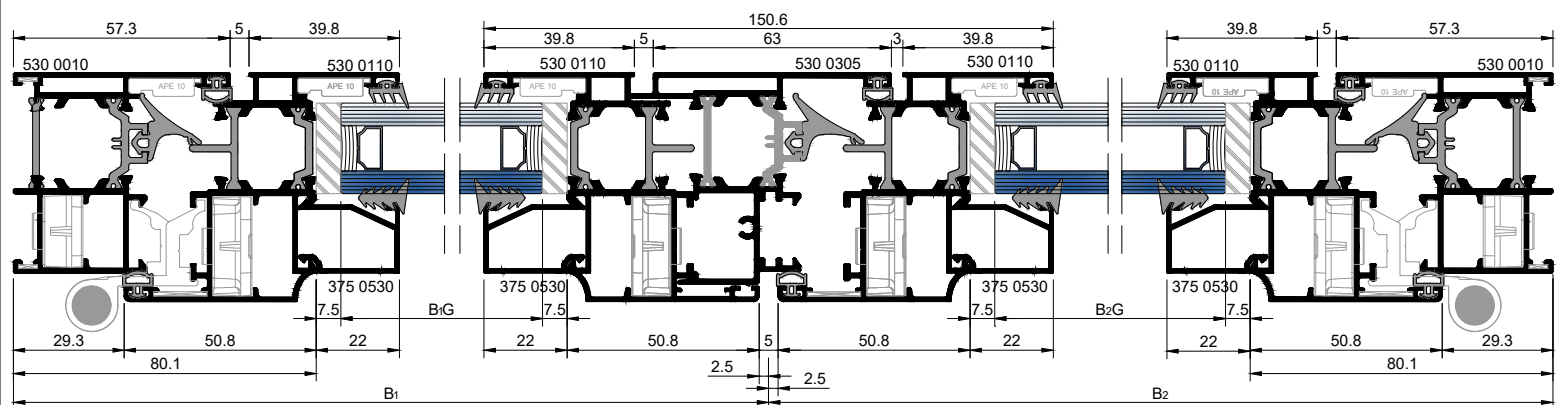


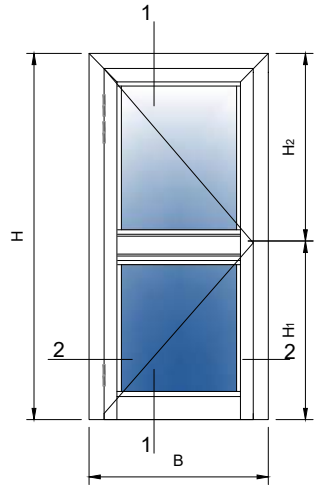


| PROFILES                       |                               |  |
|--------------------------------|-------------------------------|--|
| FRAME                          | 2pcs=B                        |  |
|                                | 2pcs=H                        |  |
| SASH                           | 2pcs=B <sub>1</sub> -31,80 mm |  |
|                                | 2pcs=B <sub>2</sub> -31,80 mm |  |
|                                | 4pcs=H-58.6mm                 |  |
| For frames: 530 0010, 530 0020 |                               |  |
| GLASSHOLDER                    | 2pcs=B <sub>1</sub> -133.4mm* |  |
|                                | 4pcs=H-204.2mm                |  |
|                                | 2pcs=B <sub>2</sub> -133.4mm* |  |
| For frames: 530 0010, 530 0020 |                               |  |
| For sashes: 530 0110, 530 0125 |                               |  |
| OVERHUNG                       | 1pcs=H-124.6mm                |  |
| For frames: 530 0010, 530 0020 |                               |  |
| GLASS                          | Glass width                   | B <sub>1</sub> G=B <sub>1</sub> -148.4mm |
|                                | Glass height                  | 2H <sub>1</sub> G=2*(H-175.2 )mm         |
|                                | Glass width                   | B <sub>2</sub> G=B <sub>2</sub> -148.4mm |



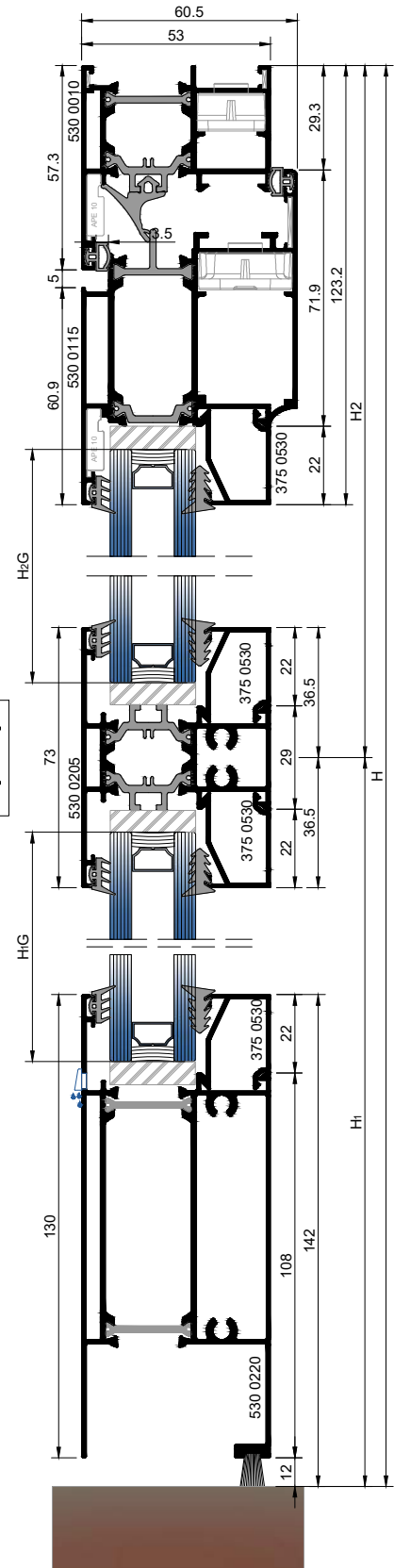
## 2-2



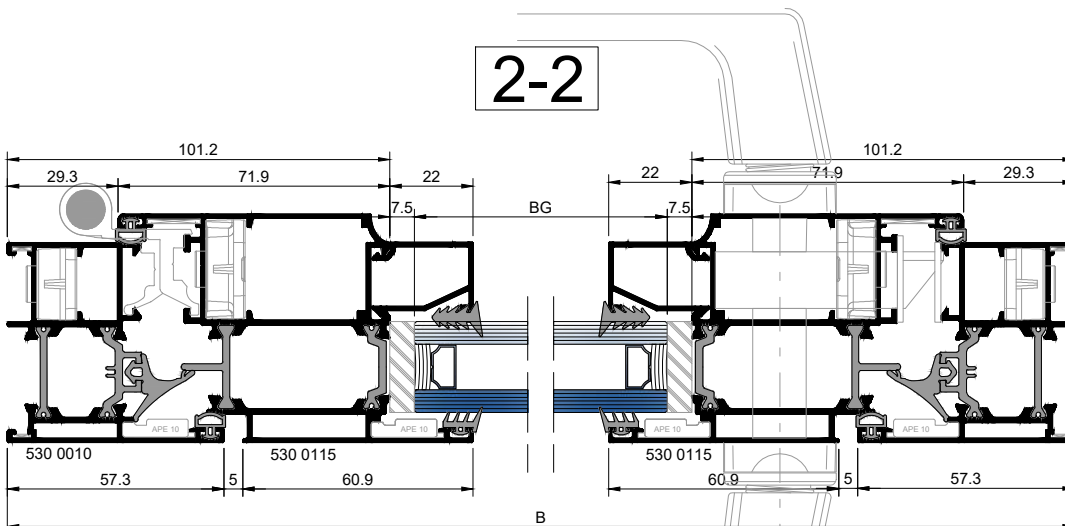


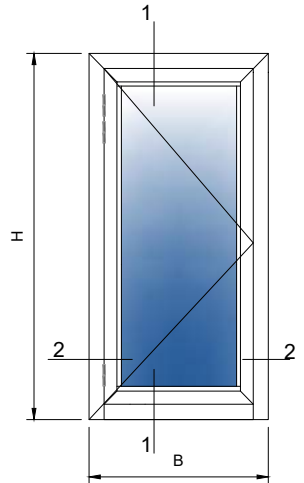
| PROFILES  |                               |  |
|---|-------------------------------|--|
| FRAME   | 1pcs=B                        |  |
|   | 2pcs=H                        |  |
| SASH  | 1pcs=B-58,6 mm                |  |
|   | 2pcs=H-41,3mm                 |  |
| <b>For frames:</b> 530 0010, 530 0020           |                               |  |
| GLASSHOLDER                                     | 4pcs=B-202,4mm                |  |
|   | 2pcs=H <sub>1</sub> -178,5mm* | <i>Only for 530 0205*</i><br>            |
|   | 2pcs=H <sub>2</sub> -159,7mm  |  |
| <b>For frames:</b> 530 0010, 530 0020           |                               |  |
| <b>For sashes:</b> 530 0115, 530 0130, 530 0135 |                               |  |
| MULLION   | 1pcs=B-202,4mm                |  |
| <b>For frames:</b> 530 0010, 530 0020           |                               |  |
| <b>For sashes:</b> 530 0115, 530 0130, 530 0135 |                               |  |
| Board for door                                  | 1pcs=B-202,4mm                |  |
| <b>For frames:</b> 530 0010, 530 0020           |                               |  |
| <b>For sashes:</b> 530 0115, 530 0130, 530 0135 |                               |  |
| GLASS   | Glass width                   | BG=B-217,4mm                             |
|   | Glass height                  | H <sub>1</sub> G=H <sub>1</sub> -149,5mm |
|   | Glass height                  | H <sub>2</sub> G=H <sub>2</sub> -130,7mm |
| <b>For frames:</b> 530 0010, 530 0020           |                               |  |
| <b>For sashes:</b> 530 0115, 530 0130, 530 0135 |                               |  |

1-1

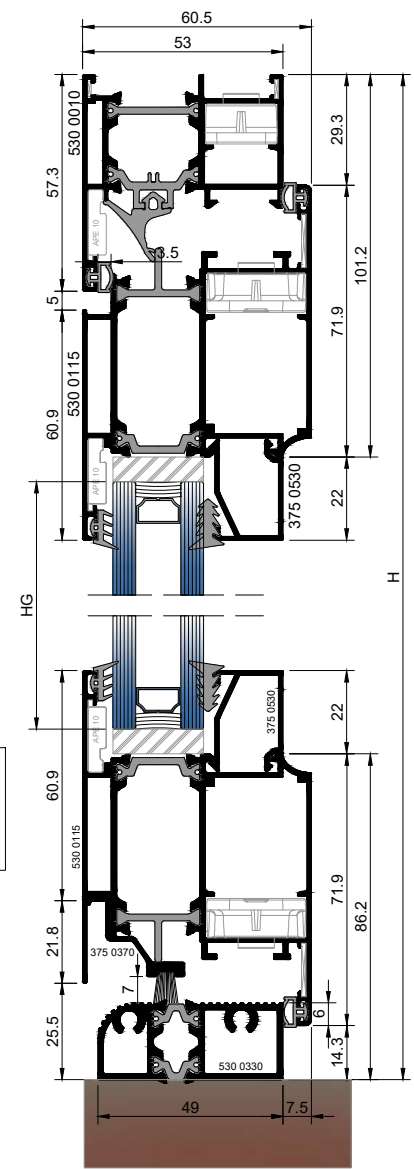


2-2



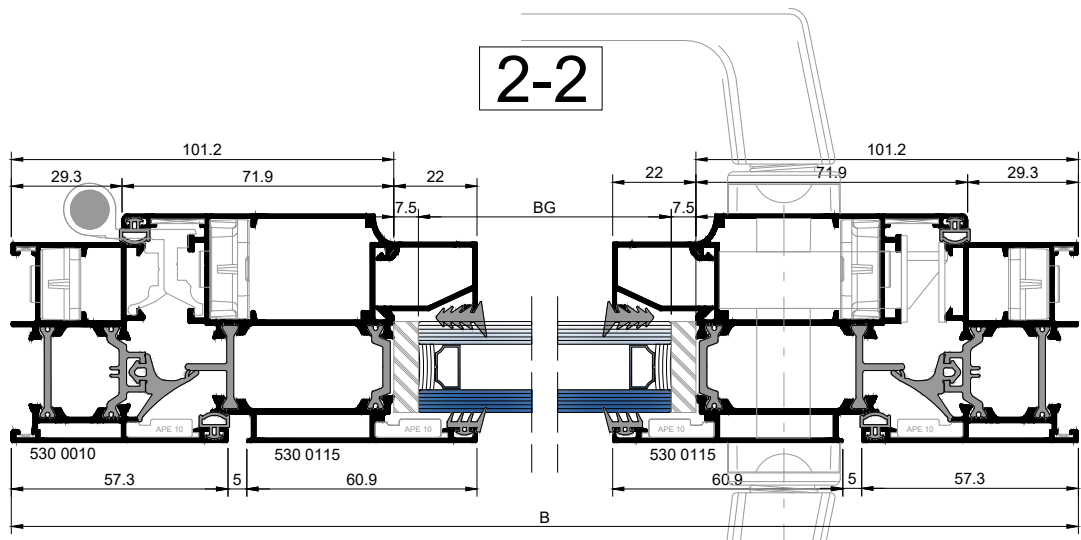


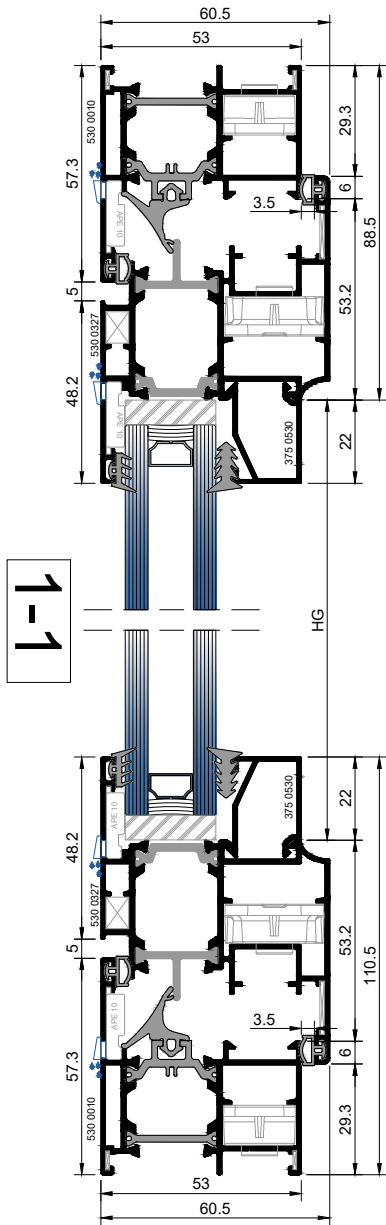
| PROFILES  |                |              |
|---|----------------|--------------|
| FRAME   | 1pcs=B         |              |
|   | 2pcs=H         |              |
| SASH  | 1pcs=B-58,6 mm |              |
|   | 2pcs=H-43,6mm  |              |
| <b>For frames:</b> 530 0010, 530 0020           |                |              |
| GLASSHOLDER                                     | 4pcs=B-202,4mm |              |
|   | 2pcs=H-231.4mm |              |
| <b>For frames:</b> 530 0010, 530 0020           |                |              |
| <b>For sashes:</b> 530 0115, 530 0130, 530 0135 |                |              |
| Door sill                                       | 1pcs=B-70mm    |              |
| Addition for door                               | 1pcs=B-124.6mm |              |
| <b>For frames:</b> 530 0010, 530 0020           |                |              |
| <b>For sashes:</b> 530 0115, 530 0130, 530 0135 |                |              |
| GLASS   | Glass width    | BG=B-217,4mm |
|   | Glass height   | HG=H-202,4mm |
| <b>For frames:</b> 530 0010, 530 0020           |                |              |
| <b>For sashes:</b> 530 0115, 530 0130, 530 0135 |                |              |



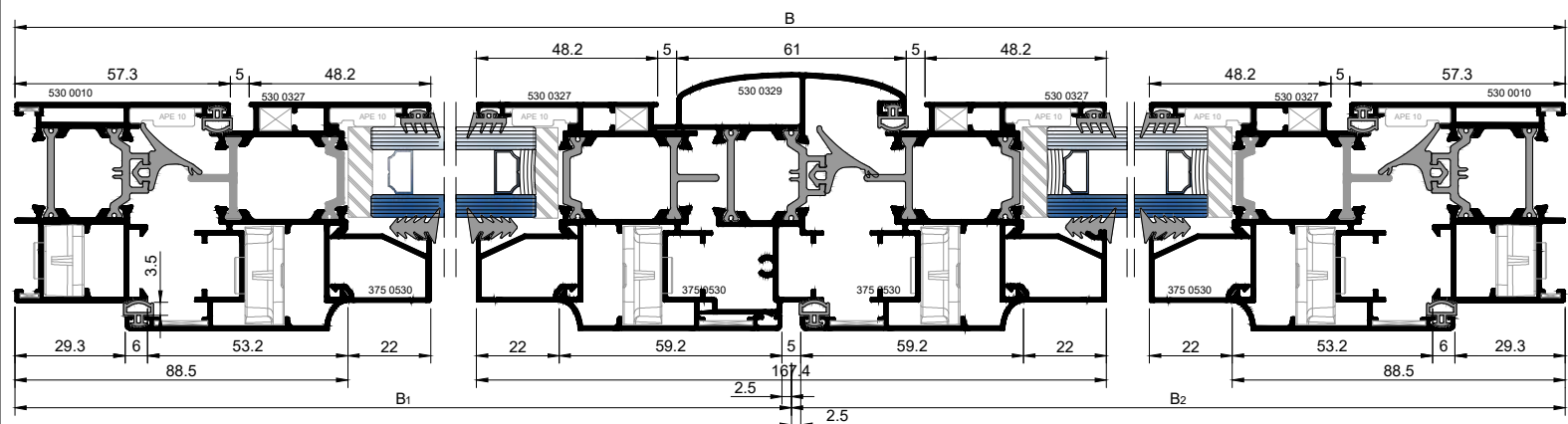
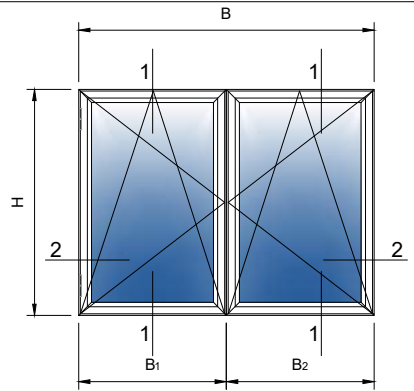
1-1

2-2

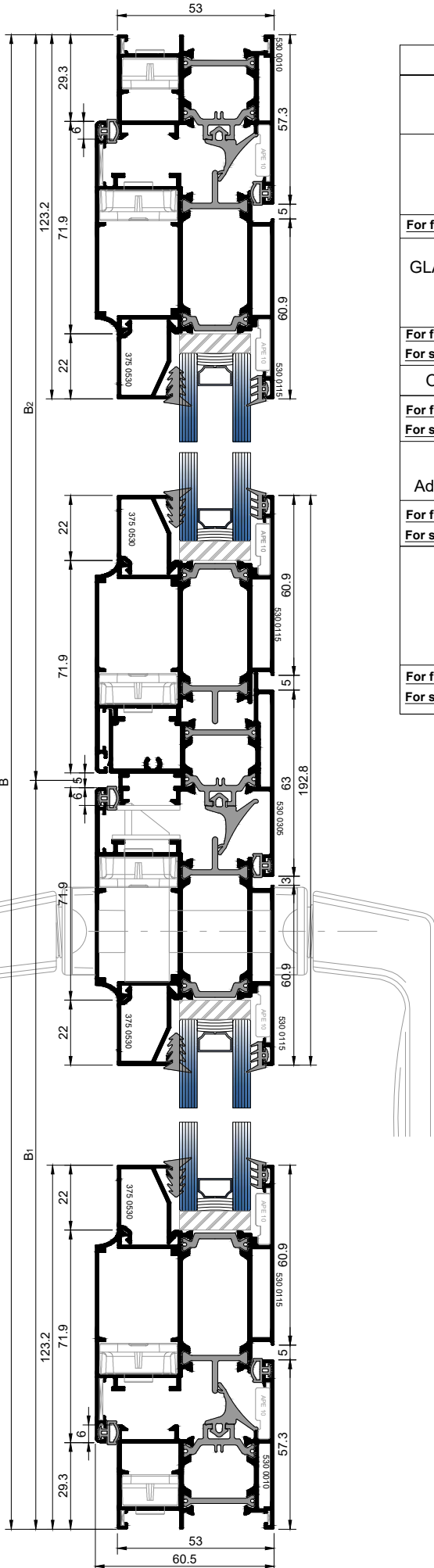




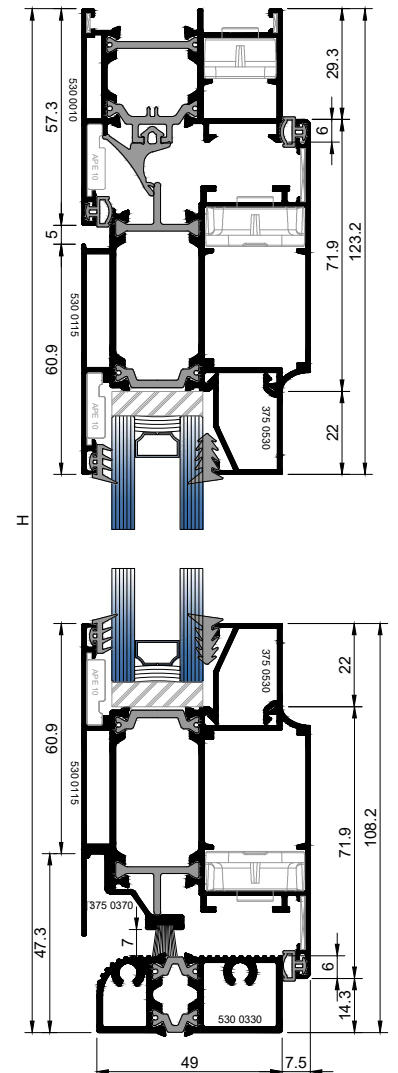
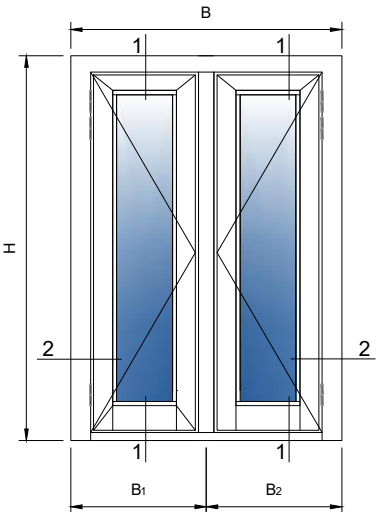
| PROFILES                              |                               |  |
|---------------------------------------|-------------------------------|--|
| FRAME                                 | 2pcs=B                        |  |
|                                       | 2pcs=H                        |  |
| SASH                                  | 2pcs=B <sub>r</sub> -31,80 mm |  |
|                                       | 2pcs=B <sub>2</sub> -31,80 mm |  |
|                                       | 4pcs=H-58.6mm                 |  |
| <b>For frames: 530 0010, 530 0020</b> |                               |  |
| GLASSHOLDER                           | 2pcs=B <sub>r</sub> -150.2mm  |  |
|                                       | 4pcs=H-221mm                  |  |
|                                       | 2pcs=B <sub>2</sub> -150.2mm* |  |
| <b>For frames: 530 0010, 530 0020</b> |                               |  |
| <b>For sashes: 530 0326, 530 0327</b> |                               |  |
| OVERHUNG                              | 1pcs=H-124.6mm                |  |
| <b>For frames: 530 0010, 530 0020</b> |                               |  |
| GLASS                                 | Glass width                   | B <sub>1</sub> G=B <sub>r</sub> -165.2mm |
|                                       | Glass height                  | 2H <sub>1</sub> G=2*(H-192 )mm           |
|                                       | Glass width                   | B <sub>2</sub> G=B <sub>2</sub> -165.2mm |

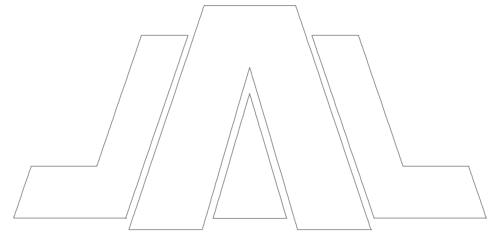






| PROFILES   |                              |  |
|--|------------------------------|--|
| FRAME  | 1pcs=B                       |  |
|  | 2pcs=H                       |  |
| SASH   | 1pcs=B <sub>1</sub> -31,8 mm |  |
|  | 1pcs=B <sub>2</sub> -31,8 mm |  |
|  | 4pcs=H-43,6mm                |  |
| <b>For frames:</b> 530 0010, 530 0020  |                              |  |
| GLASSHOLDER  | 2pcs=B <sub>1</sub> -175,6mm |  |
|  | 2pcs=B <sub>2</sub> -175,6mm |  |
|  | 4pcs=H-231,4mm               |  |
| <b>For frames:</b> 530 0010, 530 0020<br><b>For sashes:</b> 530 0115, 530 0130, 530 0135 |                              |  |
| OVERHUNG   | 1pcs=H-109,6mm               |  |
| <b>For frames:</b> 530 0010, 530 0020<br><b>For sashes:</b> 530 0115, 530 0130, 530 0135 |                              |  |
| Door sill  | 1pcs=B-70mm                  |  |
| Addition for door  | 1pcs=B-124,6mm               |  |
| <b>For frames:</b> 530 0010, 530 0020<br><b>For sashes:</b> 530 0115, 530 0130, 530 0135 |                              |  |
| GLASS  | Glass width                  | B <sub>1</sub> G=B <sub>1</sub> -190,6mm |
|  | Glass width                  | B <sub>2</sub> G=B <sub>2</sub> -190,6mm |
|  | Glass height                 | HG=H-202,4mm                             |
| <b>For frames:</b> 530 0010, 530 0020<br><b>For sashes:</b> 530 0115, 530 0130, 530 0135 |                              |  |

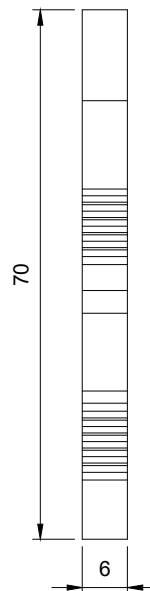
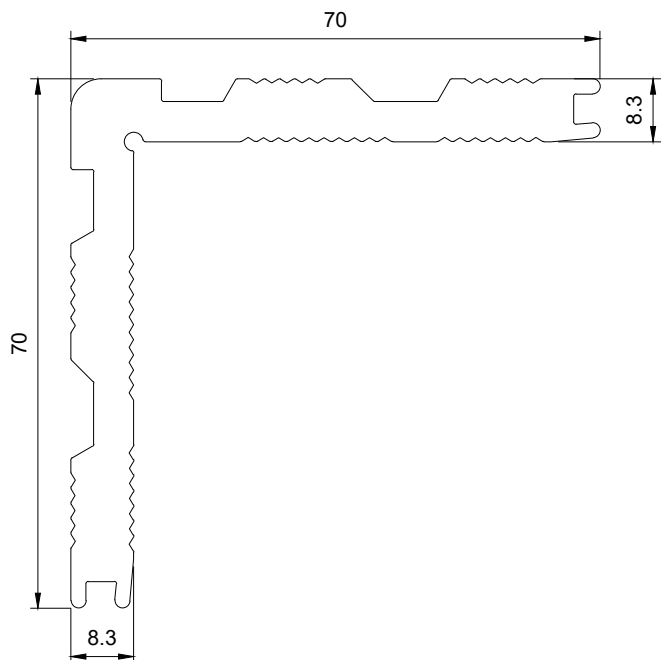




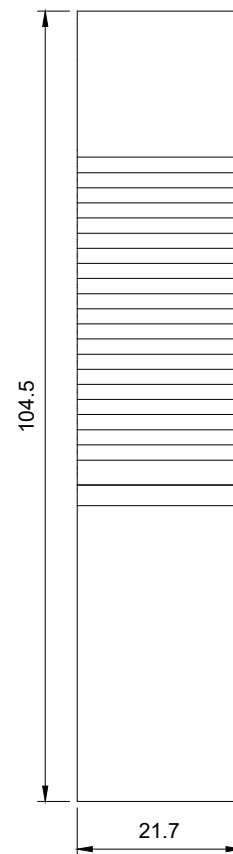
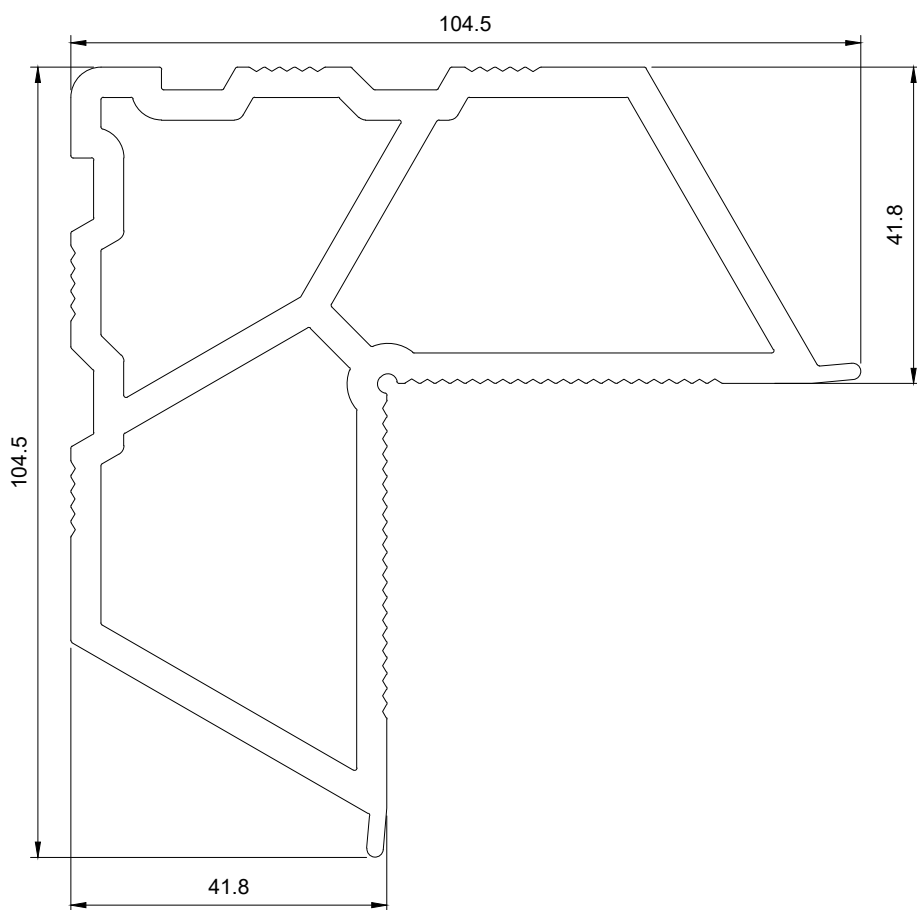
# 3D DETAILS

*press corners for crimping machine*

**APE 0550**  
Dimensions:  
70x8.3x6

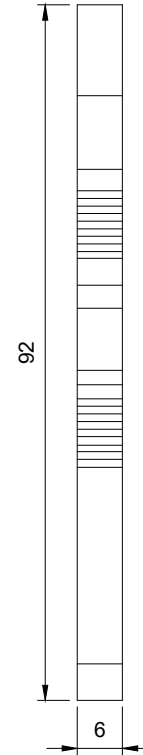
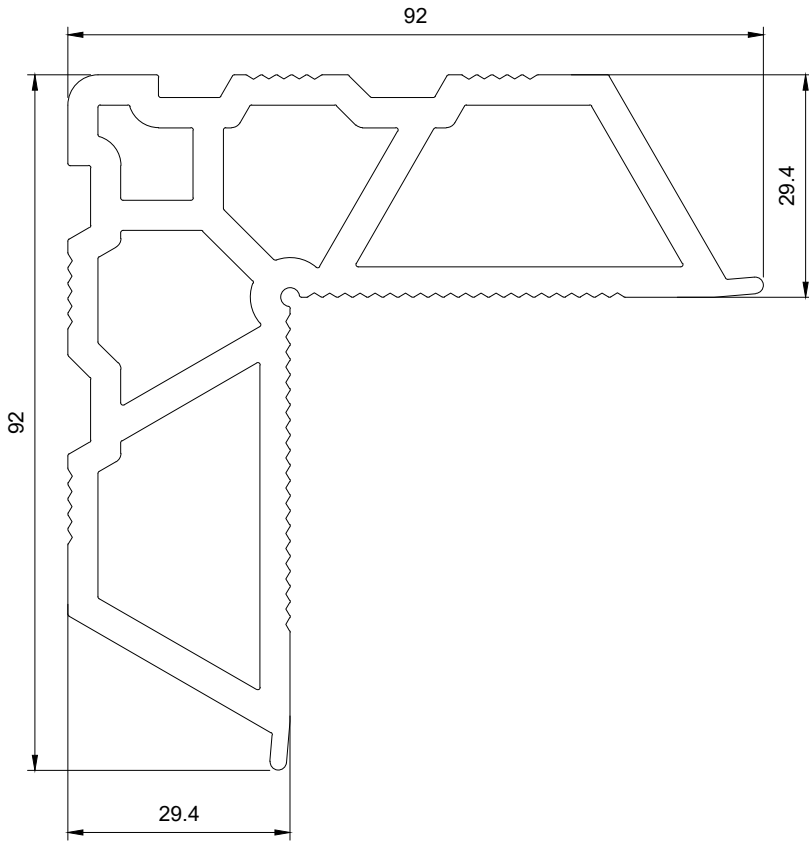


**APE 2121**  
Dimensions:  
104.5x41.8x21.7

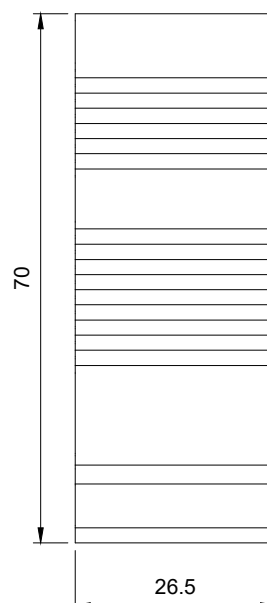
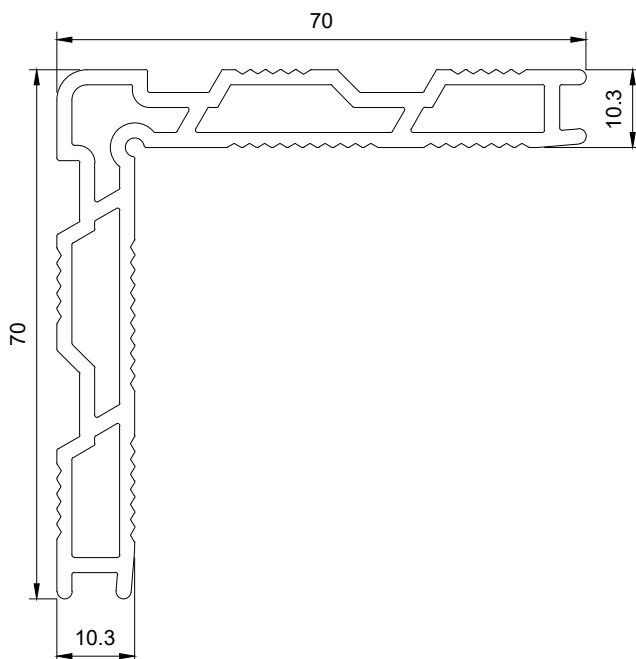


*press corners for crimping machine*

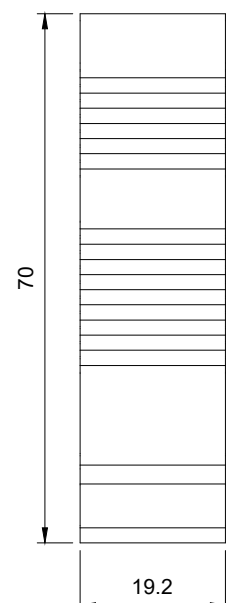
**APE 0551**  
Dimensions:  
92x29.4x6



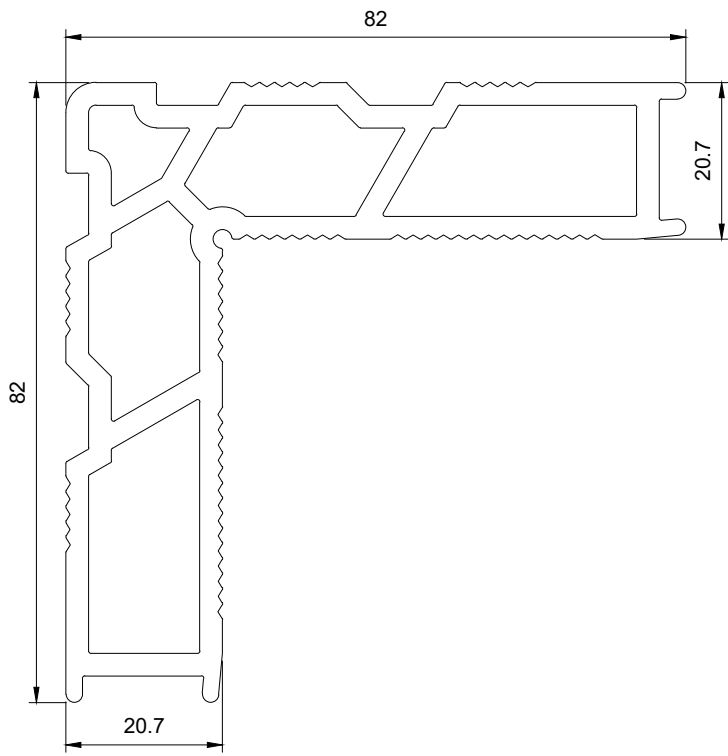
**APE 2600**  
Dimensions:  
70x10.3x26.5



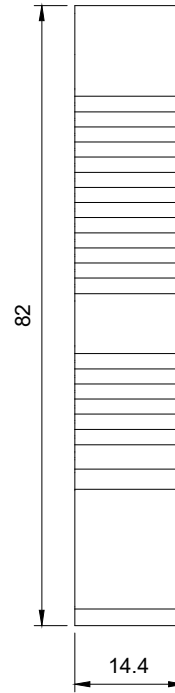
**APE 1870**  
Dimensions:  
70x10.3x19.2



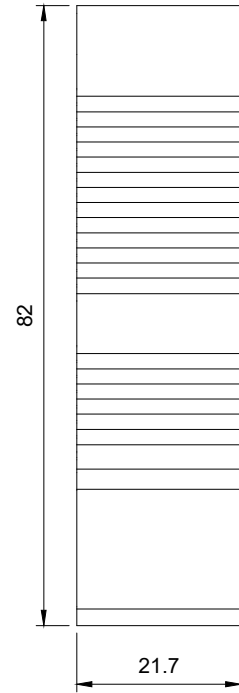
*press corners for crimping machine*



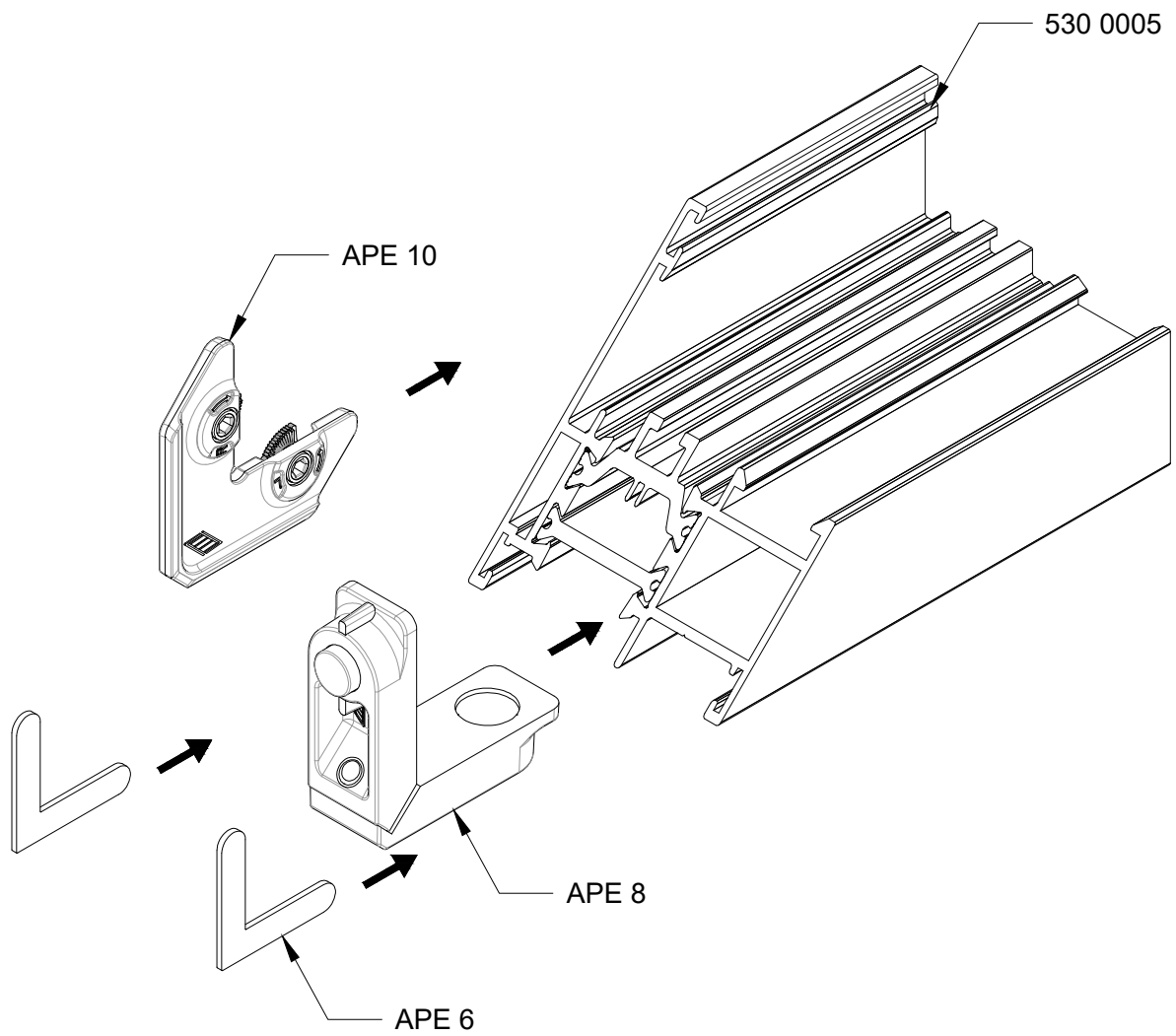
**APE 1390**  
**Dimensions:**  
82x20.7x14.4



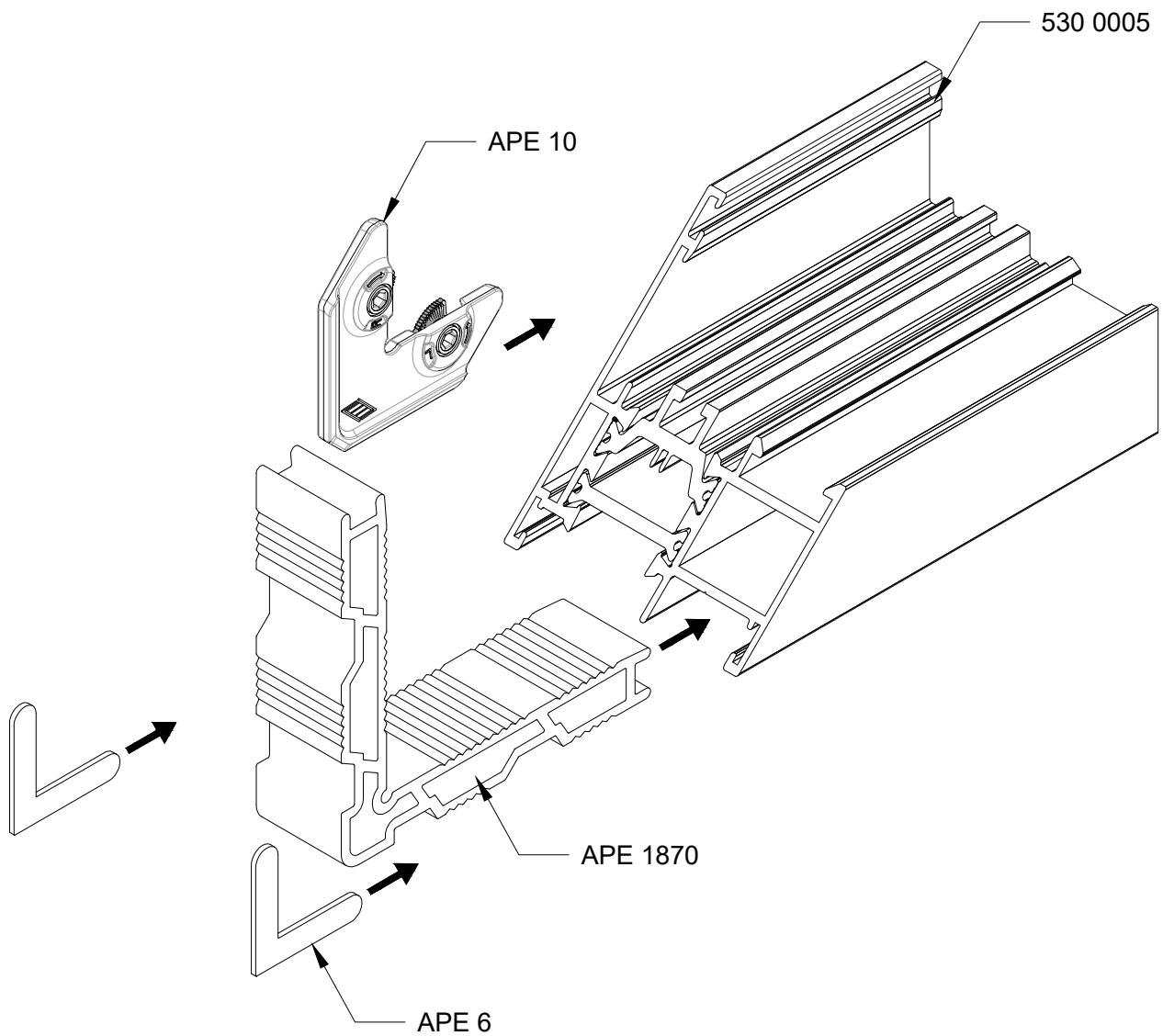
**APE 2120**  
**Dimensions:**  
82x20.7x21.7



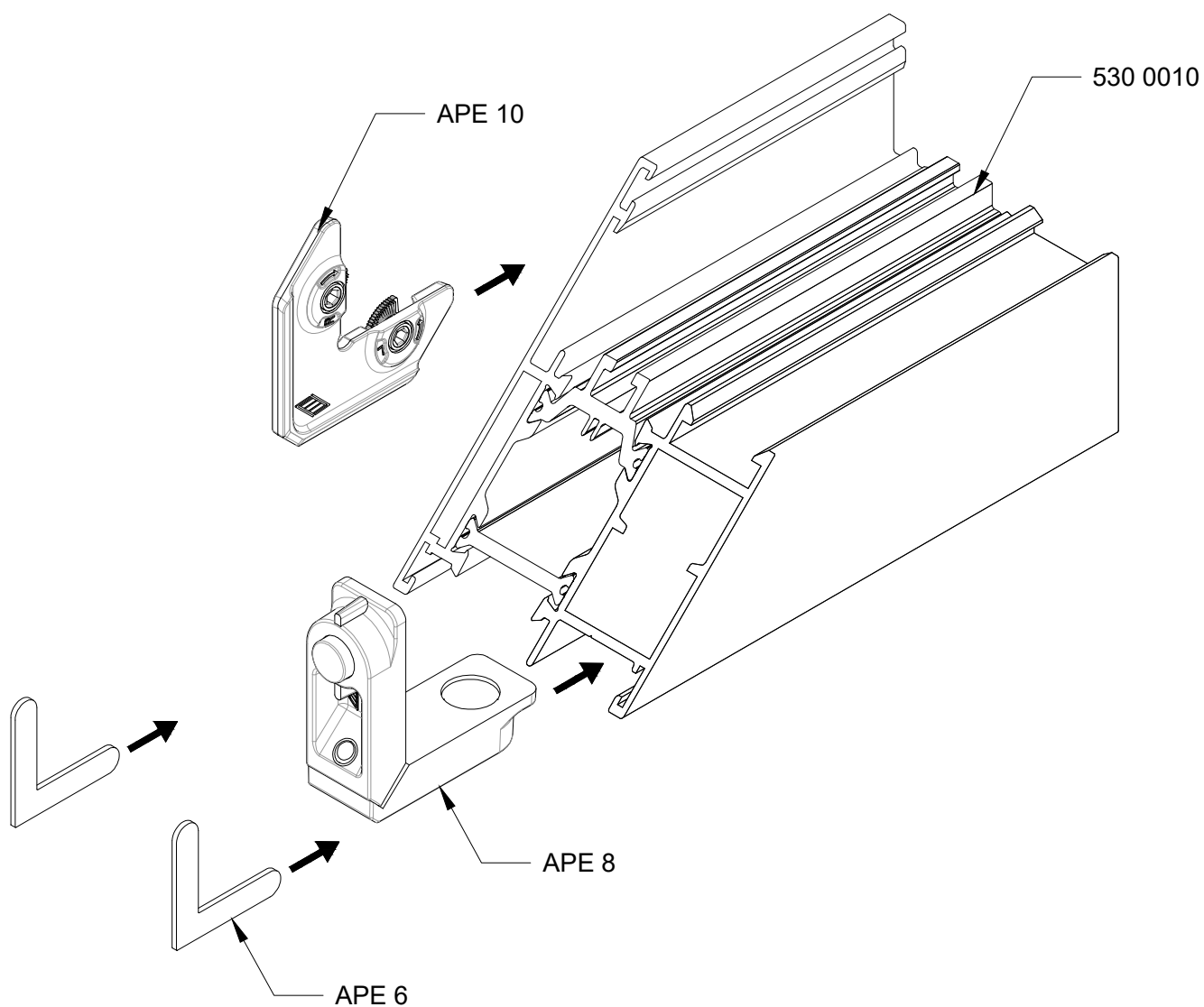
**corner connection 530 0005 frame  
with mechanical corner**



*corner connection 530 0005 frame  
with press corner*

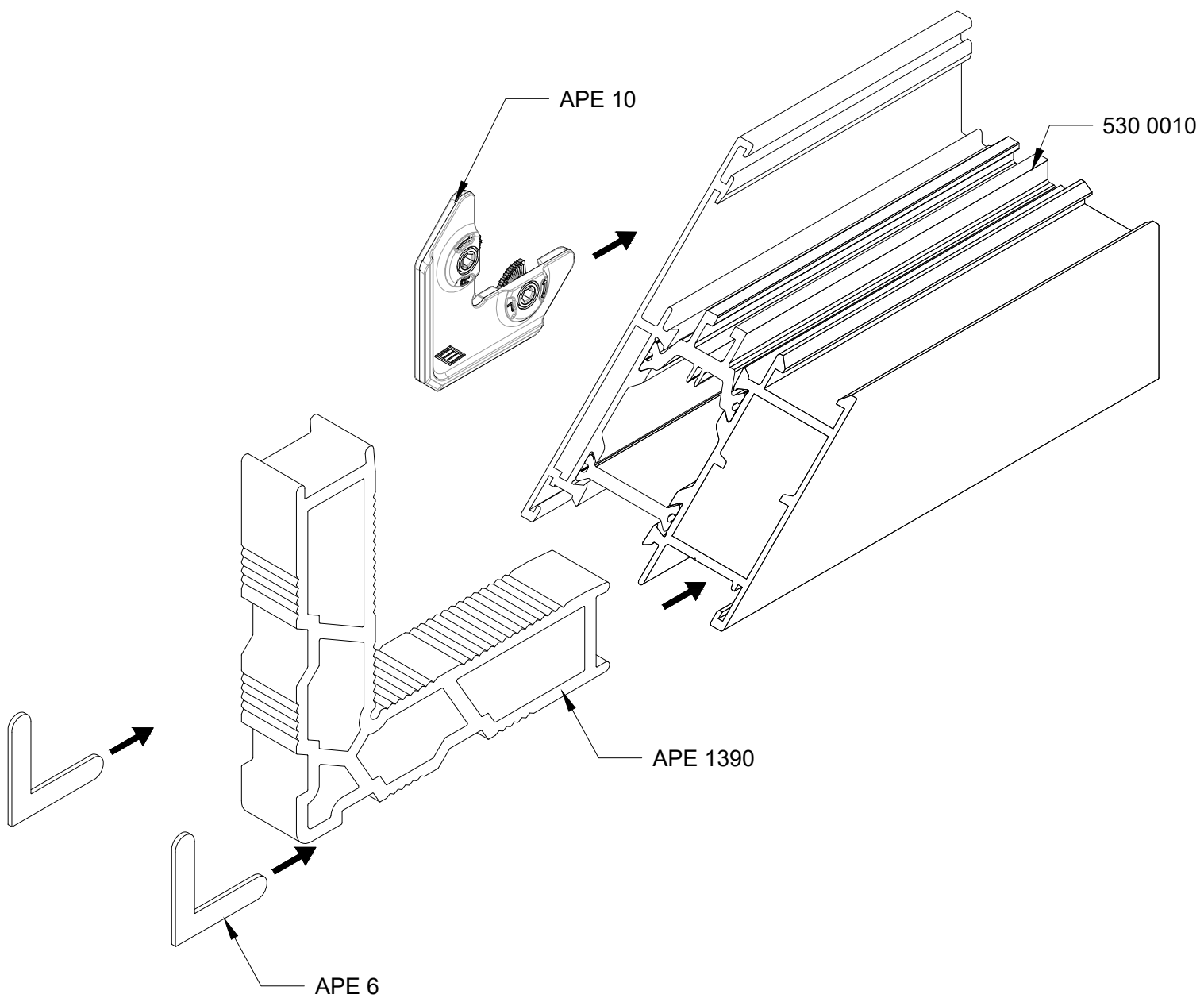


**corner connection 530 0010 frame**  
**with mechanical corner**

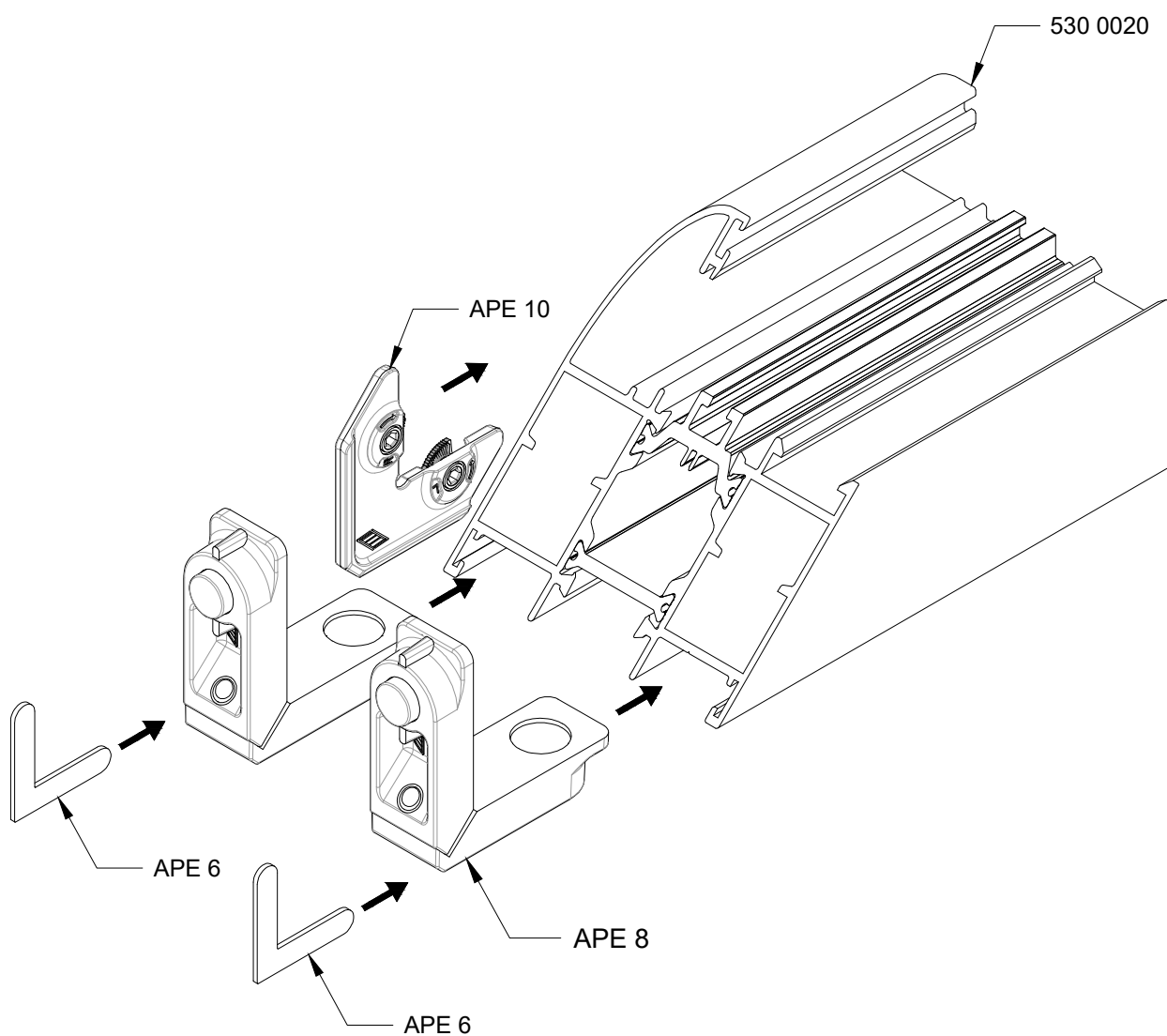




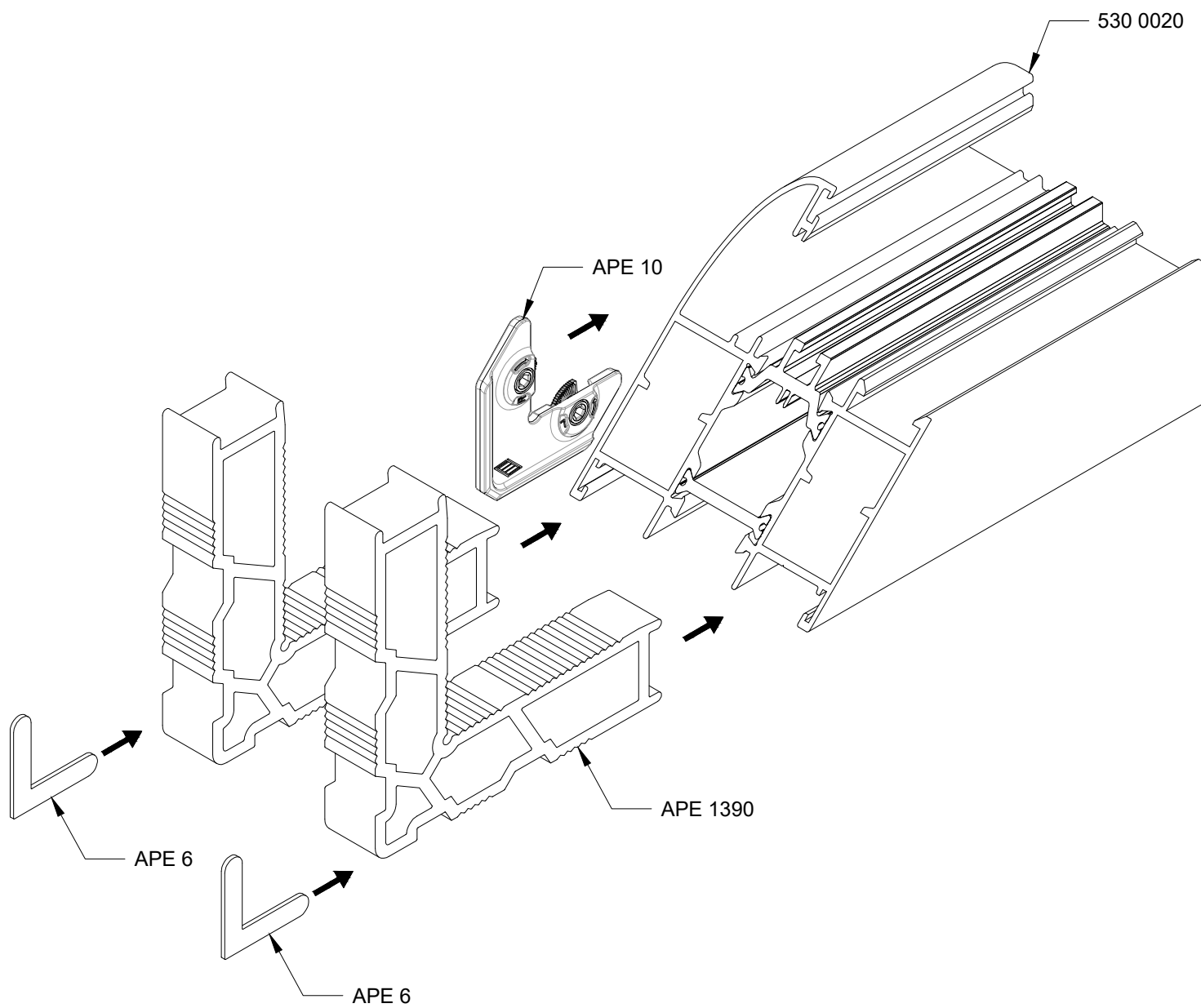
*corner connection 530 0010 frame  
with press corner*



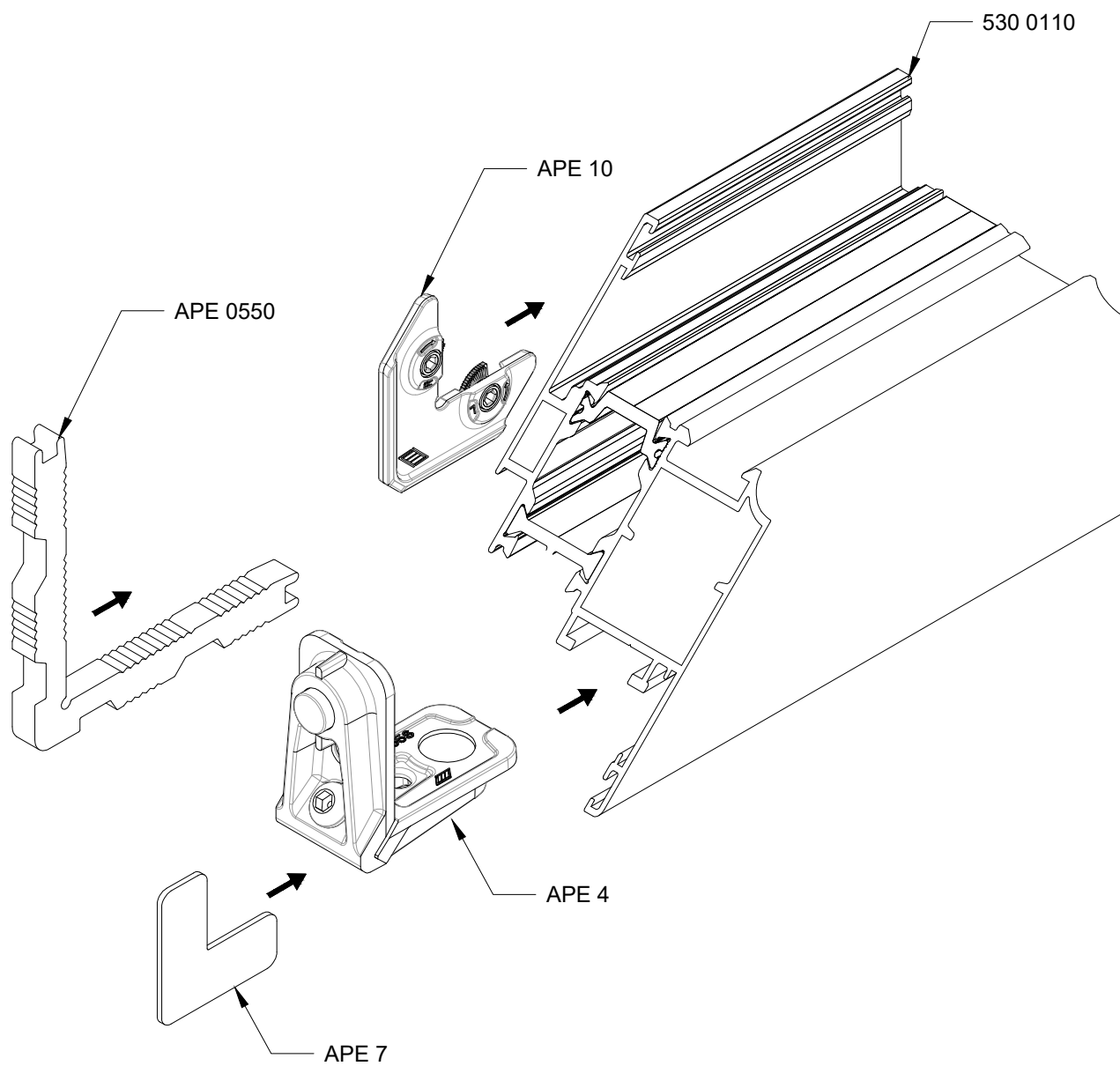
**corner connection 530 0020 frame**  
**with mechanical corner**



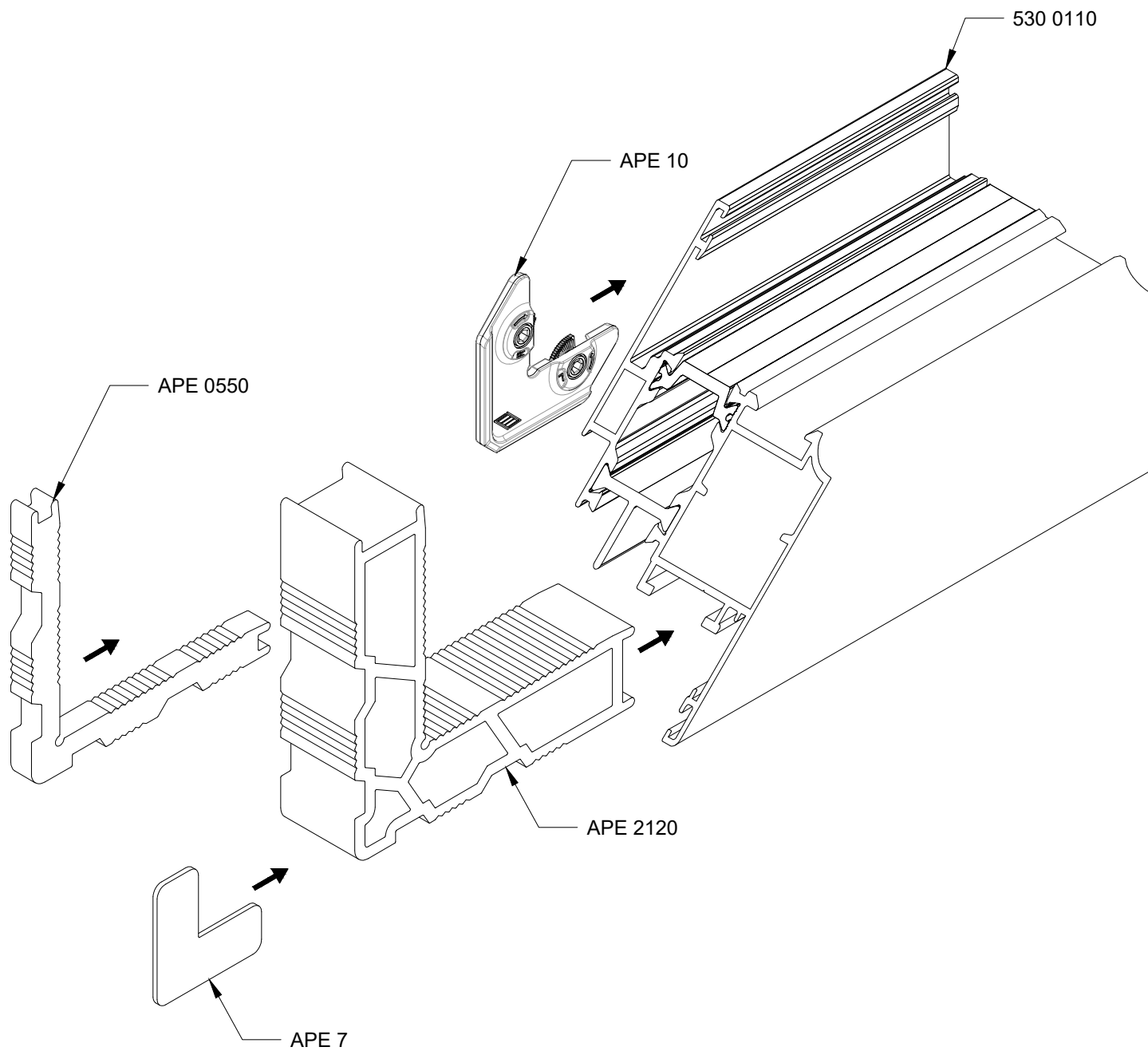
*corner connection 530 0020 frame  
with press corner*



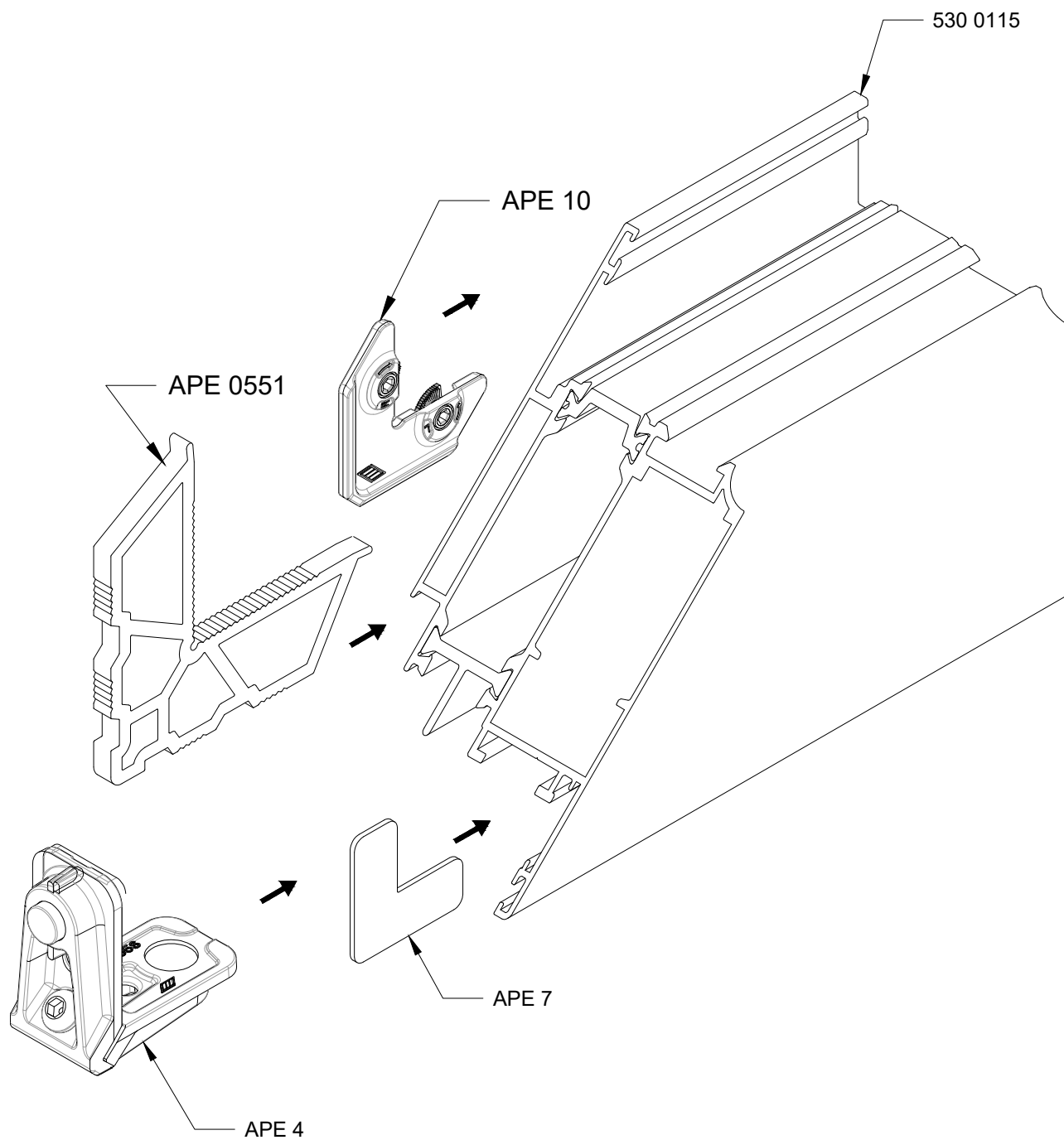
**corner connection 530 0110 sash**  
**with mechanical corner**



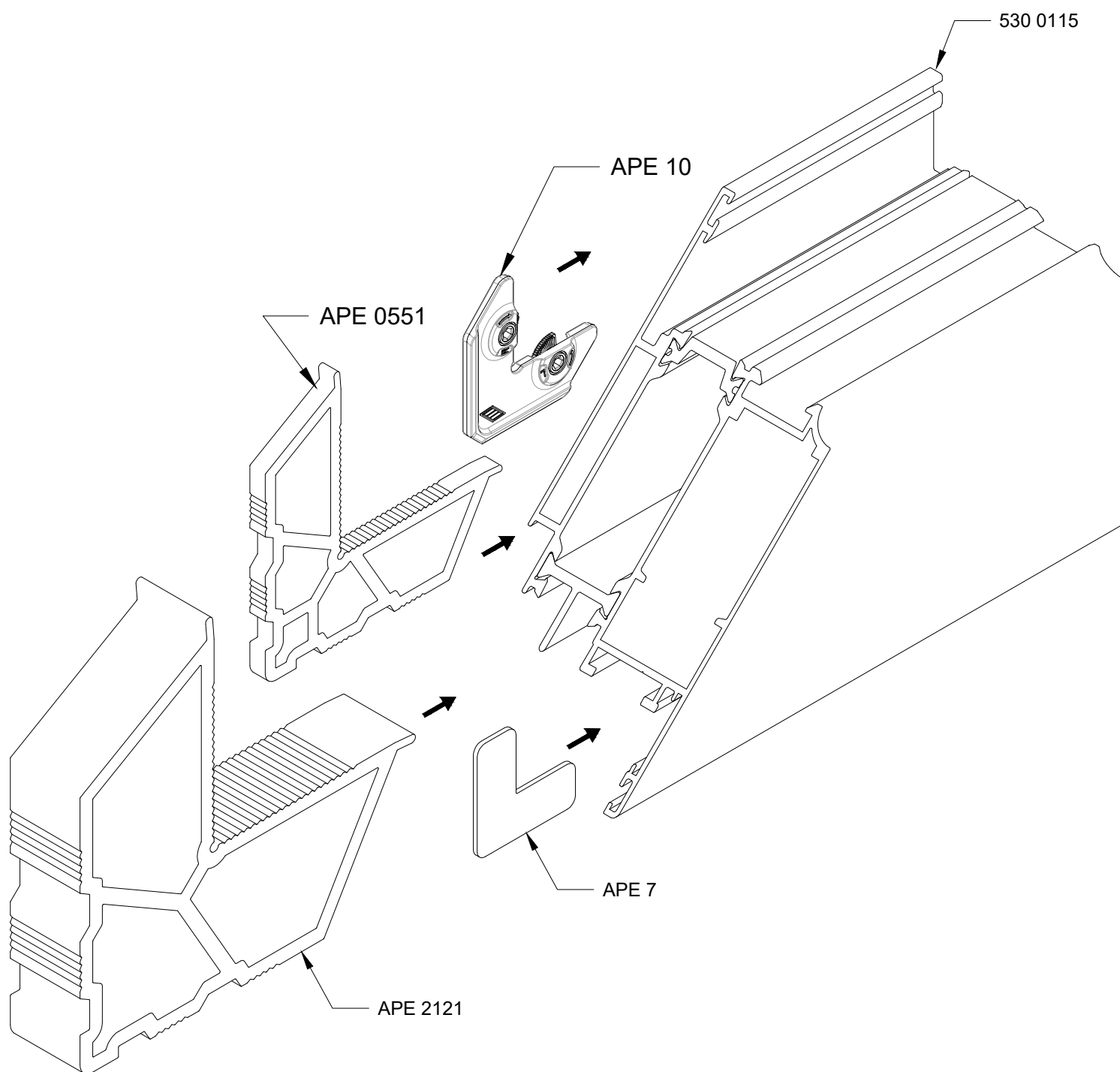
**corner connection 530 0110 sash  
with press corner**



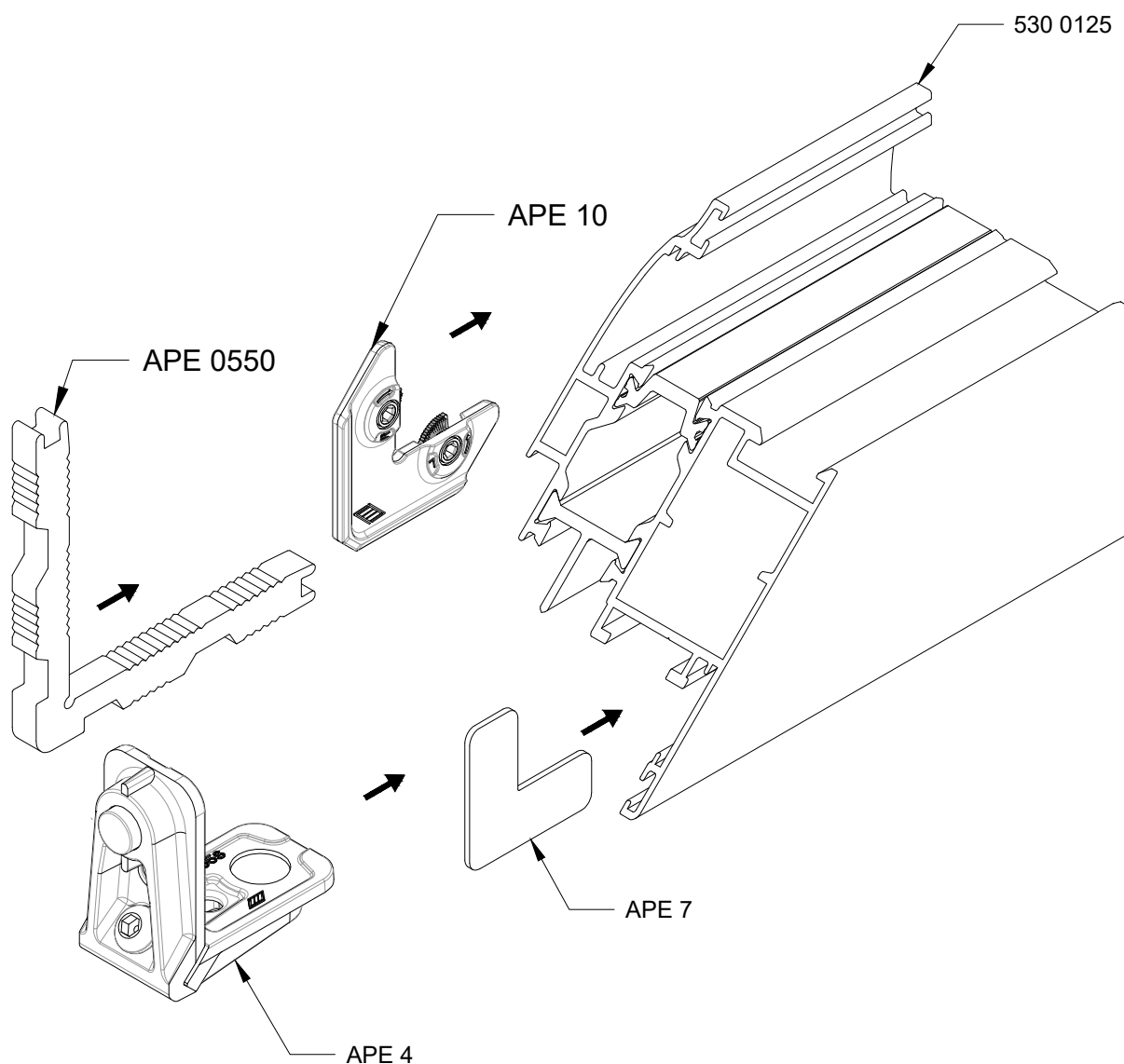
**corner connection 530 0115 sash**  
**with mechanical corner**



**corner connection 530 0115 sash  
with press corner**

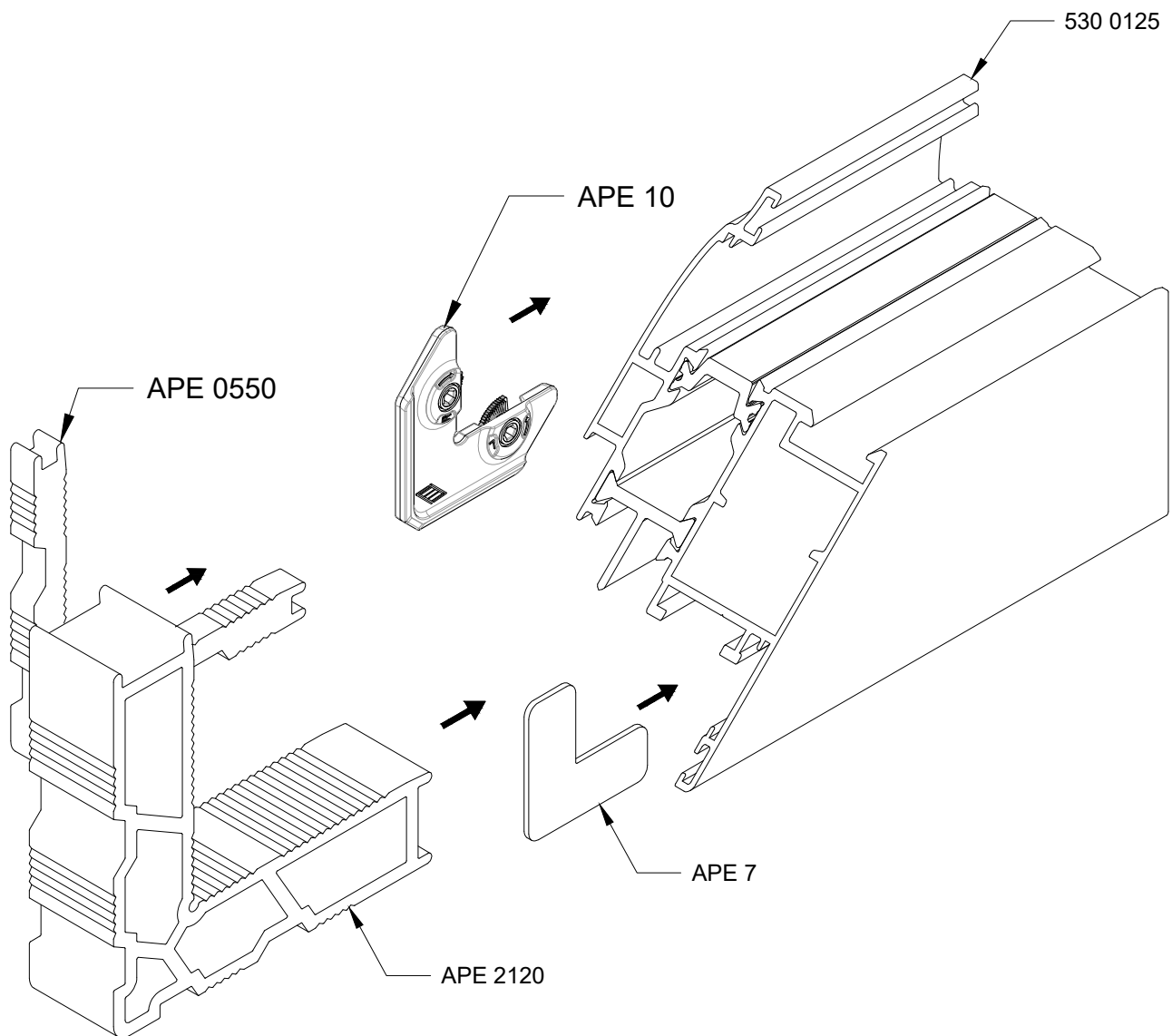


**corner connection 530 0125 sash  
with mechanical corner**

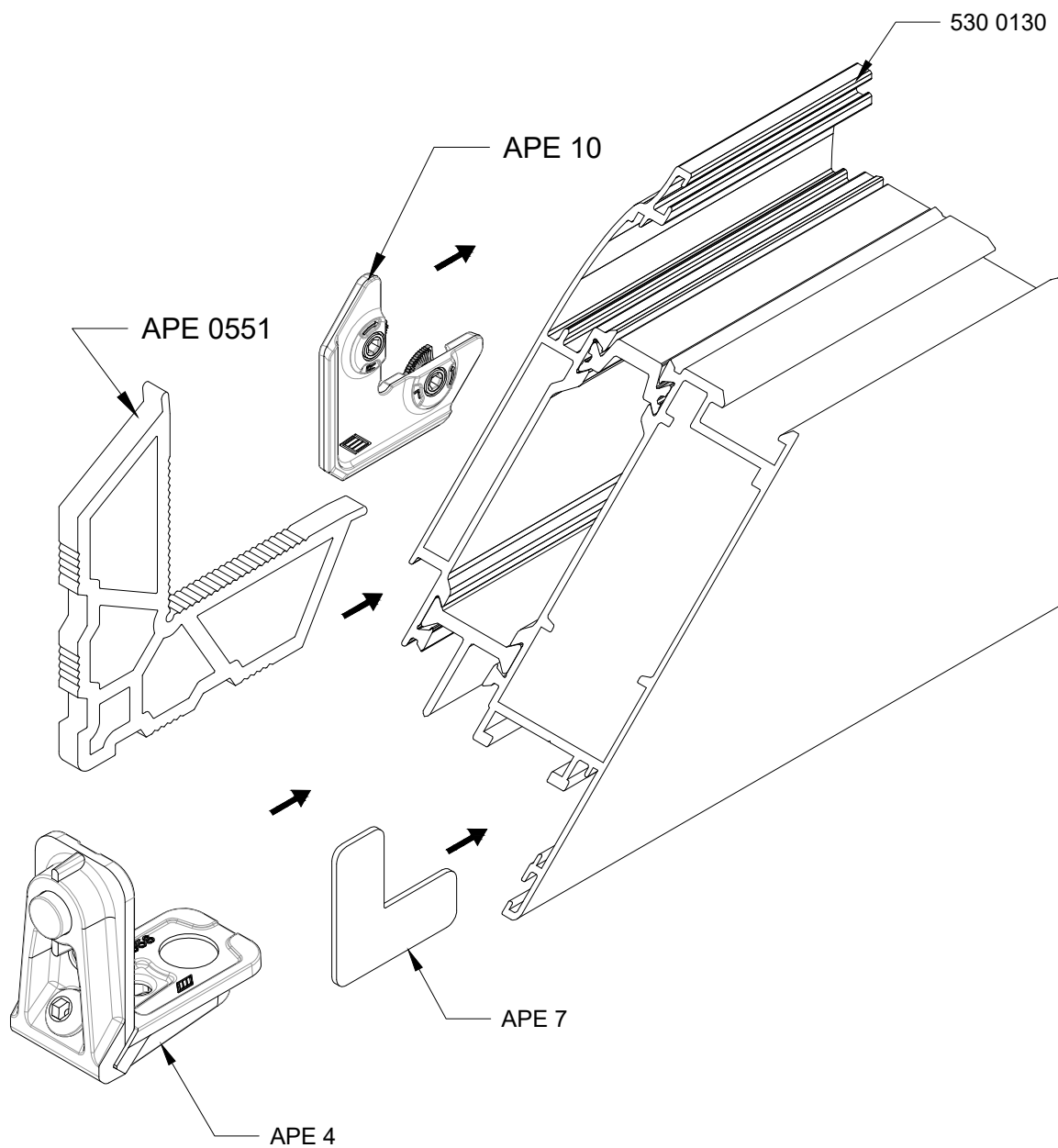




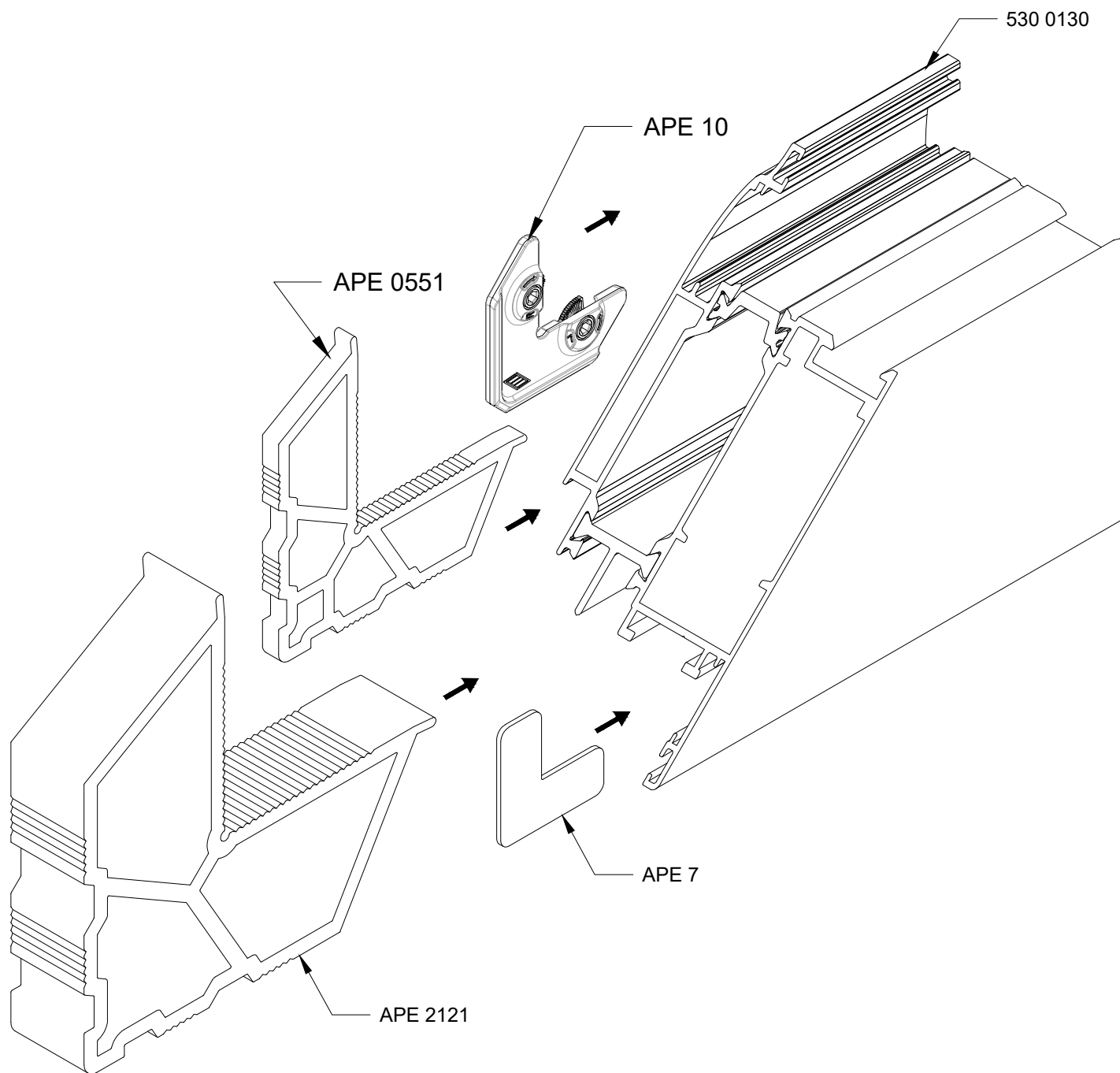
**corner connection 530 0125 sash  
with press corner**



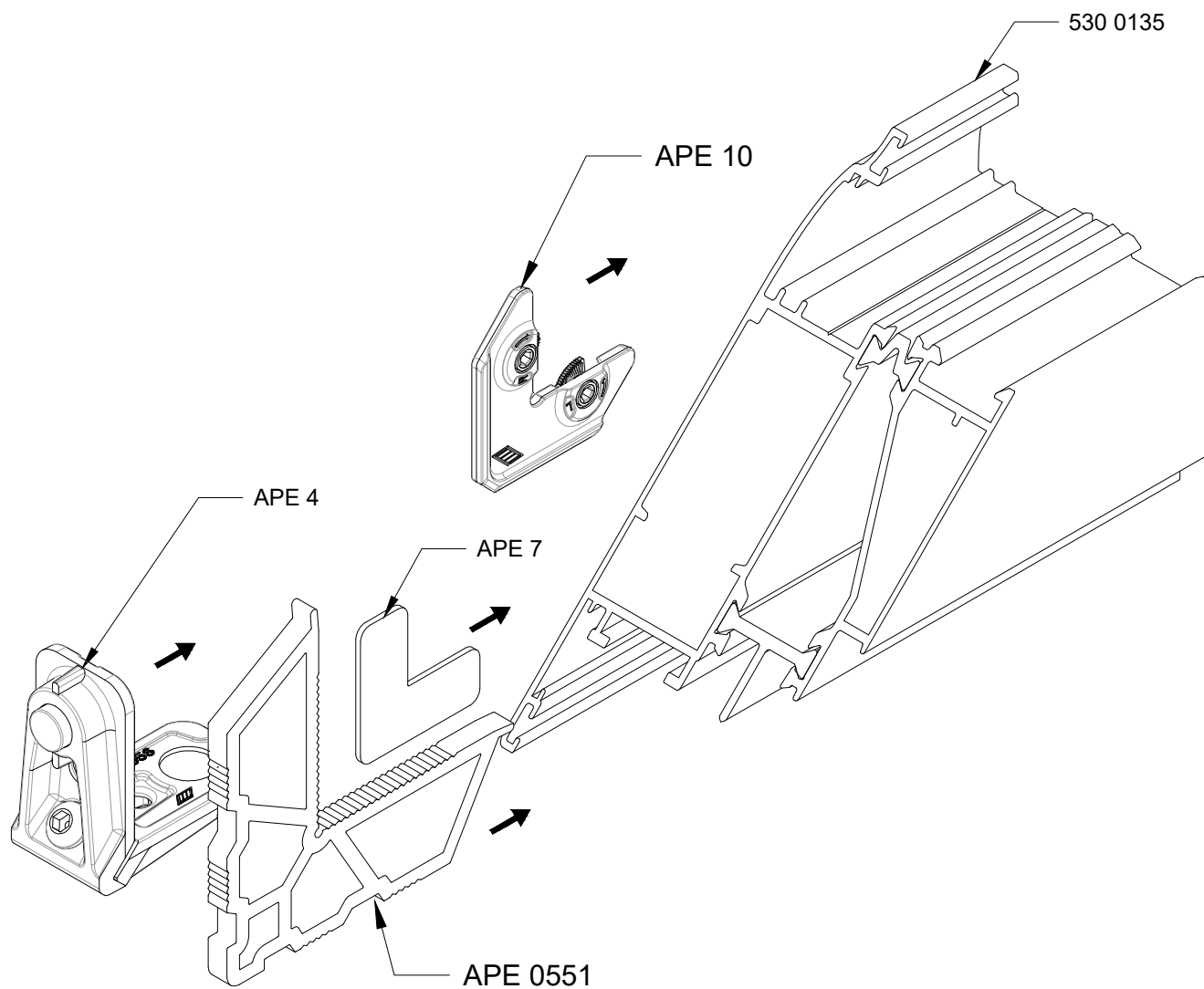
**corner connection 530 0130 sash**  
**with mechanical corner**



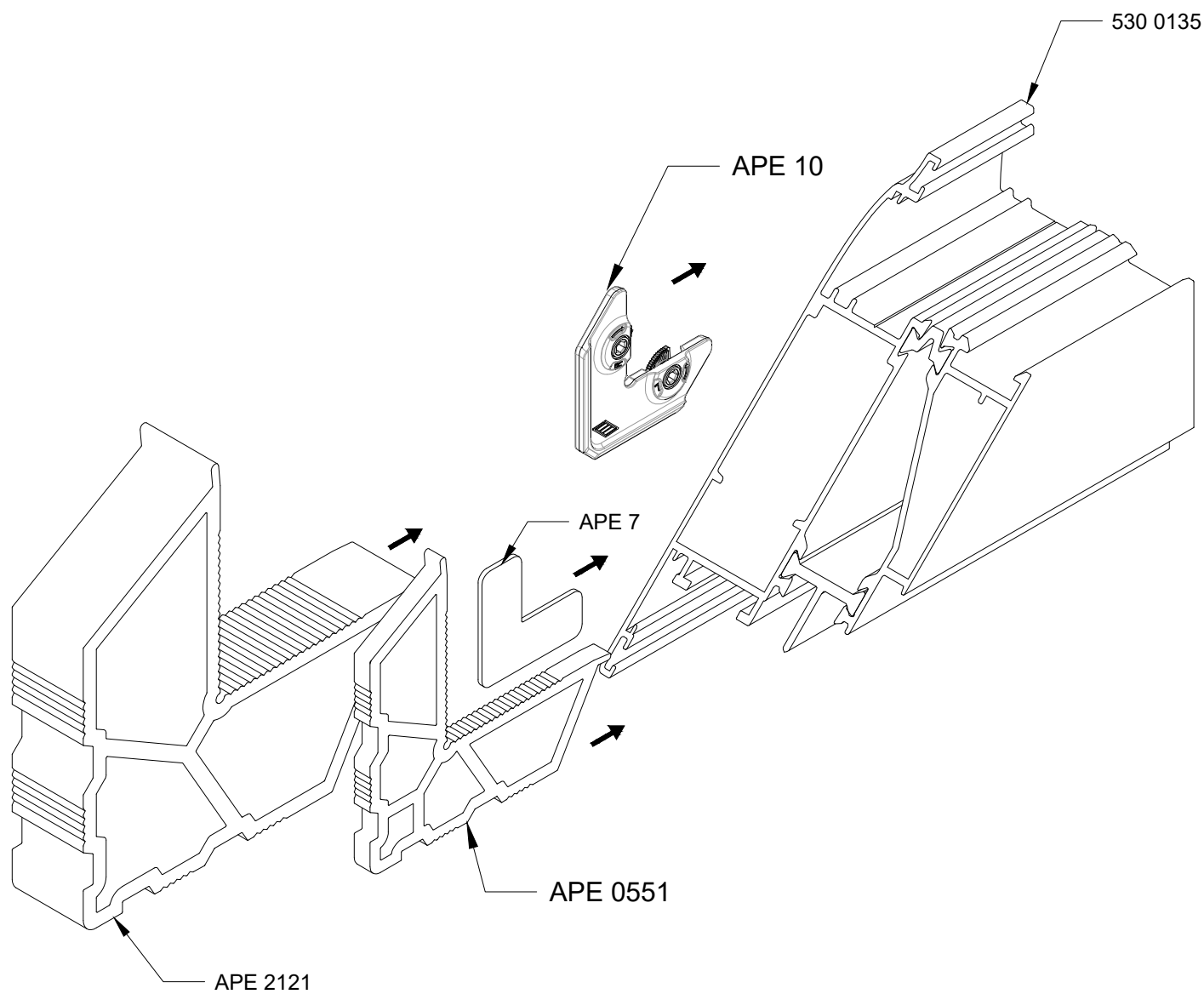
**corner connection 530 0130 sash**  
**with press corner**



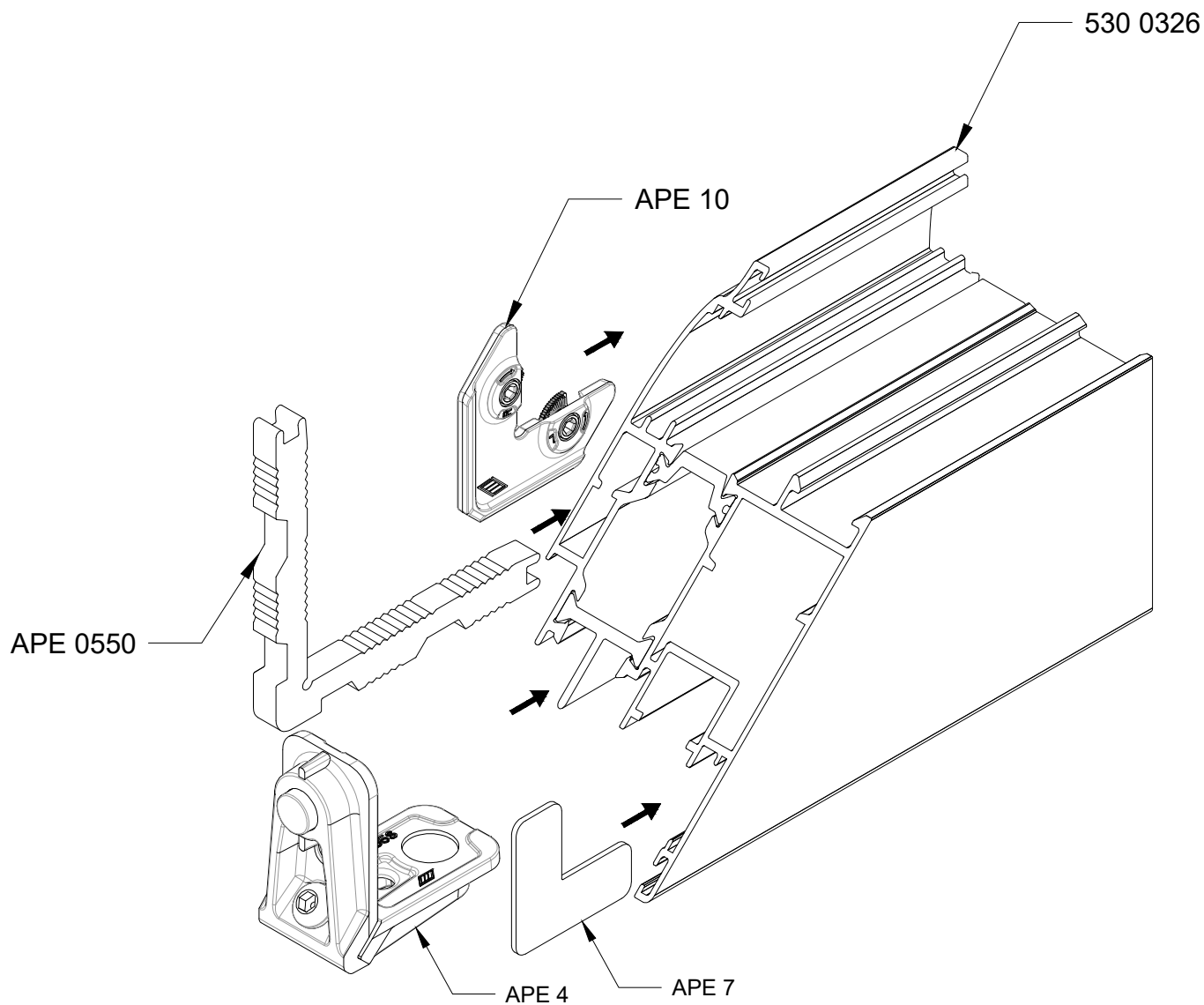
**corner connection 530 0135 sash**  
**with mechanical corner**



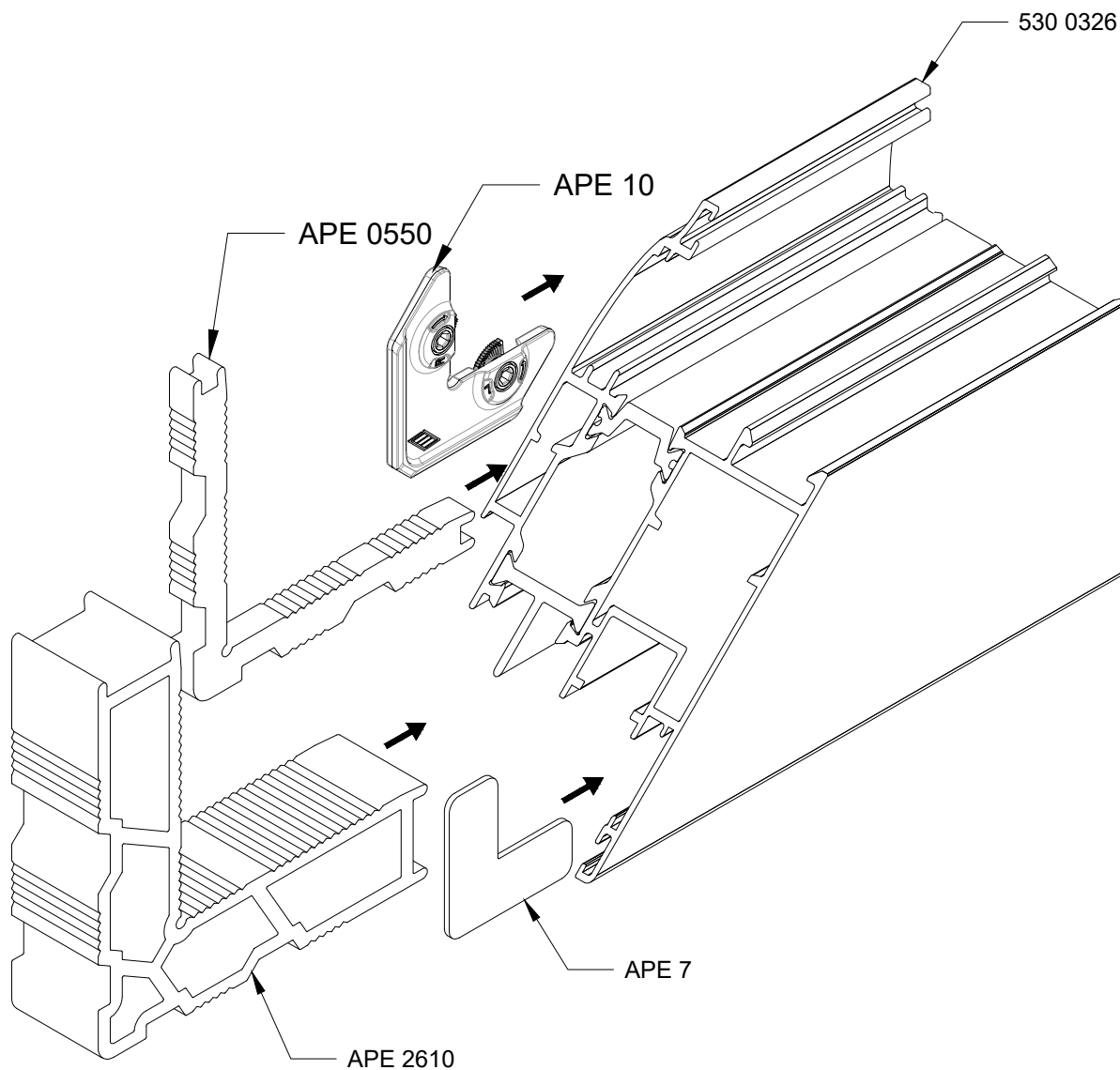
*corner connection 530 0135 sash  
with press corner*



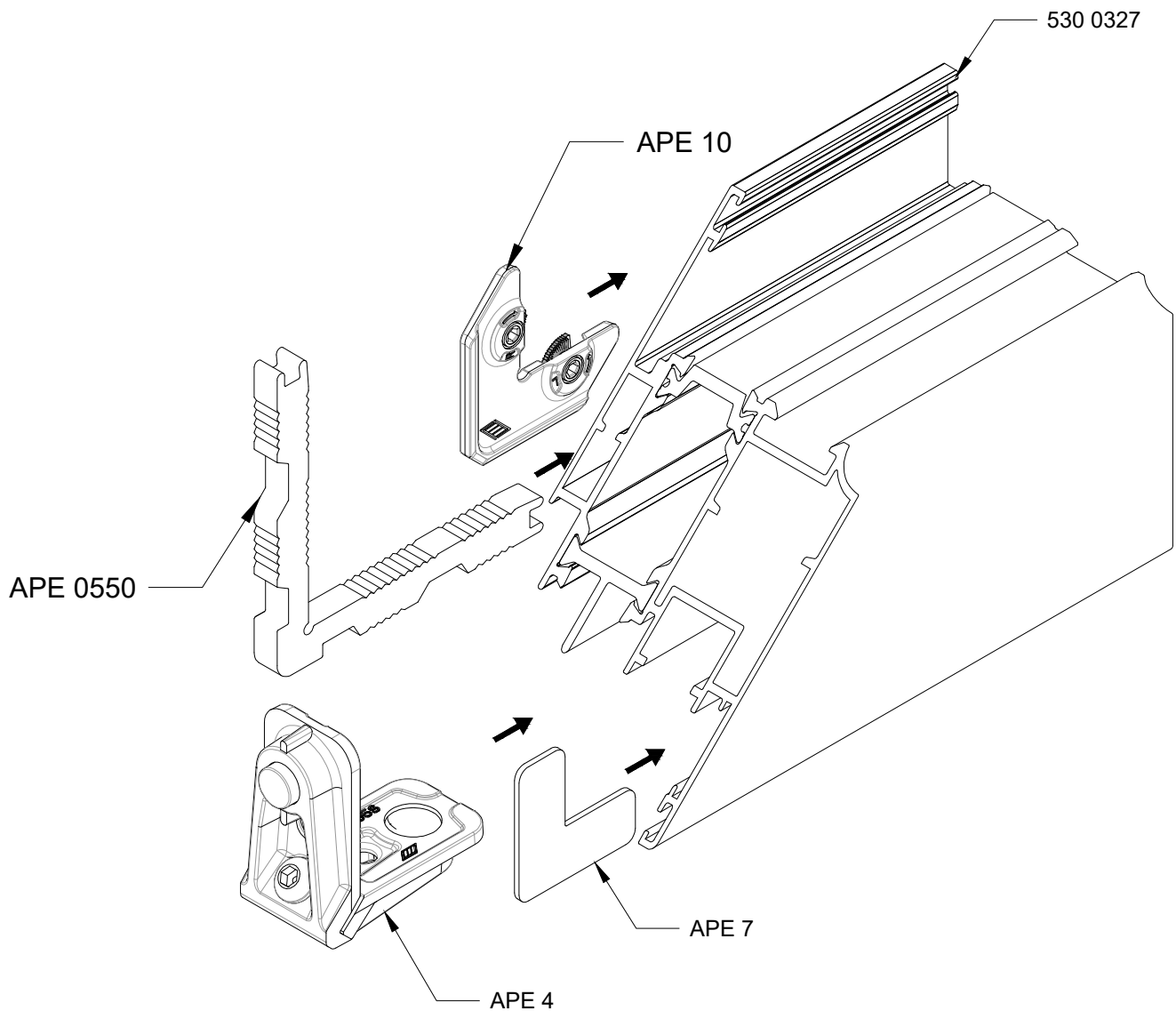
**corner connection 530 0326 sash  
with mechanical corner**



**corner connection 530 0326 sash  
with press corner**

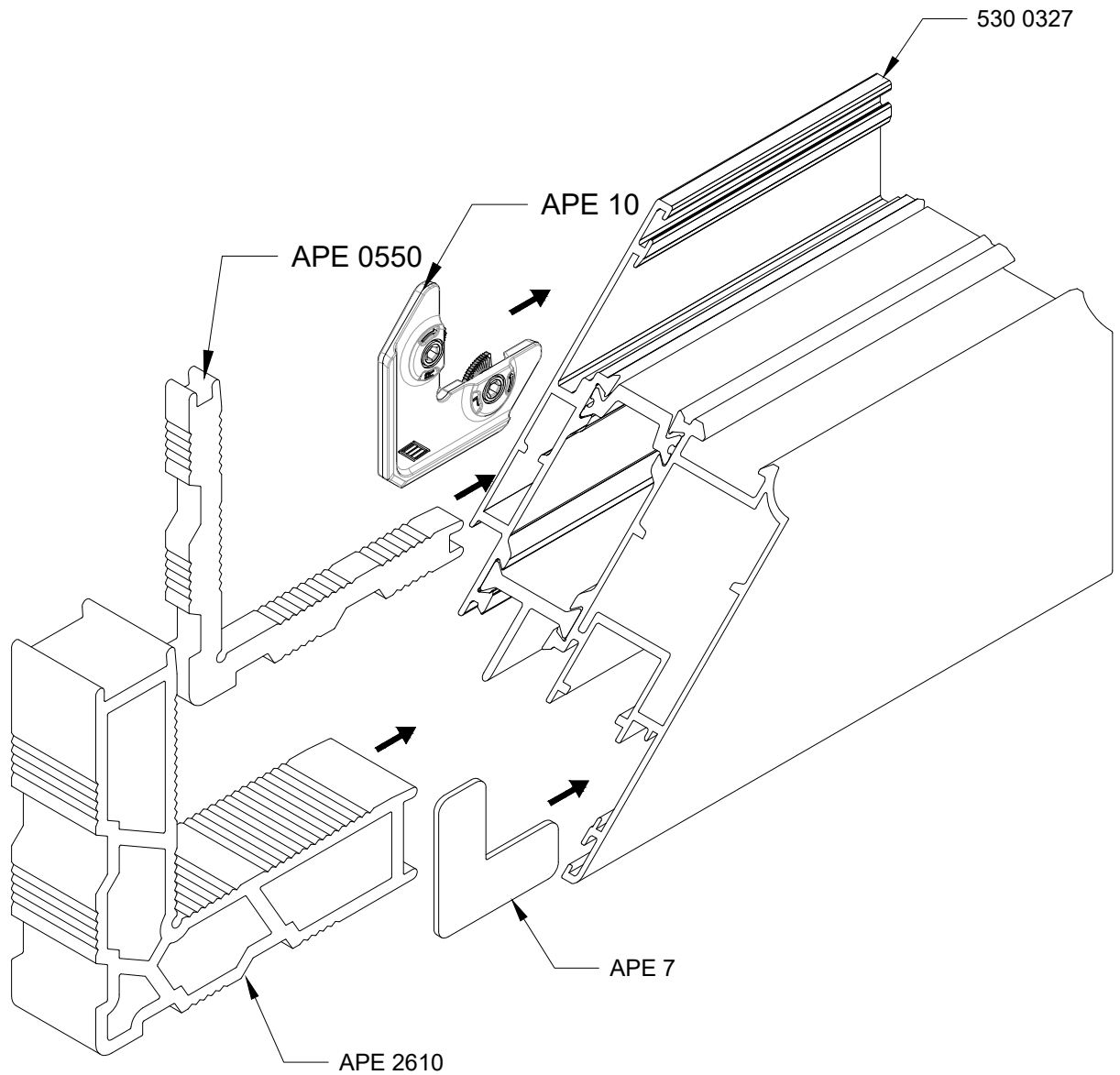


**corner connection 530 0327 sash**  
**with mechanical corner**

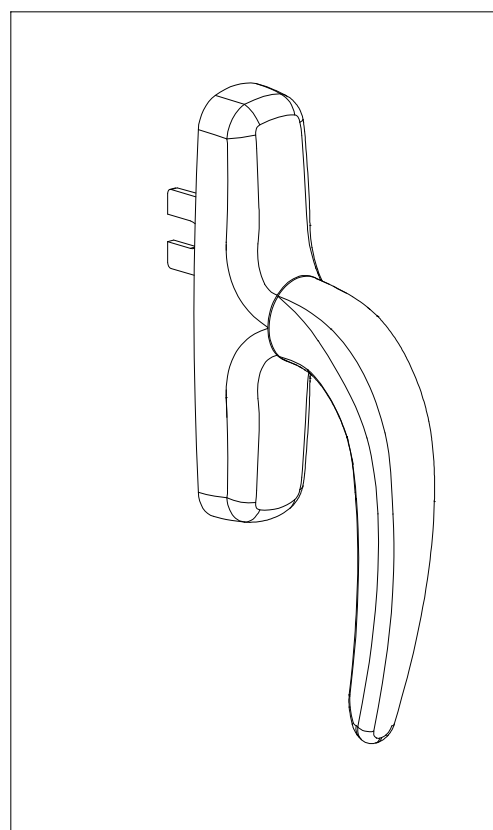
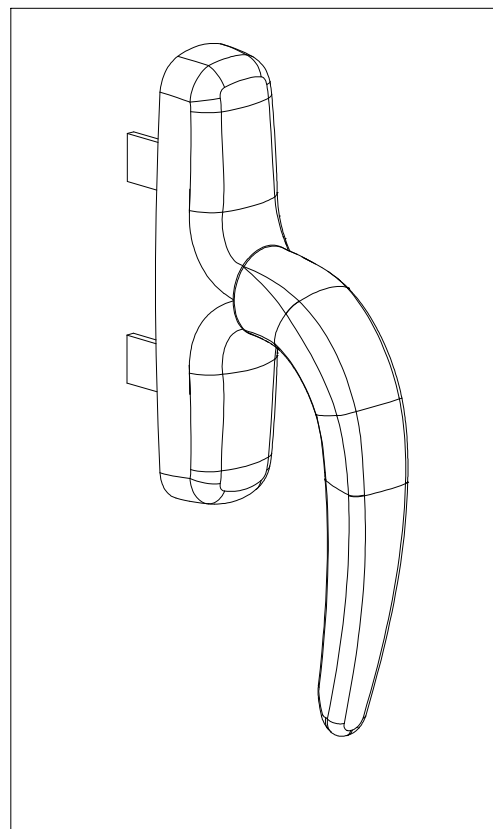
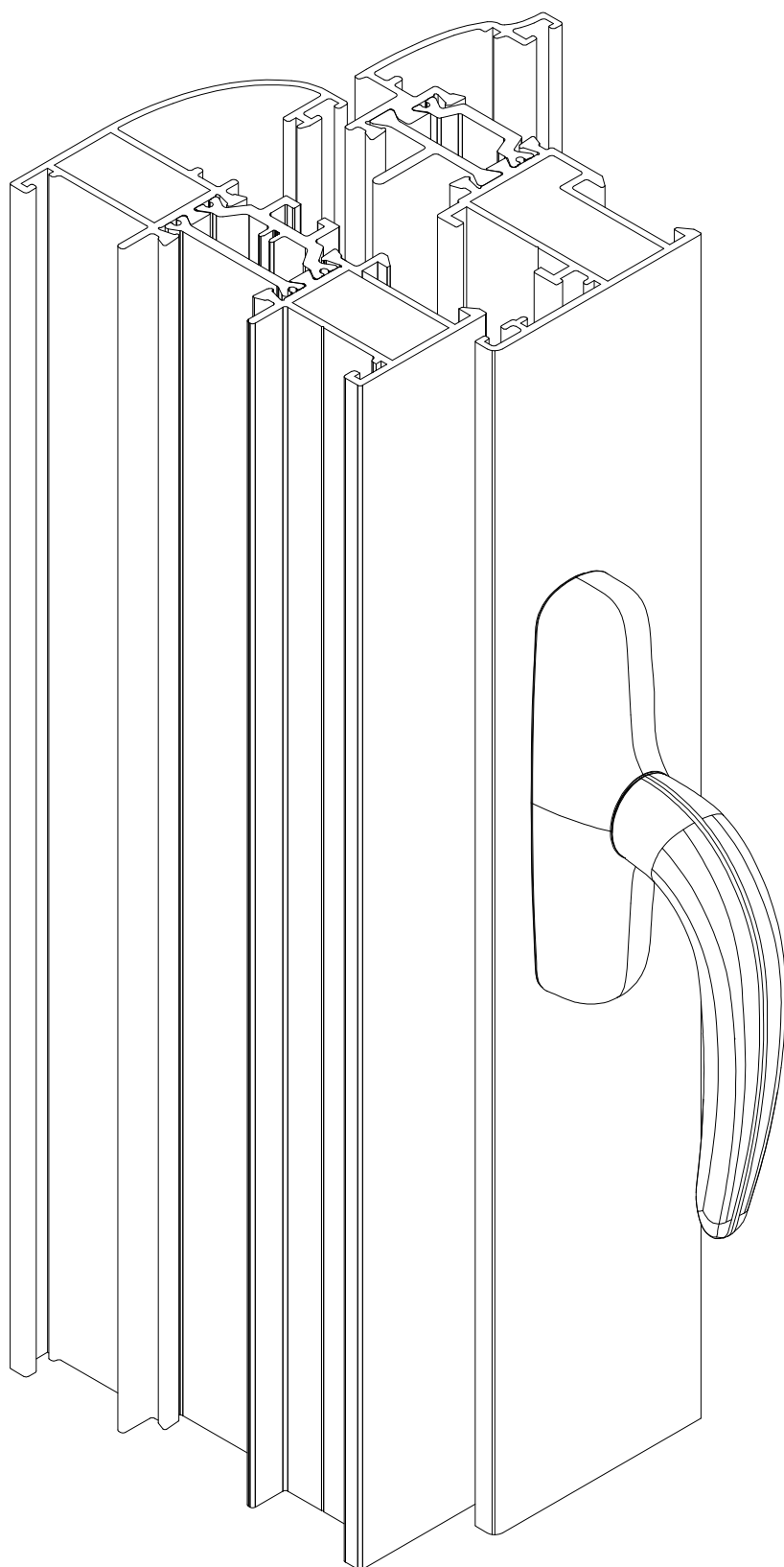




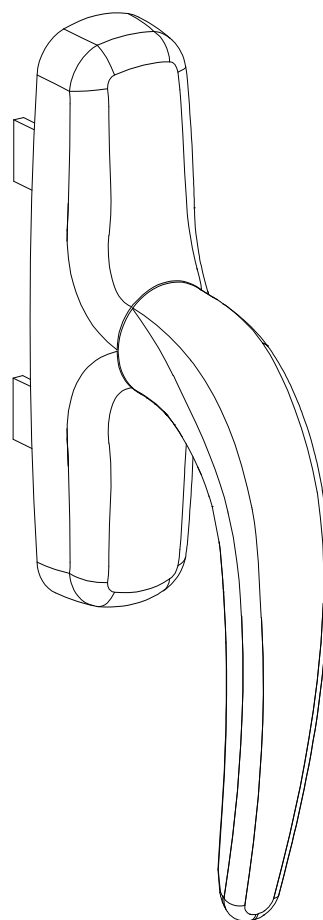
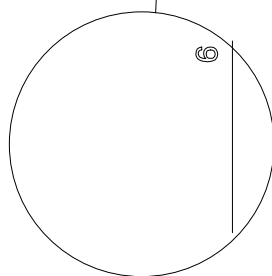
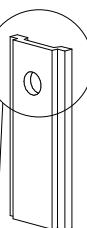
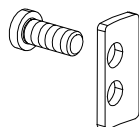
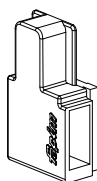
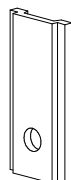
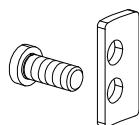
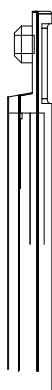
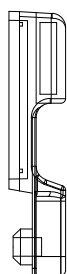
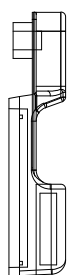
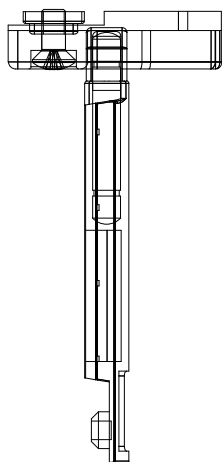
**corner connection 530 0327 sash  
with press corner**



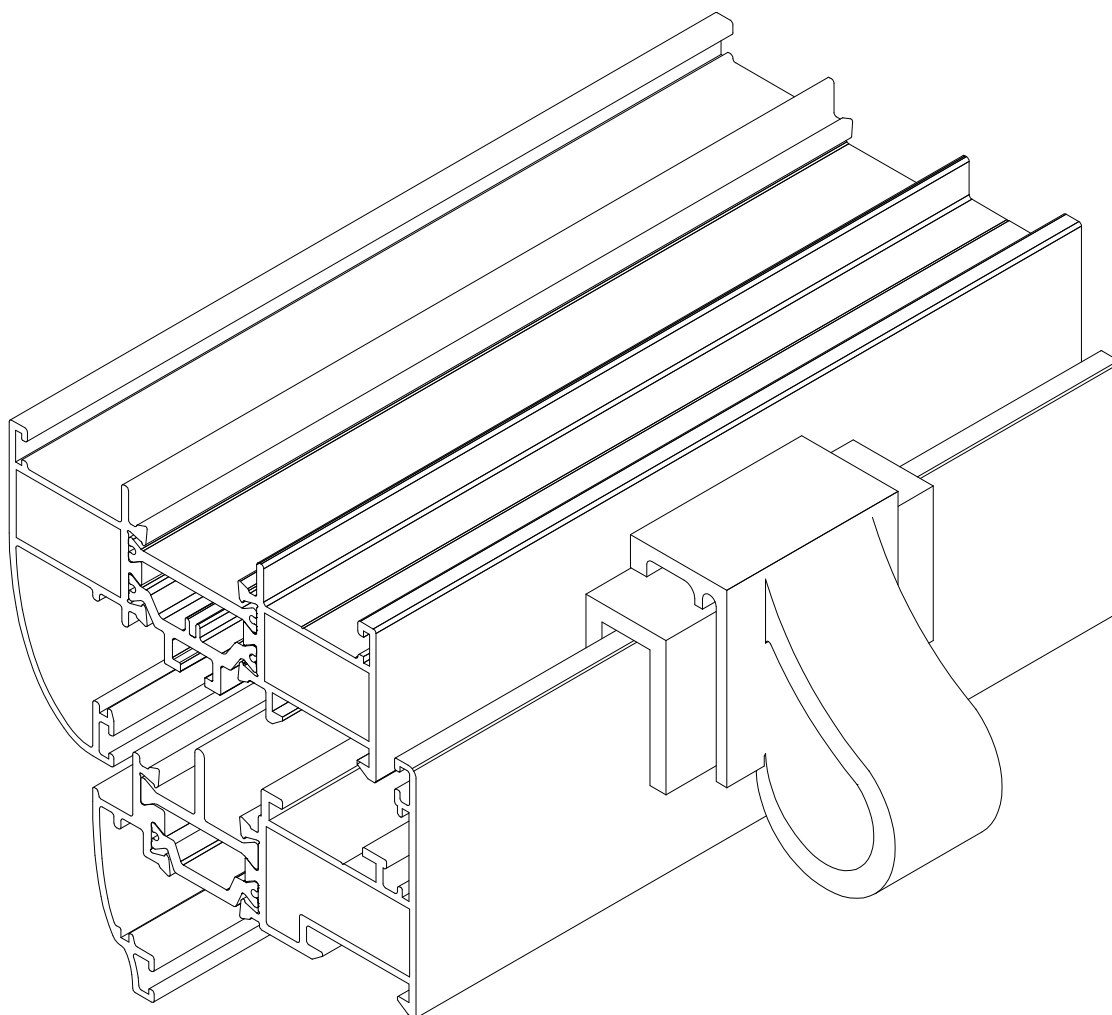
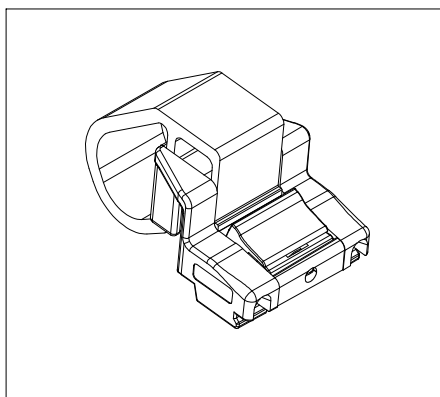
*handles for windows*



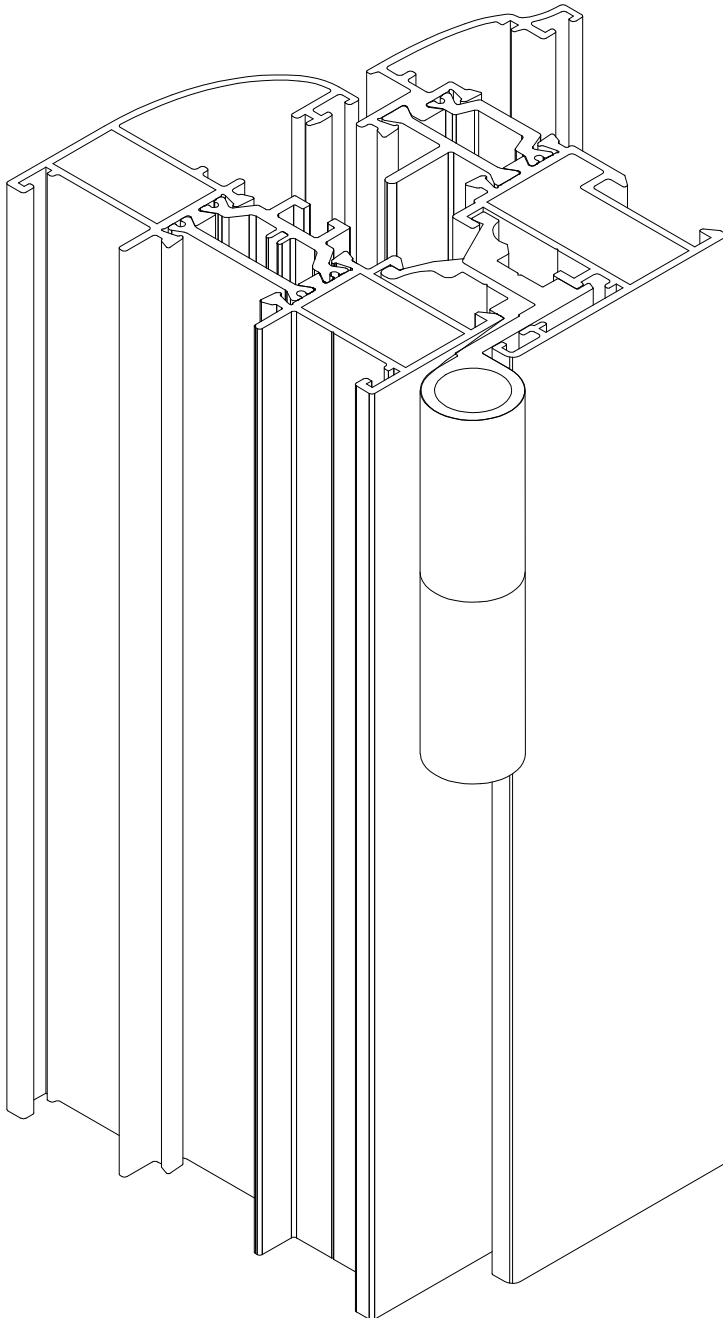
*handles for windows*



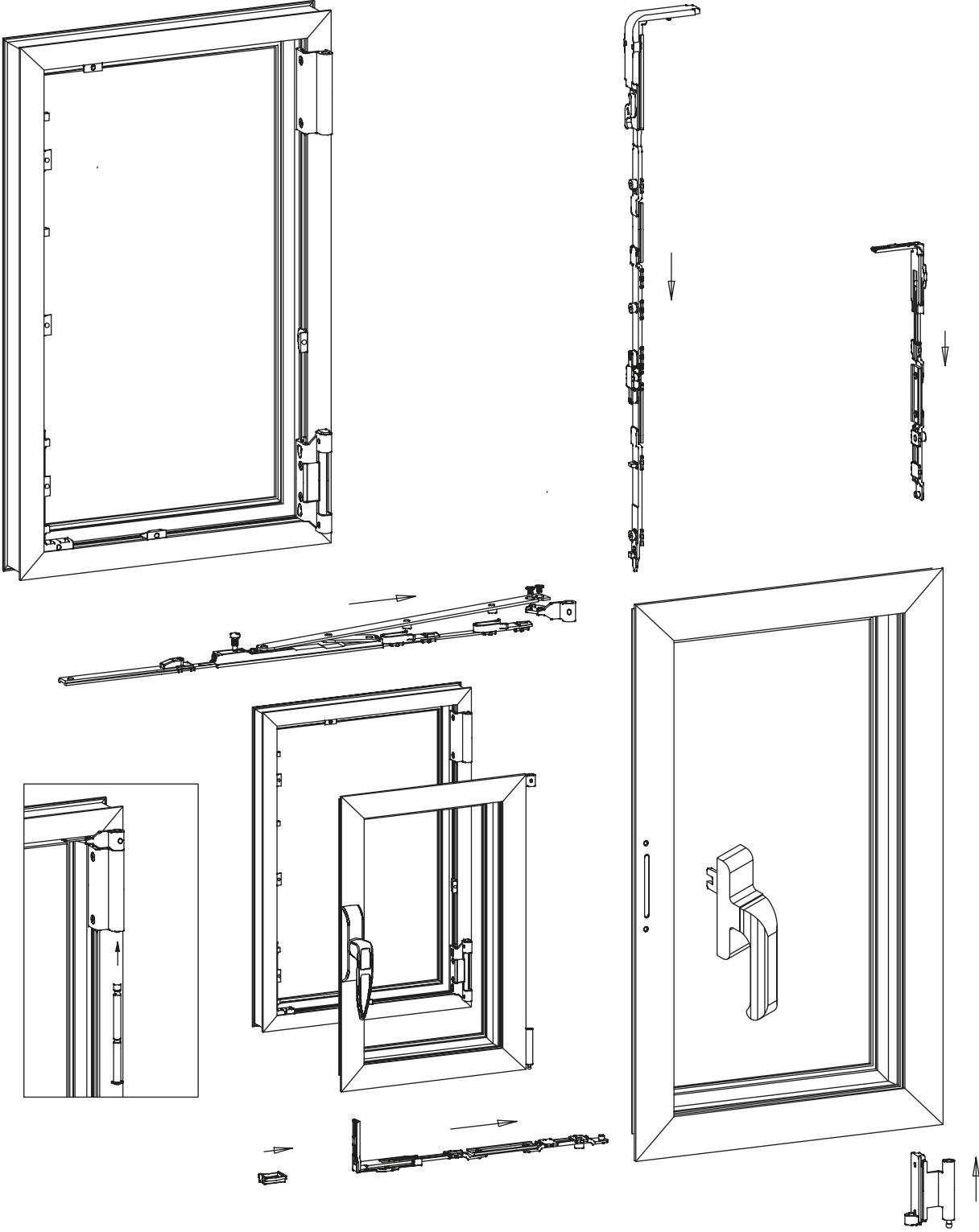
*latch for window*



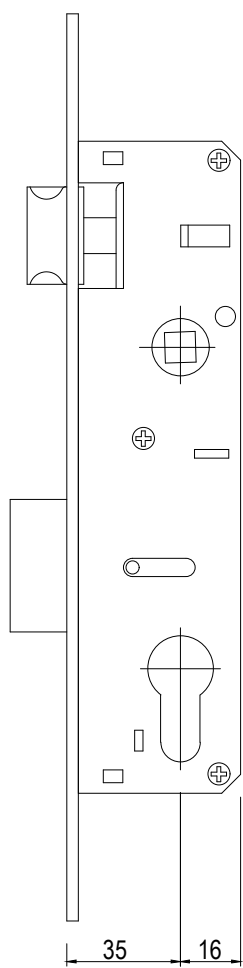
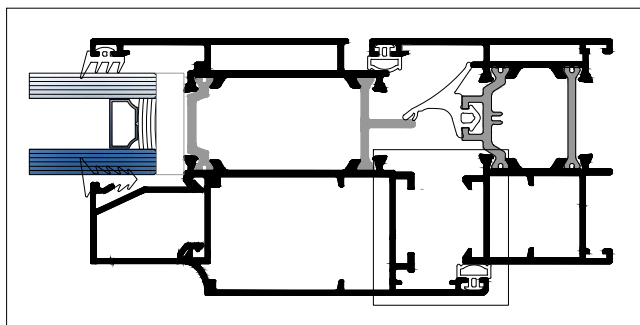
*hinges for windows*



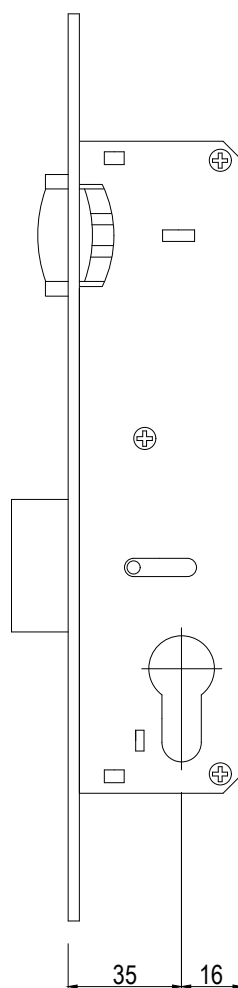
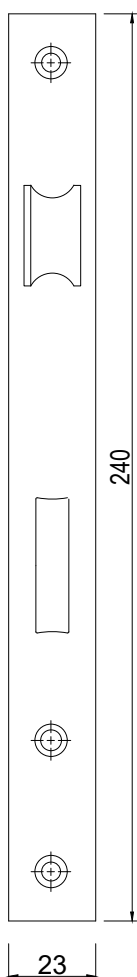
*two-way mechanism - "EURO CAMERA"*



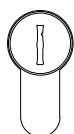
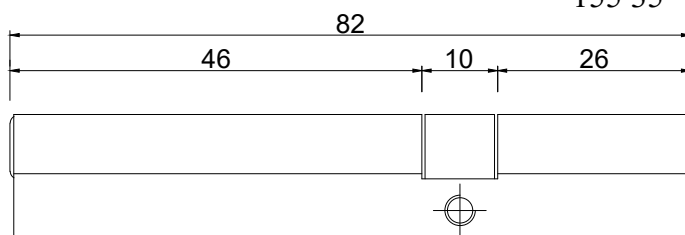
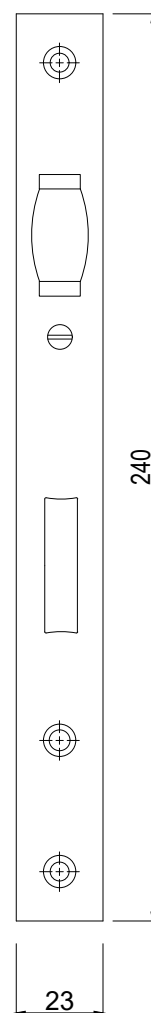
**Door lock**



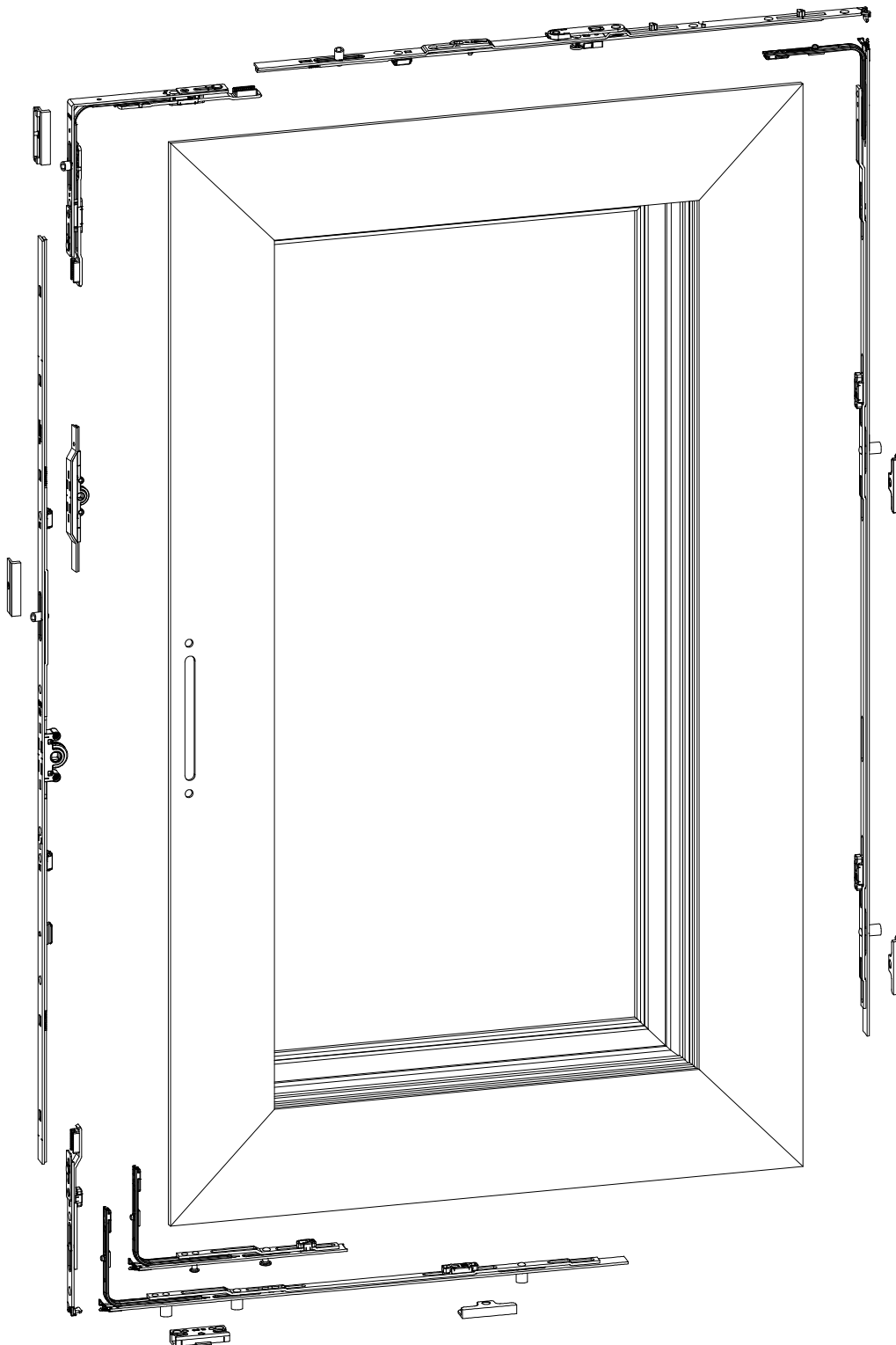
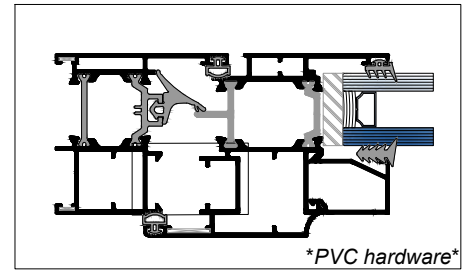
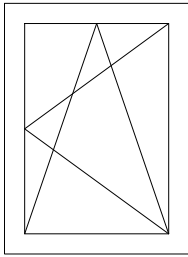
153 35



155 35

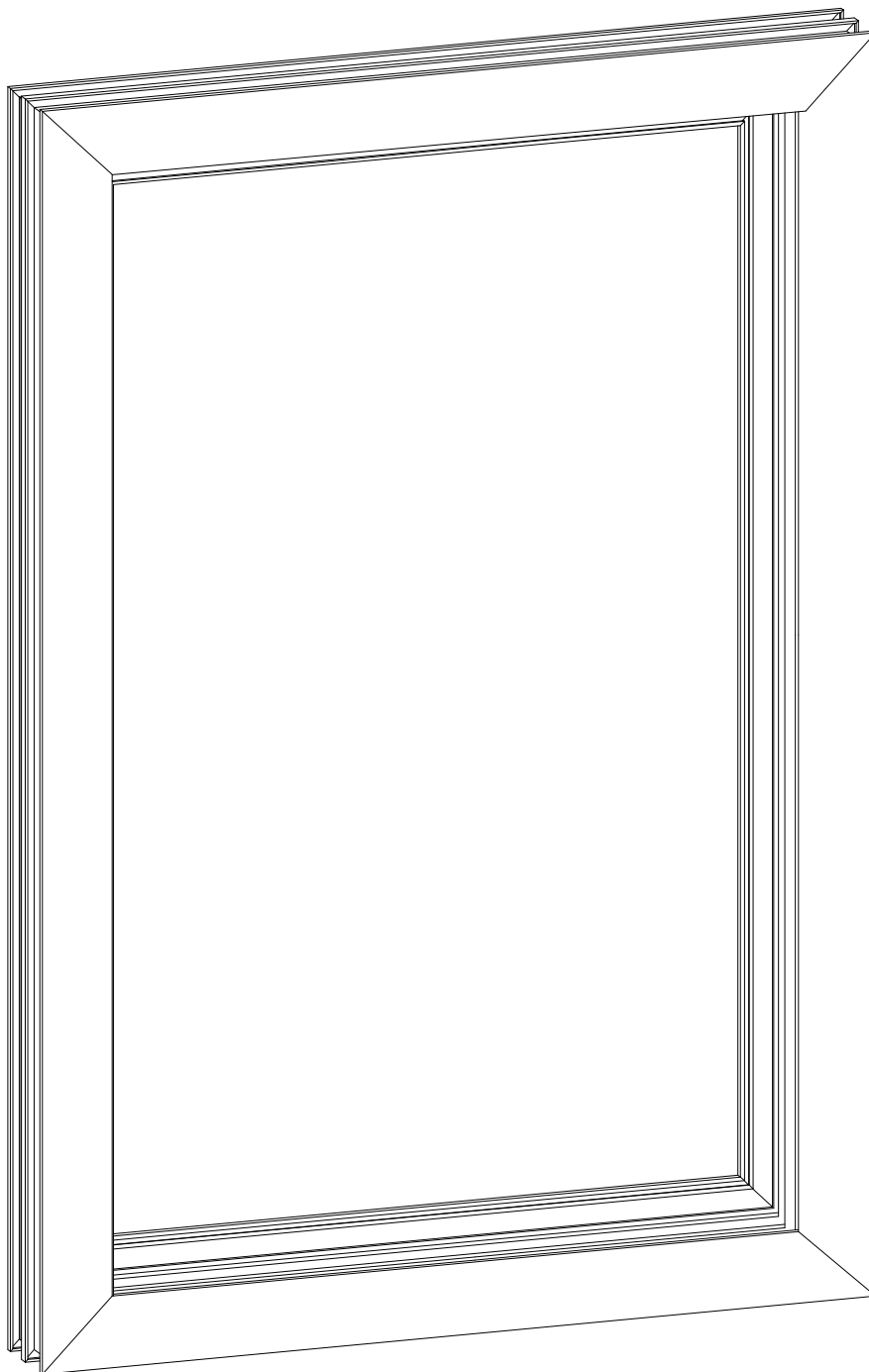
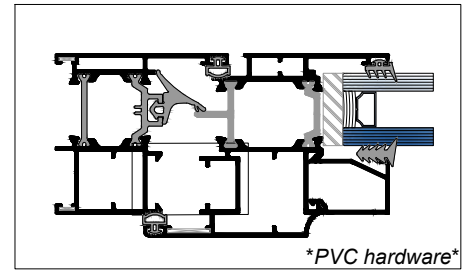
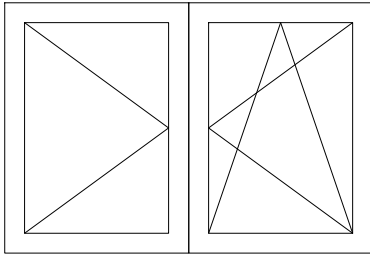


**Perimetrical lock for windows**  
**tilt&turn -1 sash**

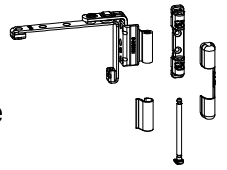




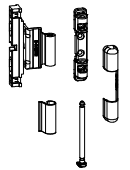
*Perimetrical lock for windows frame*



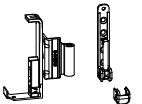
Side hung sash hinge



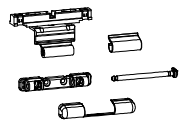
Middle sash hinge



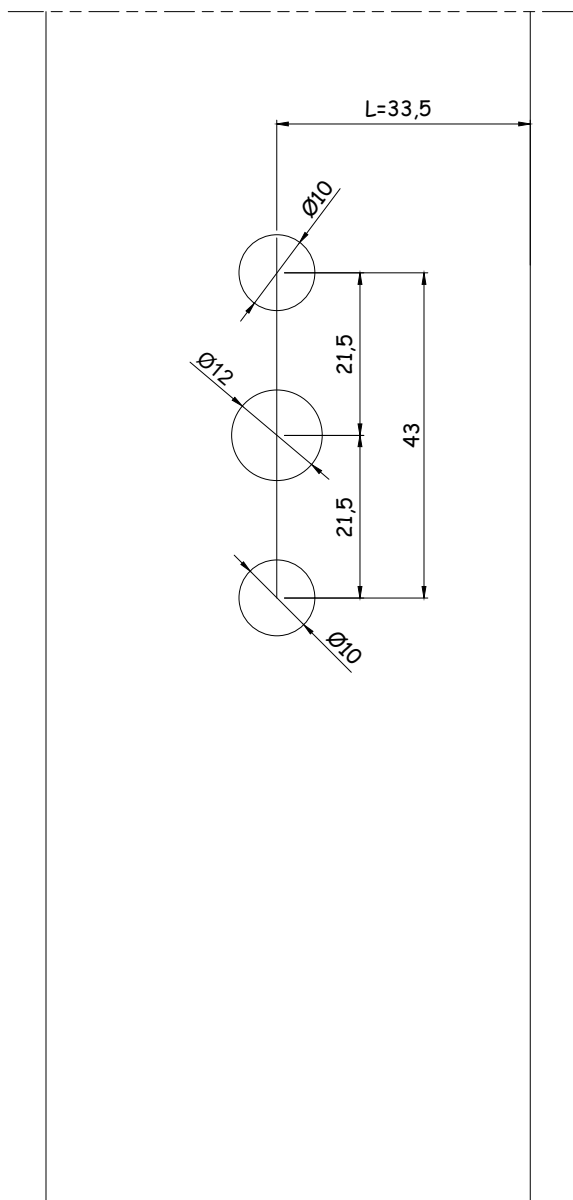
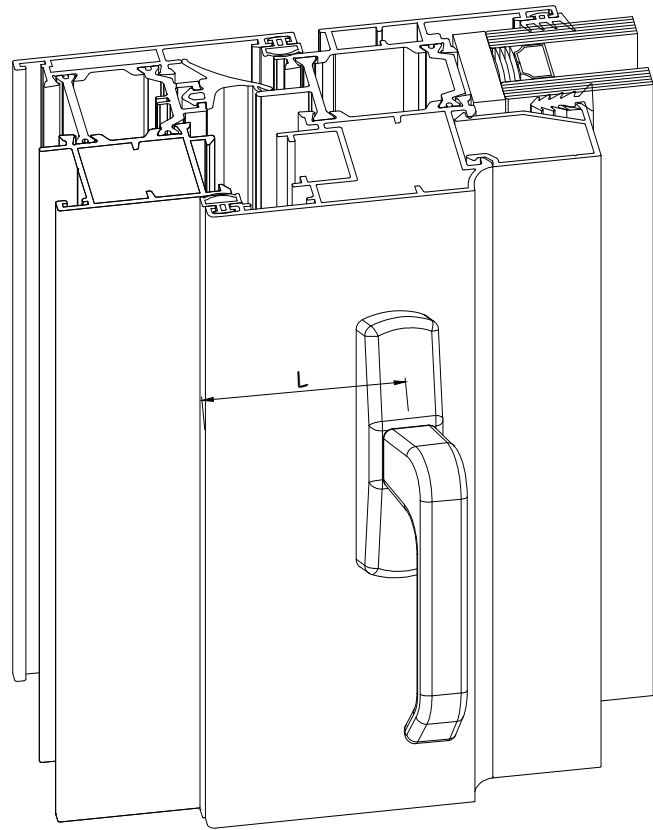
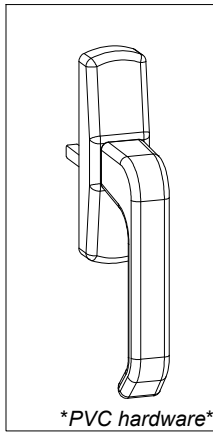
Corner bearing sash hinge



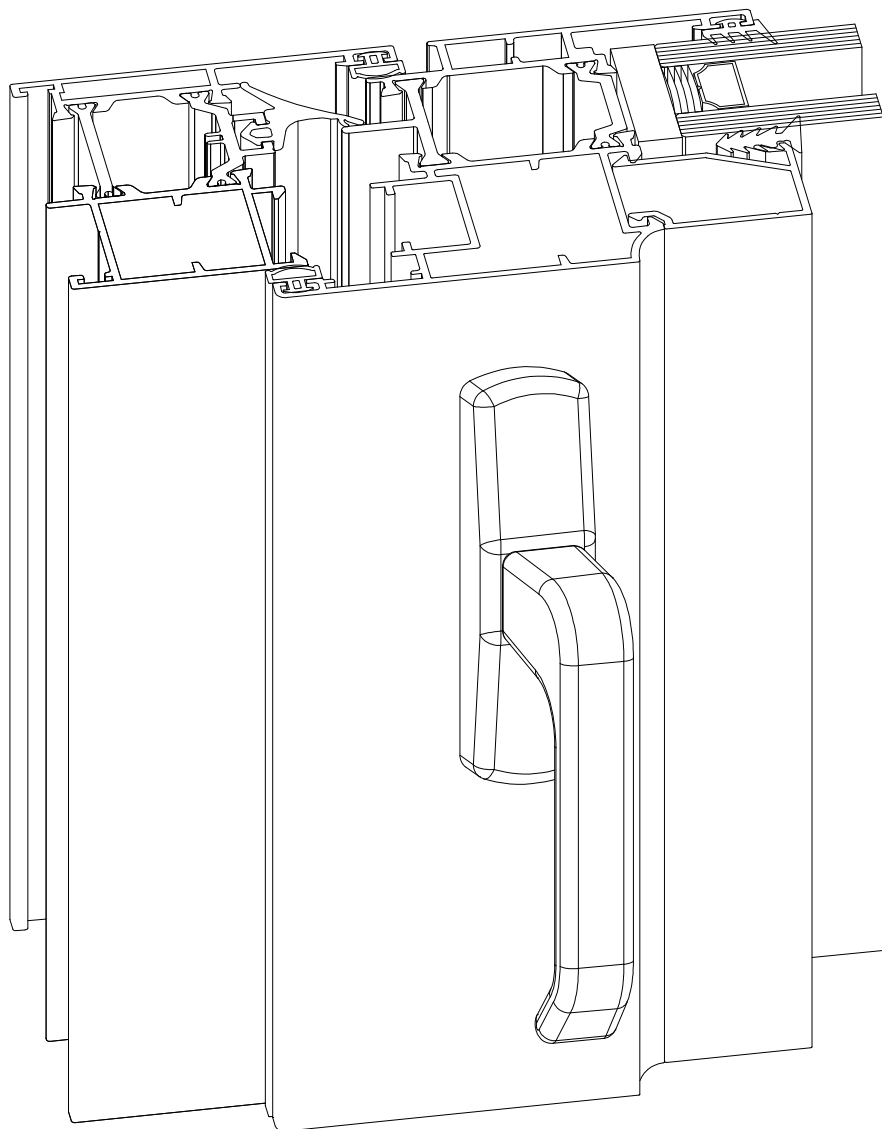
Tilt sash hinge



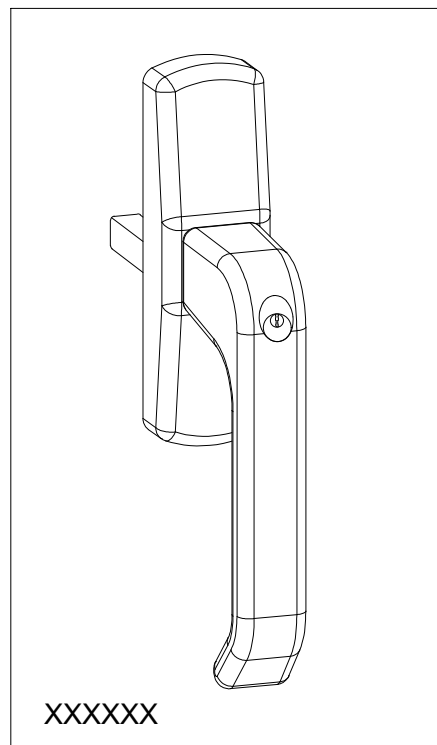
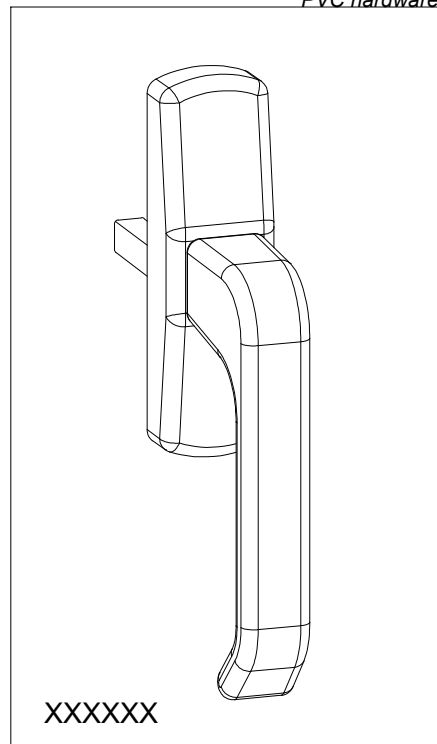
*Milling & drilling dimensions for handle*



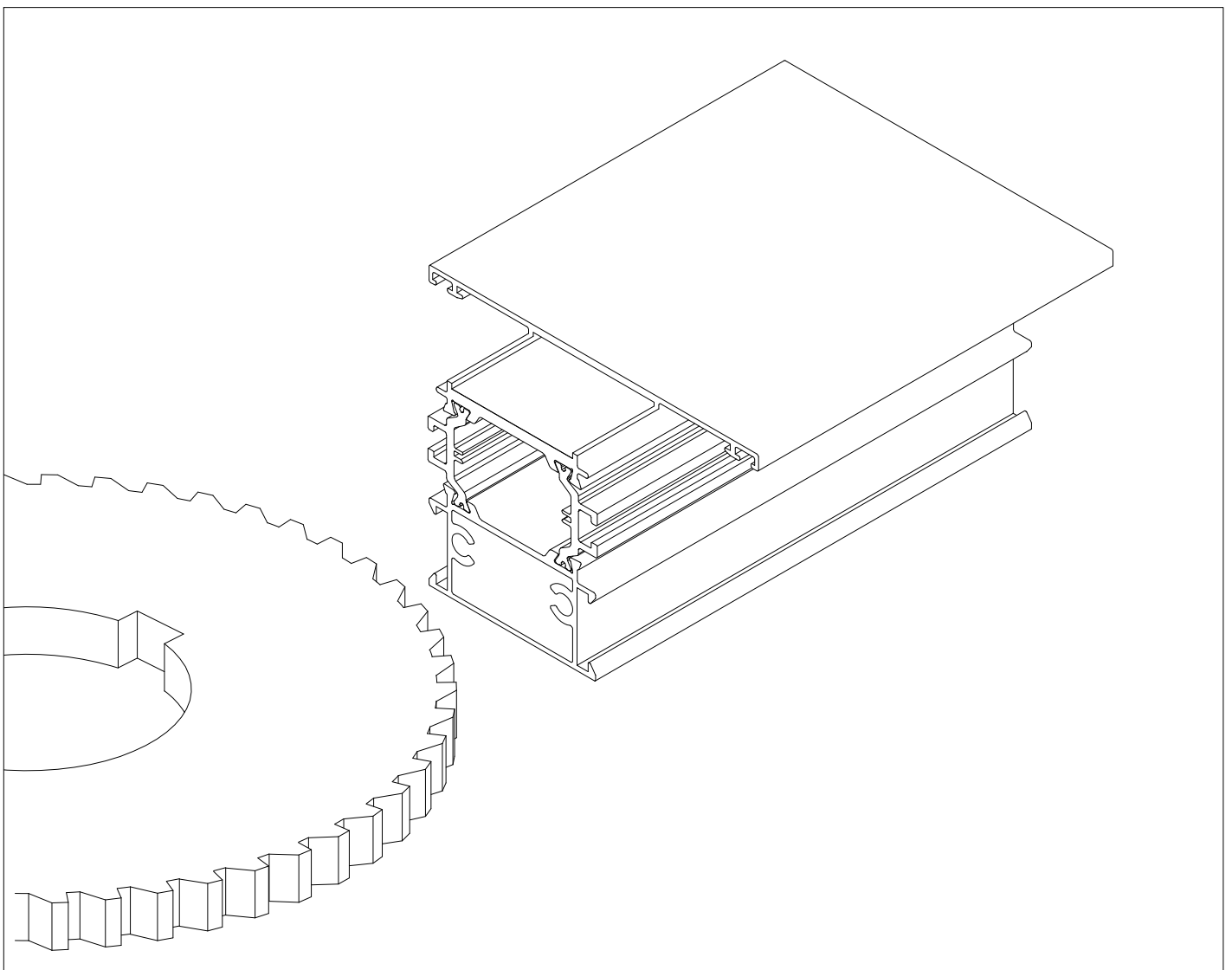
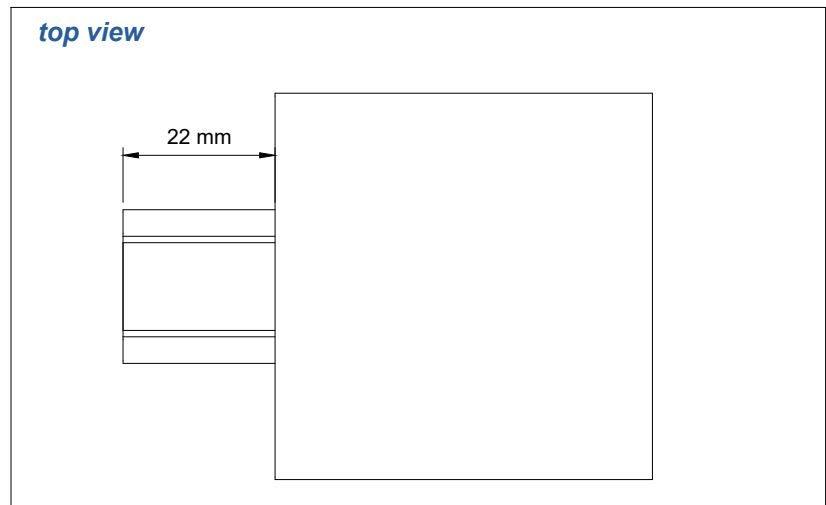
*Handles*



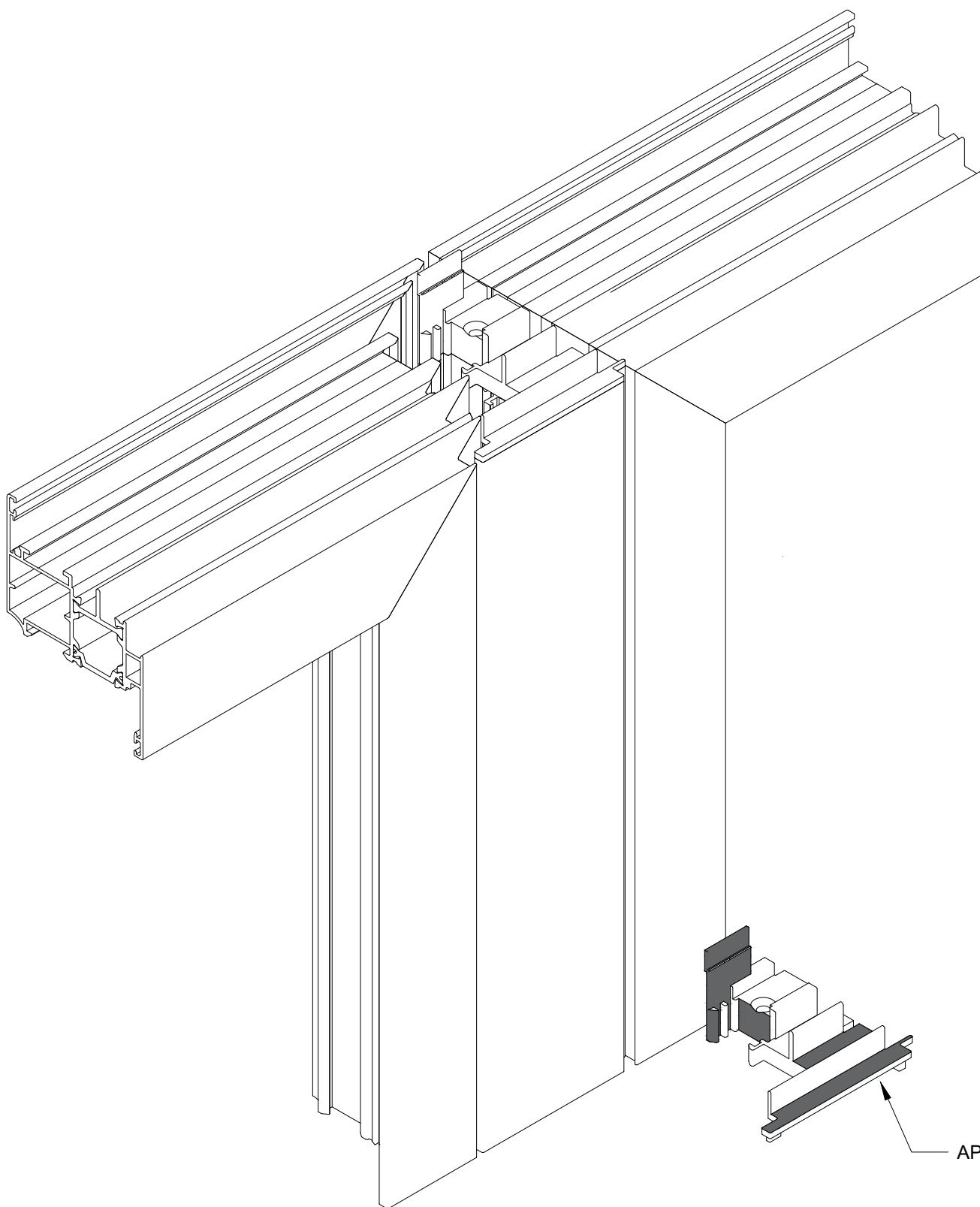
*\*PVC hardware\**



## Milling of the mullion

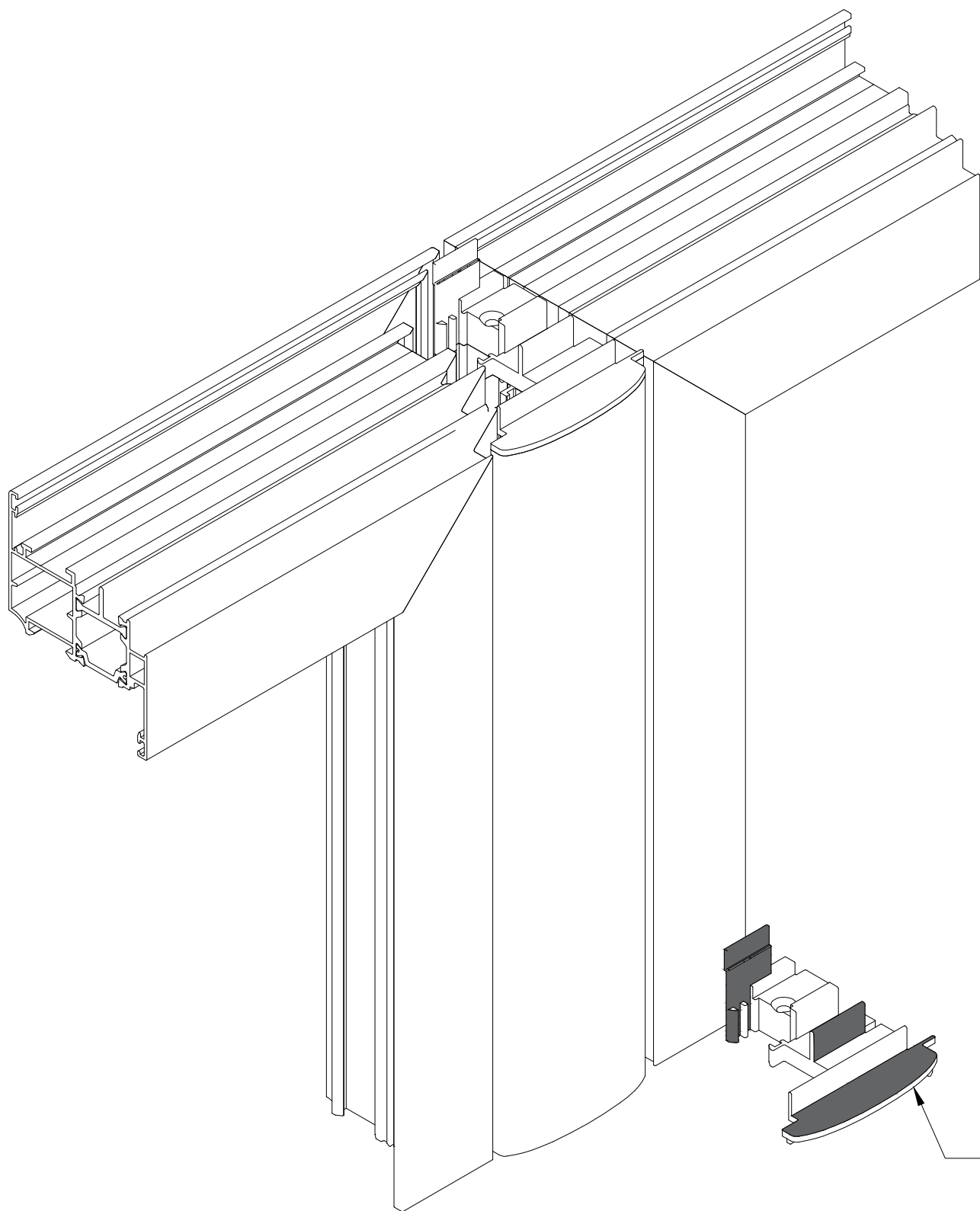


**Cap for overhung 530 0305**



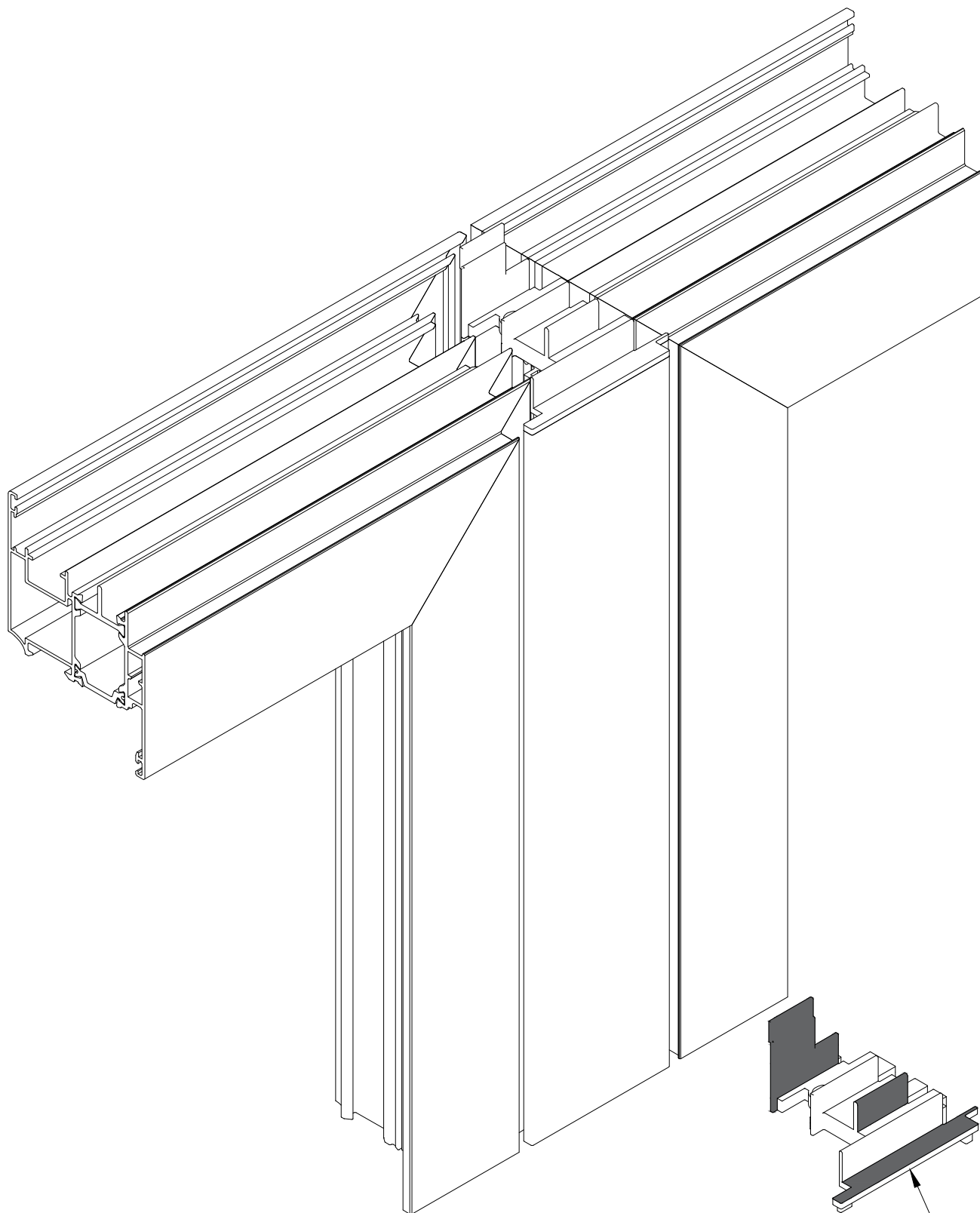
APE 310

**Cap for overhung 530 0310**



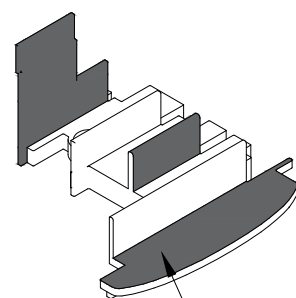
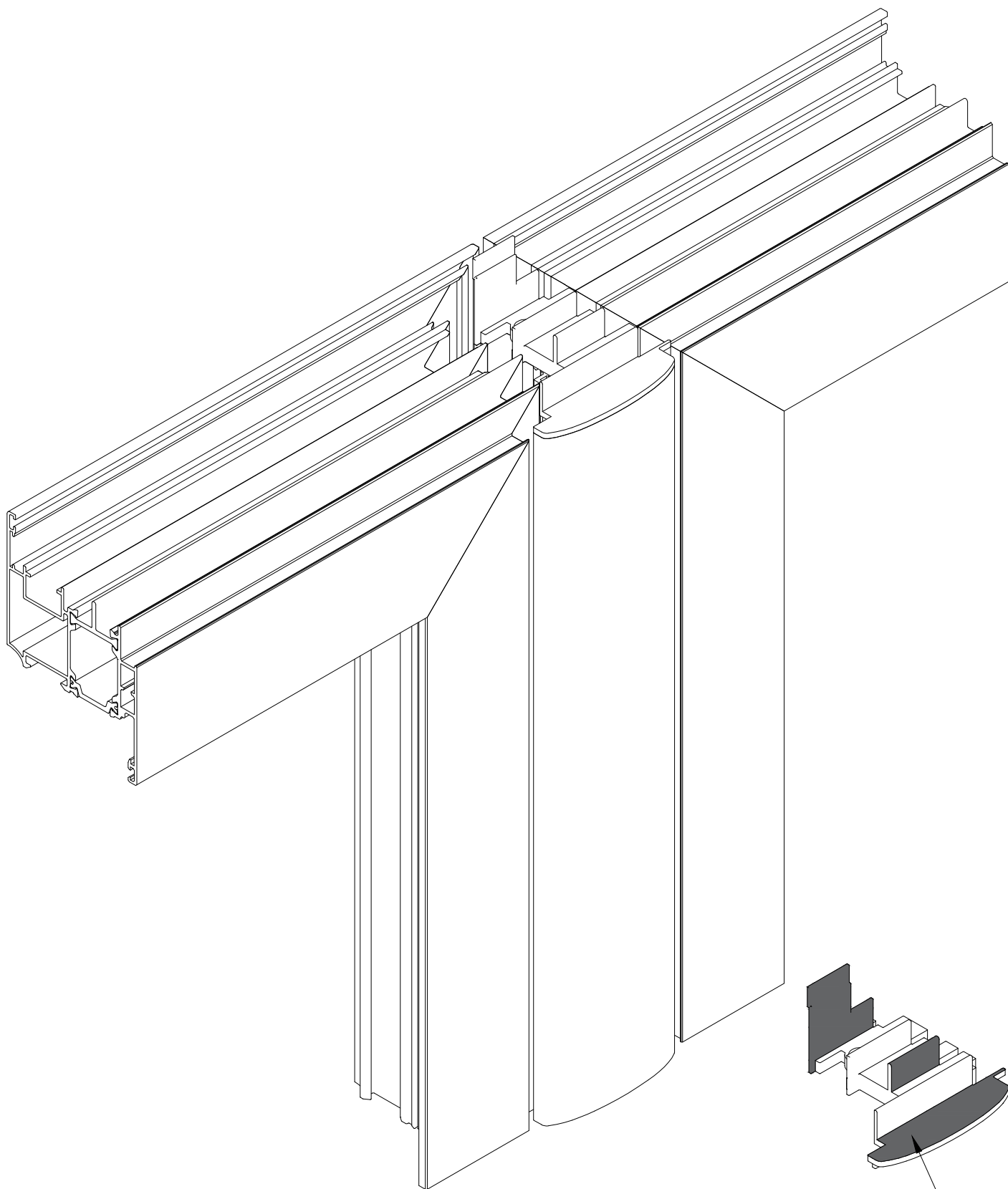
APE 313

**Cap for overhung 530 0328**



APE 312

**Cap for overhung 530 0329**



APE 311